

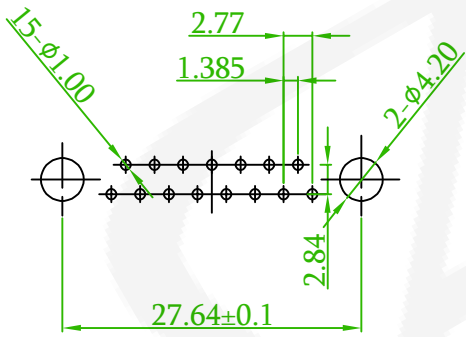
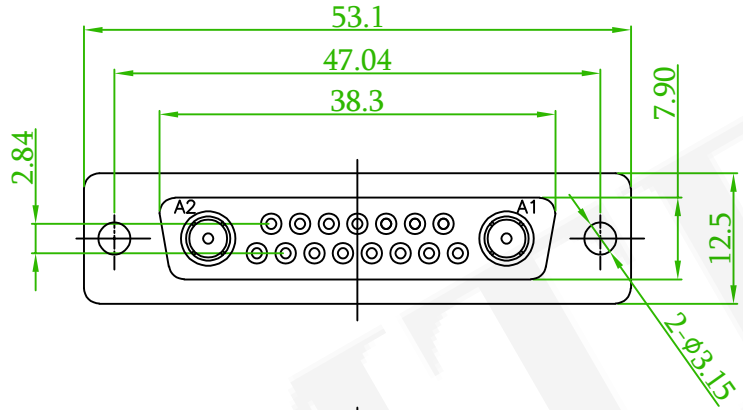
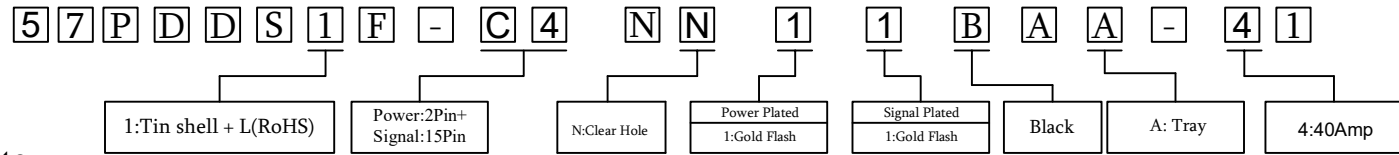
SPECIFICATIONS

Current Rating: Signal Pin: 3 AMP
 Power Pin: 40 AMP
 Insulation Resistance: 1000MΩ Min.
 Contact Resistance: 30mΩ Max.
 Dielectric Voltage: 1000V AC for one minute
 Operating Temperature: -55° ~ +105°

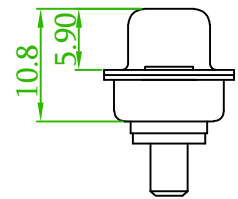
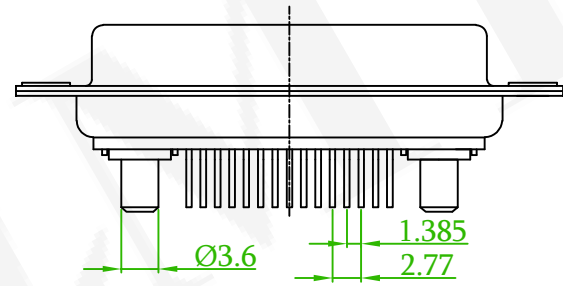
MATERIAL

Insulator: Thermoplastic, UL94V-0
 Contact: Brass

ORDER INFORMATION



RECOMMEND P.C.B. LAYOUT
TOP VIEW



 糧德精密有限公司 Amtek Technology Co., Ltd. TEL: 886-2-2260-6878 FAX: 886-2-2260-8030	品名 TITLE	Power Conn				
	品號 PART NO.	57PDDS1F-C4NN11BAA-41			繪圖 DRAWN	Alice 2020/06/19
	圖號 DRAWING NO.	GW006-AL018	版本 REV.	A	核對 CHECKED	Josh 2020/06/19
	客戶品號 CUSTOMER P/N		比例 SCALE	None	承認 APPROVED	Josh 2020/06/19
	公差 TOLERANCE	.X ± 0.25 .XX ± 0.13	單位 UNIT	mm	THIRD ANGLE PROJECTION	

REV.	ECN NO. OR DESCRIPTION	REVISED	DATE