

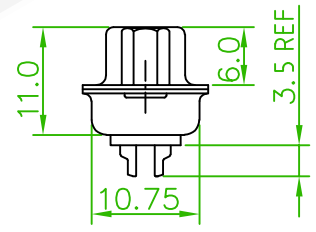
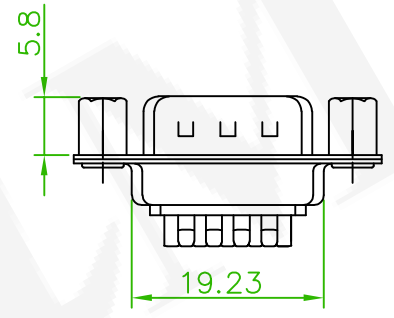
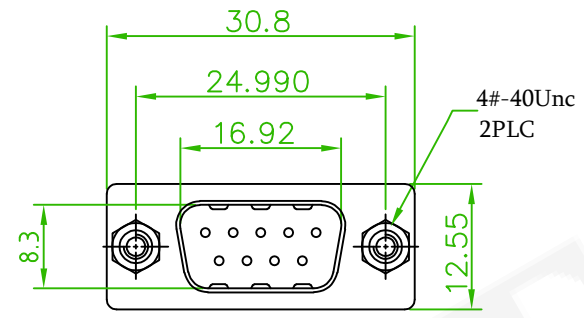
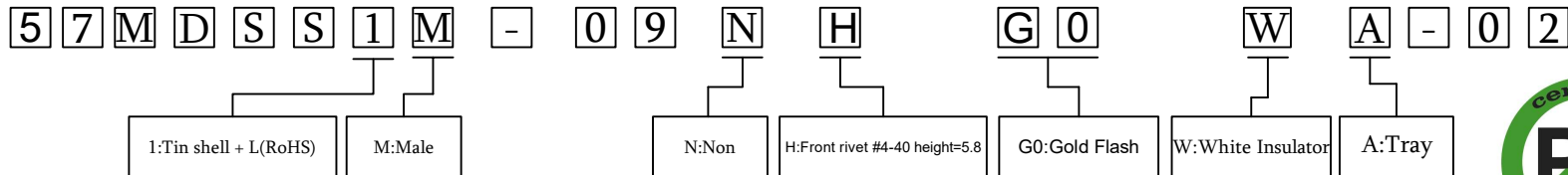
**SPECIFICATION**

Current Rating: 3 AMP  
 Insulation Resistance: 1000MΩ Min.  
 Contact Resistance: 30mΩ Max.  
 Dielectric Voltage: 500V AC for one minute  
 Operation Temperature: -55°C to +105°C

**MATERIAL**

Insulator: PBT  
 Contact Pin: Copper Alloy  
 Shell: SPCC.  
 Rivet: Copper Alloy

**ORDER INFORMATION**



REV.	ECN NO. OR DESCRIPTION	REVISED	DATE
------	------------------------	---------	------

糧德精密有限公司  
 Amtek Technology Co., Ltd.  
 TEL: 886-2-2260-6878  
 FAX: 886-2-2260-8030

品名 TITLE	D-SUB MACHINE PIN SOLDER TYPE				
品號 PART NO.	57MDSS1M-09NHG0WA-02			繪圖 DRAWN	Alice 2023/07/13
圖號 DRAWING NO.	GW054-GY056	版本 REV.	A	核對 CHECKED	Josh 2023/07/13
客戶品號 CUSTOMER P/N		比例 SCALE	None	承認 APPROVED	Josh 2023/07/13
公差 TOLERANCE	.X ±0.35 .XX ±0.25	.XXX ±0.15 ANGLES: ±2°	單位 UNIT	mm	THIRD ANGLE PROJECTION