

SPECIFICATION

Current Rating: 3 AMP
 Insulation Resistance: 1000MΩ Min.
 Contact Resistance: 30mΩ Max.
 Dielectric Voltage: 500V AC for one minute
 Operation Temperature: -55°C to +105°C

MATERIAL

Insulator: PBT,UL94V-0
 Contact Pin: Copper Alloy
 Shell: SPCC
 Boardlock: Copper Alloy
 Screw: Iron

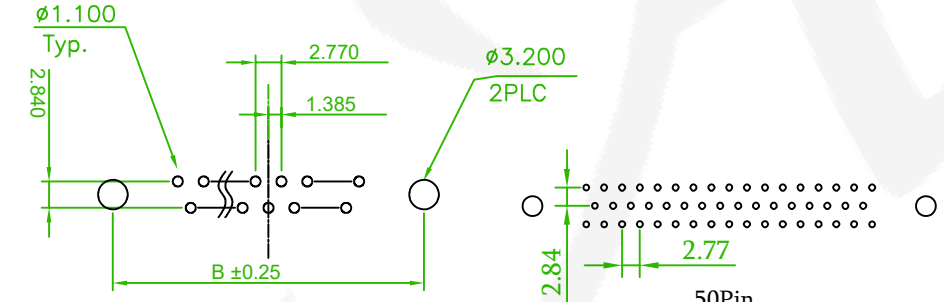
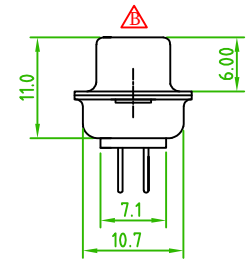
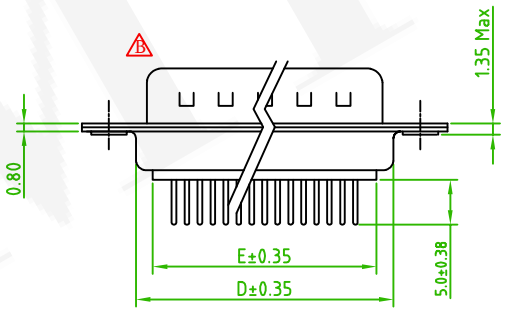
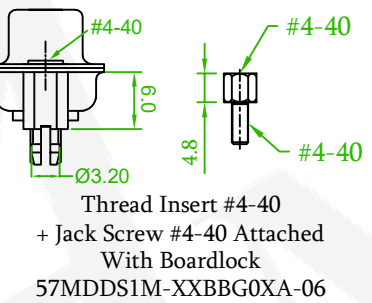
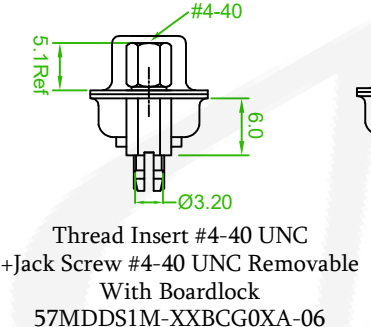
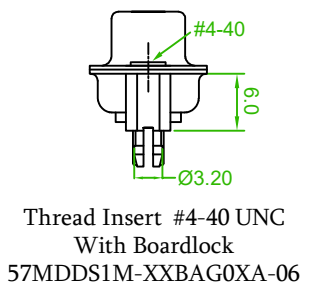
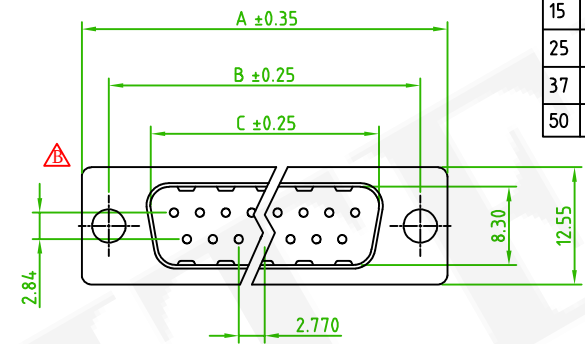
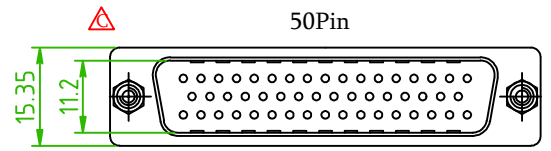
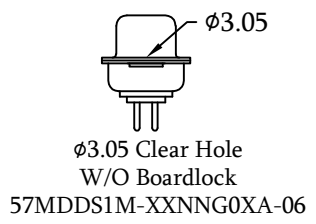
ORDER INFORMATION

5 7 M D D S X M - X X X X

1: Tin shell + L(RoHS)	M: Male	No. of Contacts	Code	Boardlock	Mounting	G0: Gold Flash	B: Black	A: Tray
2: Nickel shell + L(RoHS)			NN	W/O	Ø3.05 Clear Hole		W: Natural	
			BA	With	Thread Insert #4-40 UNC			
			BB	With	Thread Insert #4-40+Jack Screw #4-40 Attached			
			BC	With	Thread Insert #4-40 UNC +Jack Screw #4-40 UNC Removable			



No.	A	B	C	D	E
09	30.81	24.99	16.92	19.15	15.60
15	39.14	33.32	25.30	27.65	24.60
25	53.04	47.04	38.96	41.10	37.80
37	69.32	63.50	55.42	57.33	54.50
50	67.00	61.10	52.80	55.04	



Recommended PCB Layout (PCB TOLERANCE ±0.05)

Recommended PCB Layout (PCB TOLERANCE ±0.05)

AMTEK 糧德
 2023.02.10
 Released DCC

△x2	Add the 50P options	Benson	2023/02/10
△x12	ECN 221224: Revise the drawing	Alice	2023/01/18
REV.	ECN NO. OR DESCRIPTION	REVISED	DATE

糧德精密有限公司
 Amtek Technology Co., Ltd.
 TEL: 886-2-2260-6878
 FAX: 886-2-2260-8030

品名 TITLE	D-SUB MACHINE PIN V/T DIP TYPE				頁數 Page	1/1
品號 PART NO.	△ 57MDDSXM-XXXXG0XA-06			繪圖 DRAWN	Alice 2022/02/23	
圖號 DRAWING NO.	GW054-AB002	版本 REV.	C	核對 CHECKED	Josh 2022/02/23	
客戶品號 CUSTOMER P/N		比例 SCALE	None	承認 APPROVED	Josh 2022/02/23	
公差 TOLERANCE	.X ±0.35 .XX ±0.25	單位 UNIT	mm	THIRD ANGLE PROJECTION		