

SPECIFICATION

Current Rating: 3 AMP
 Insulation Resistance: 1000MΩ Min.
 Contact Resistance: 30mΩ Max.
 Dielectric Voltage: 500V AC at sea level $\triangle B$

ORDER INFORMATION

5 7 M D D S X F - X X N N G 0 B A - 0 3

1: Tin shell + L(RoHS)
 2: Nickel shell + L(RoHS)

No. of Contacts
 (See Table)

G0: Gold Flash

B: Black

A: Tray

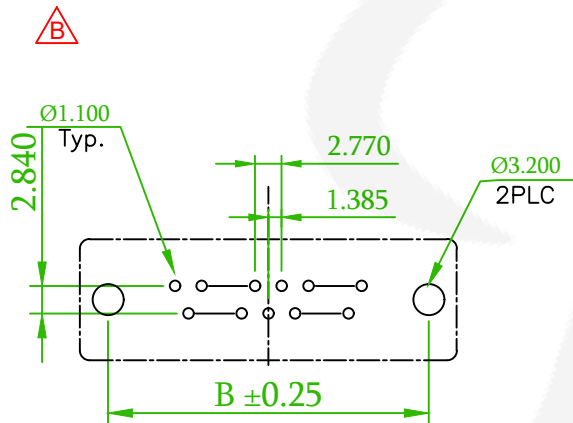
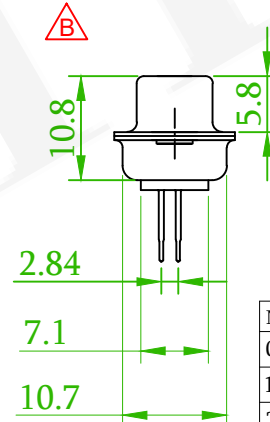
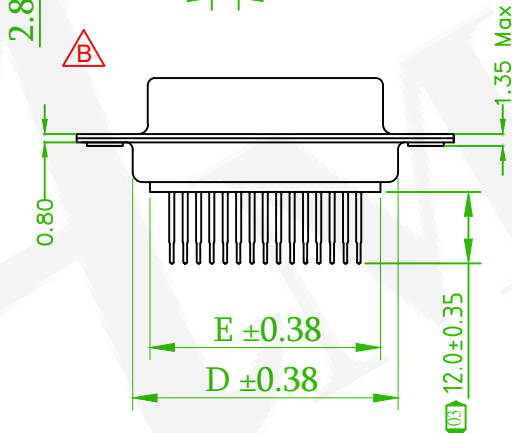
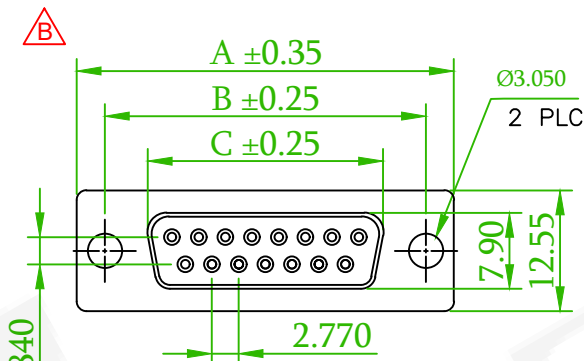


MATERIAL

Insulator: PBT,UL94V-0
 Contact Pin: Copper Alloy
 Shell: SPCC.
 Screw: Iron.
 Boardlock: Copper Alloy.

NOTE

Symbol " \square 03" means serial as Order Information shown



Recommended PCB Layout
 (PCB TOLERANCE ± 0.05)

No.	A	B	C	D	E
09	30.81	24.99	16.33	19.15	15.60
15	39.14	33.32	24.75	27.65	24.50
25	53.04	47.04	38.33	41.10	37.80
37	69.40	63.50	54.75	57.33	54.50

Old P/N: MDBD-FXX-A-12.0-L

糧德精密有限公司
 Amtek Technology Co., Ltd.
 TEL: 886-2-2260-6878
 FAX: 886-2-2260-8030

品名 TITLE	D-SUB MACHINE PIN V/T DIP TYPE				頁數 Page	1/1
品號 PART NO.	$\triangle B$ 57MDDSXF-XXNNG0BA-03			繪圖 DRAWN	Jeff 2012/12/06	
圖號 DRAWING NO.	GN010-GA972	版本 REV.	B	核對 CHECKED	Sharron 2012/12/06	
客戶品號 CUSTOMER P/N		比例 SCALE	None	承認 APPROVED	John 2012/12/06	
公差 TOLERANCE	.X ± 0.25 .XX ± 0.20	單位 UNIT	mm	THIRD ANGLE PROJECTION		

REV.	ECN NO. OR DESCRIPTION	REVISED	DATE
$\triangle B$ x8	ECN NO. 230101 Revise the drawing	Rex	2023/01/17