

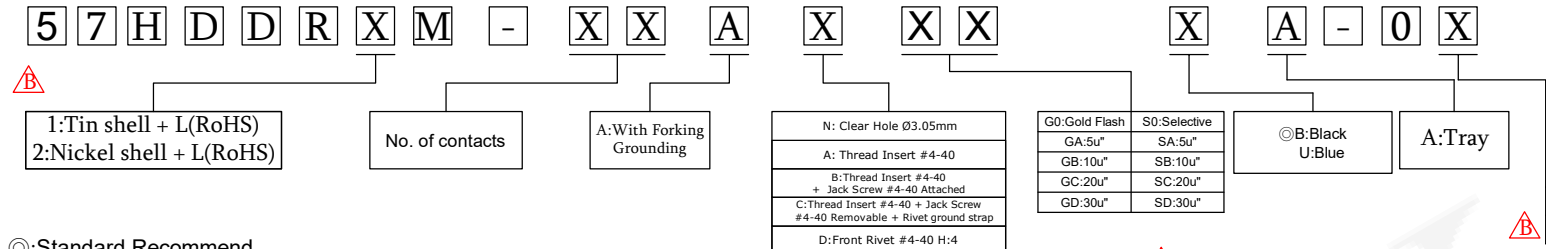
SPECIFICATIONS

Current Rating: 3 AMP
 Insulation Resistance: 1000MΩ Min.
 Contact Resistance: 20mΩ Max.
 Dielectric Voltage: 1000V AC for one minute
 Operation Temperature: -55°C to +105°C

MATERIAL

Insulator: PBT+30% G.F., UL94V-0
 Contact: Brass
 Shell: Steel
 Clinch Nut : Brass, Nickel Plated
 Screwlock : Brass, Nickel Plated

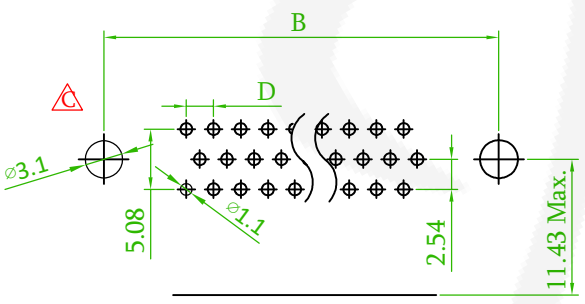
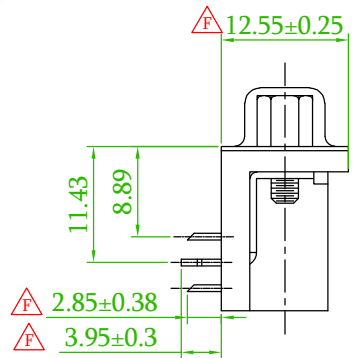
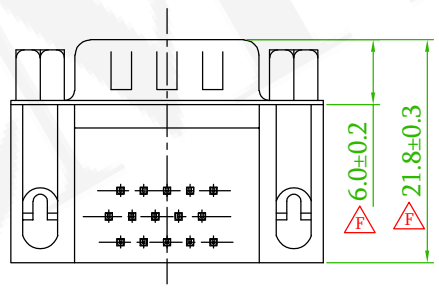
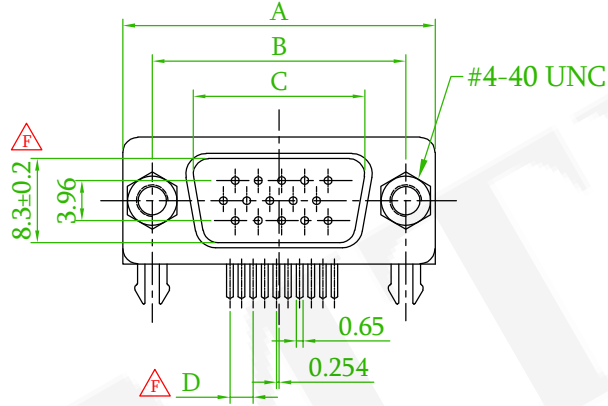
ORDER INFORMATION



Screw Height
01,02

P/N	Screw Height
57HDDRXM-XXANXXXXA-01 57HDDRXM-XXAAXXXXXA-01 57HDDRXM-XXADXXXXA-01 57HDDRXM-XXA4XXXXA-01	Non Screw
57HDDRXM-XXABXXXXA-01 57HDDRXM-XXACXXXXA-01 57HDDRXM-XXAMXXXXA-01 57HDDRXM-XXAWXXXXA-01	11.8 4.8
57HDDRXM-XXABXXXXA-02 57HDDRXM-XXACXXXXA-02 57HDDRXM-XXAMXXXXA-02 57HDDRXM-XXAWXXXXA-02	12.8 5.8

Contact	A	B	C	D
15	30.80	24.99	16.90	2.29
26	39.20	33.32	25.30	2.29
44	53.10	47.04	39.00	2.29
62	70.00	63.50	55.20	2.41



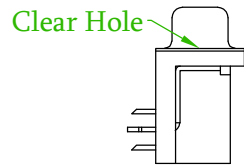
Recommended PCB Layout
(PCB TOLERANCE ±0.05)

Old Part No.:HDBR-MXX-L

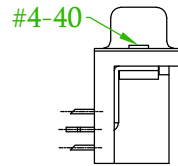
△x8	ECN NO.:211106 Revise the Layout & Dimension	Benson	2021/11/22
△x2	Revise the drawing	Alice	2021/4/20
△x2	ECN NO.: 181107, add an option: D: Front Rivet #4-40, H=4.0.	Gary	2018/12/24
REV.	ECN NO. OR DESCRIPTION	REVISED	DATE

糧德精密有限公司
Amtek Technology Co., Ltd.
TEL: 886-2-2260-6878
FAX: 886-2-2260-8030

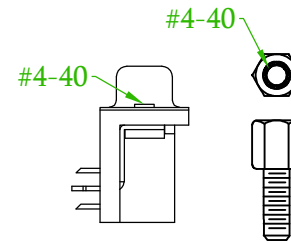
品名 TITLE	△ H.D. D-SUB MALE R/A DIP TYPE			頁碼 Page	1/2
品號 PART NO.	57HDDRXM-XXAAXXXXXA-0X			繪圖 DRAWN	Jeff 2015/09/08
圖號 DRAWING NO.	GN010-GB736	版本 REV.	F	核對 CHECKED	Josh 2018/12/24
客戶品號 CUSTOMER P/N		比例 SCALE	None	承認 APPROVED	Jason 2018/12/24
公差 TOLERANCE	.X ±0.38 .XX ±0.25	單位 UNIT	mm	THIRD ANGLE PROJECTION	



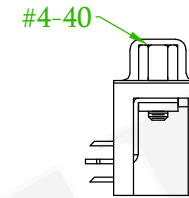
57HDDRXM-XXANXXXA-01
Clear Hole Ø3.05mm



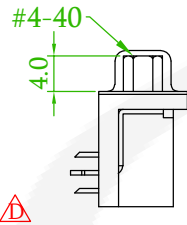
57HDDRXM-XXAAXXXA-01
Thread Insert #4-40



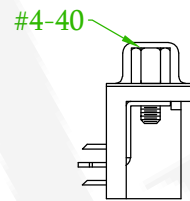
57HDDRXM-XXABXXXA-XX
Thread Insert #4-40
+ Jack Screw #4-40 Attached



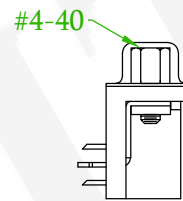
57HDDRXM-XXACXXXA-XX
Thread Insert #4-40
+ Jack Screw #4-40 Removable
+ Rivet ground strap



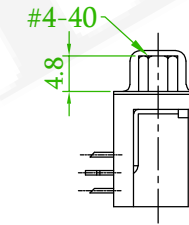
57HDDRXM-XXADXXXA-01
Front Rivet #4-40, H=4.0



57HDDRXM-XXAMXXXA-XX
Thread Insert #4-40
+ Jack Screw #4-40 Removable



57HDDRXM-XXAWXXXA-XX
Thread Insert M3
+ Jack Screw M3 Removable
+ Rivet ground strap



57HDDRXM-XXA4XXXA-01
Front Rivet #4-40, H=4.8

Old Part No.:HDBR-MXX-L

	ECN NO.:211106 Revise the Layout & Dimension	Benson	2021/11/22
	Revise the drawing	Alice	2021/4/20
	ECN NO.: 181107, add an option: D: Front Rivet #4-40, H=4.0.	Gary	2018/12/24
REV.	ECN NO. OR DESCRIPTION	REVISED	DATE

Amtek Technology Co., Ltd.
TEL: 886-2-2260-6878
FAX: 886-2-2260-8030

品名 TITLE	H.D. D-SUB MALE R/A DIP TYPE			頁碼 Page	2/2
品號 PART NO.	57HDDRXM-XXAXXXXA-0X		繪圖 DRAWN	Jeff 2015/09/08	
圖號 DRAWING NO.	GN010-GB736	版本 REV.	F	核對 CHECKED	Josh 2018/12/24
客戶品號 CUSTOMER P/N		比例 SCALE	None	承認 APPROVED	Jason 2018/12/24
公差 TOLERANCE	.X ±0.38 .XX ±0.25	單位 UNIT	mm	THIRD ANGLE PROJECTION	