

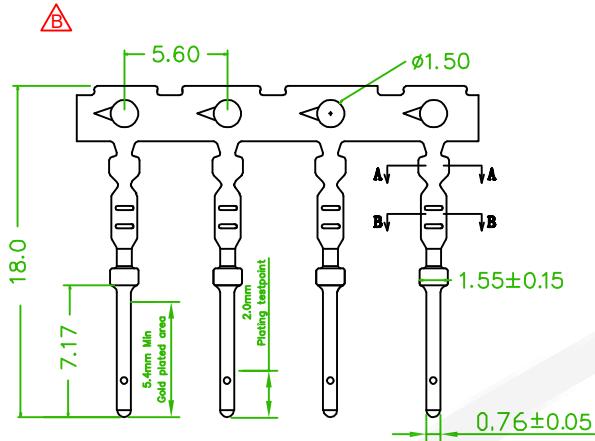
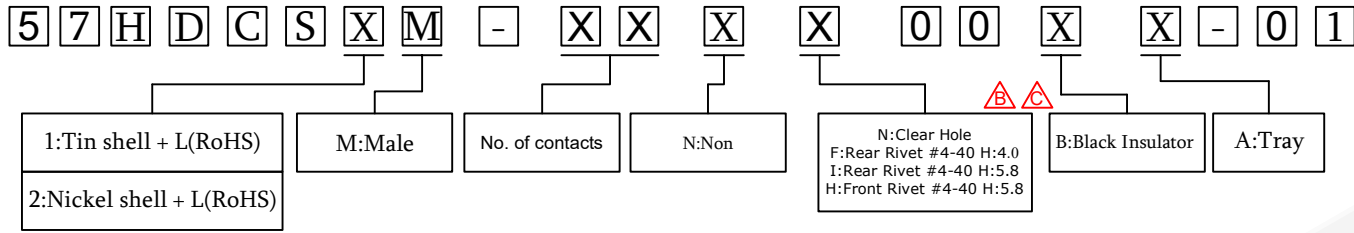
**SPECIFICATION**

Current Rate:3 AMP  
 Insulation Resistance:1000 MΩ Min  
 Dielectric voltage:500V AC for one minute ⚠  
 Operation Temperature:-55°C to +105 °C

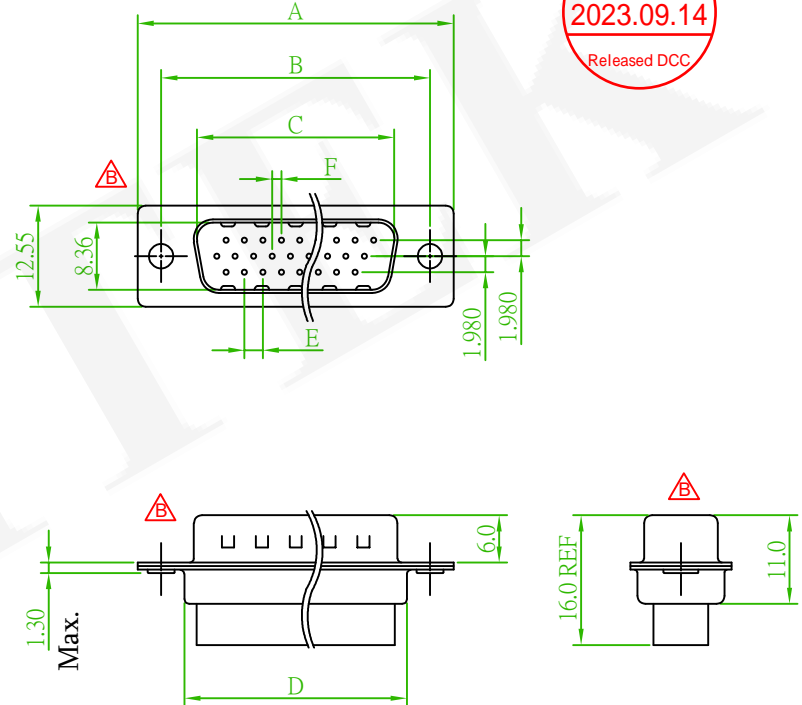
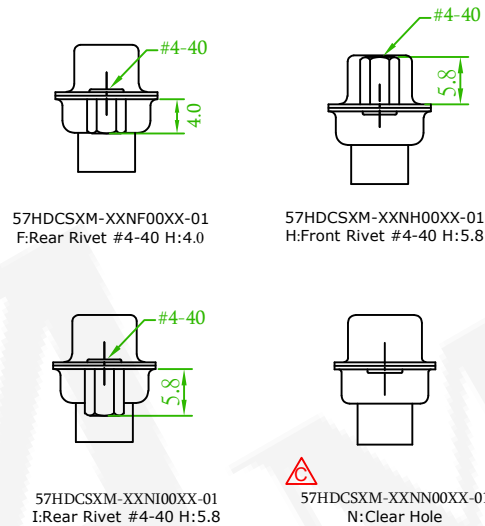
**MATERIAL** ⚠

Insulator:PBT,UL94V-0  
 Shell: SPCC.  
 Screw: Copper Alloy or iron.

**ORDER INFORMATION**



0.76 Crimp Pin Male Terminal  
 PART No.:32BR-S00M0001



No.	A	B	C	D	E	F
15	30.81	24.99	16.92	19.23	2.29	1.145
26	39.14	33.32	25.25	27.56	2.29	1.145
44	53.04	47.04	38.96	41.28	2.29	1.145
62	69.32	63.50	55.42	57.33	2.41	1.205

Old Part No.:HDBC-MXX-L

<p>糧德精密有限公司                  Amtek Technology Co., Ltd.                  TEL: 886-2-2268-8036                  FAX: 886-2-2268-8035</p>	品名 TITLE	D-SUB HIGH DENSITY CRIMP TYPE				
	品號 PART NO.	57HDCSXM-XXXX00XX-01			繪圖 DRAWN	Jeff 2015/09/08
	圖號 DRAWING NO.	GW054-AB434	版本 REV.	C	核對 CHECKED	John 2015/09/08
	客戶品號 CUSTOMER P/N		比例 SCALE	None	承認 APPROVED	John 2015/09/08
	公差 TOLERANCE	⚠ .X ± 0.30 ⚠ .XX ± 0.25	單位 UNIT	mm	THIRD ANGLE PROJECTION	

⚠	Easyflow 2023091401	Benson	2023/09/14
⚠x9	ECN NO.: 221115 Revise the drawing	Alice	2022/12/22
REV.	ECN NO. OR DESCRIPTION	REVISED	DATE