

SPECIFICATIONS

Current Rating: 3 AMP
 Insulation Resistance: 1000MΩ Min.
 Contact Resistance: 20mΩ Max. **B**
 Dielectric Voltage: 1000V AC for one minute
 Operation Temperature: -55°C to +105°C

MATERIAL

Insulator: PBT+30% G.F., UL 94V-0
 Terminal: Copper Alloy

ORDER INFORMATION

5 7 D E D S X X - X X X X B A - X X

1: Tin shell + L(RoHS)
 2: Nickel shell + L(RoHS)

M: Male
 F: Female

No. of contacts

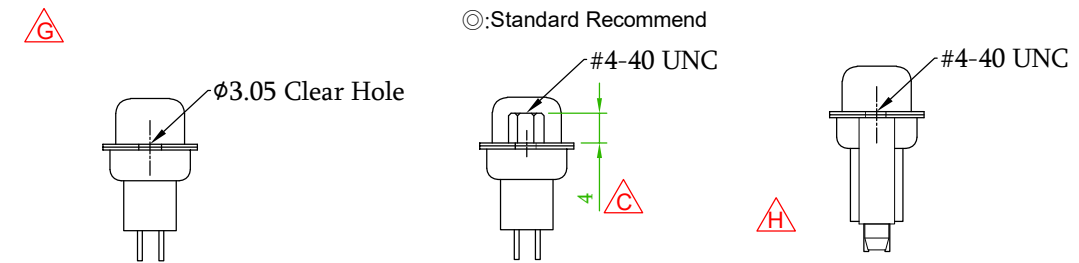
Boardlock		Mounting
NN	W/O	φ3.05 Clear Hole
ND	W/O	Front Rivet #4-40, H=4.0
NF	W/O	Rear Rivet #4-40, H=4.0
NL	W/O	Rear Rivet #4-40, H=4.0+Screw
BA	With	Thread Insert #4-40
CC	With	Thread Insert #4-40+Jack Screw #4-40 Removable

G0: Gold Flash		S0: Selective	
GA: 5u"	SA: 5u"	GB: 10u"	SB: 10u"
GF: 15u"	SF: 15u"	GC: 20u"	SC: 20u"
GD: 30u"	SD: 30u"		

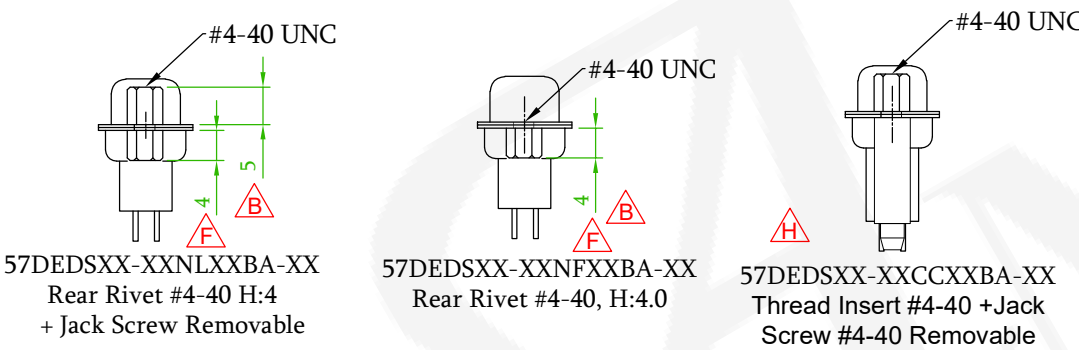
A: Tray

With Boardlock		W/O Boardlock
01: H: 3.6 I: 11.1	01: H: 3.6	
02: H: 5.4 I: 12.7	02: H: 5.4	
03: H: 7.2 I: 14.5	03: H: 7.2	

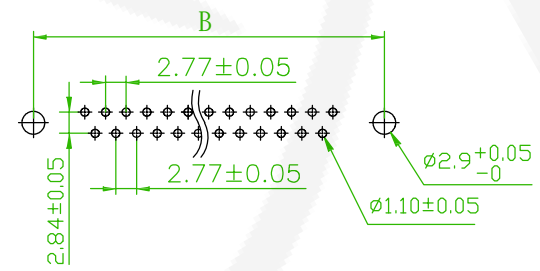
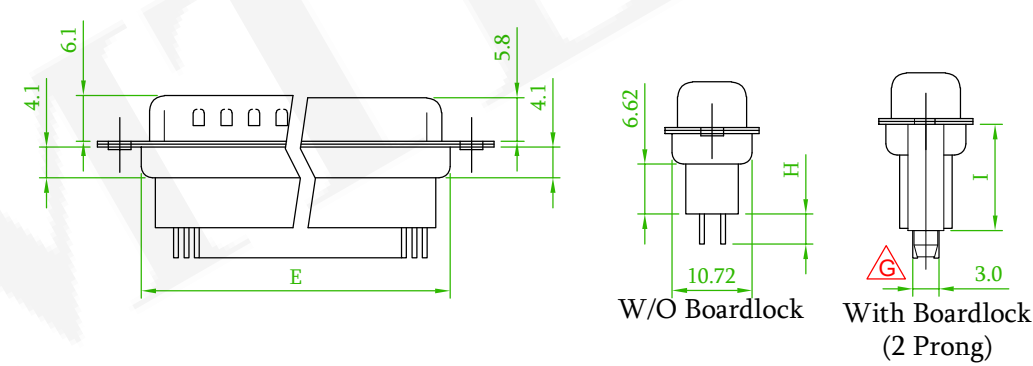
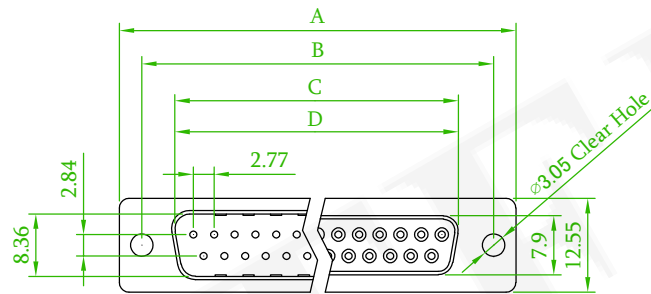
B: Black



57DEDSXX-XXNNXXBA-XX Clear Hole Ø3.05mm
 57DEDSXX-XXNDXXBA-XX Front Rivet #4-40, H:4.0
 57DEDSXX-XXBAXXBA-XX Thread Insert #4-40 UNC



57DEDSXX-XXNLXXBA-XX Rear Rivet #4-40 H:4 + Jack Screw Removable
 57DEDSXX-XXNFXXBA-XX Rear Rivet #4-40, H:4.0
 57DEDSXX-XXCCXXBA-XX Thread Insert #4-40 + Jack Screw #4-40 Removable



RECOMMENDED PCB LAYOUT

Contacts	Dim. A	Dim. B	Dim. C	Dim. D	Dim. E
9	30.81	24.99	16.92	16.33	19.20
15	39.20	33.30	25.25	24.70	19.39
25	53.04	47.04	38.96	38.38	41.10
37	69.32	63.50	55.42	54.84	57.30

Dim. H	Dim. I
3.6	11.0
5.4	12.7
7.2	14.5

Old Part No.: DBE-XXX-L

REV.	ECN NO. OR DESCRIPTION	REVISED	DATE
H x2	ECN NO.: 220118 ,Add the mating face options	Benson	2022/02/22
G x5	ECN NO.: 201108 ,Revise the drawing	Alice	2020/12/01
F x3	ECN NO.: 200622 ,Revise the Accessories	Benson	2020/07/20

TEL: 886-2-2260-6878
 FAX: 886-2-2260-8030

品名 TITLE		D-SUB V/T DIP ELEVATED TYPE			
品號 PART NO.	57DEDSXX-XXXXXXBA-XX	繪圖 DRAWN	Jeff	2015/09/08	
圖號 DRAWING NO.	GW006-GB032	版本 REV.	H	核對 CHECKED	Josh 2018/09/17
客戶品號 CUSTOMER P/N		比例 SCALE	None	承認 APPROVED	Jason 2018/09/17
公差 TOLERANCE	.X ±0.25 .XX ±0.20	單位 UNIT	mm	THIRD ANGLE PROJECTION	