

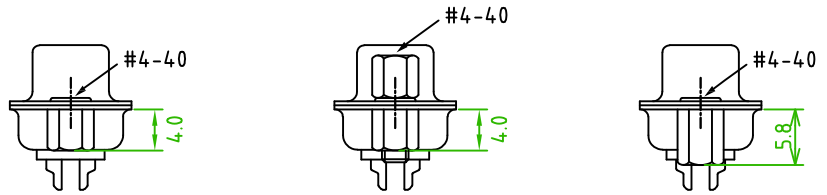
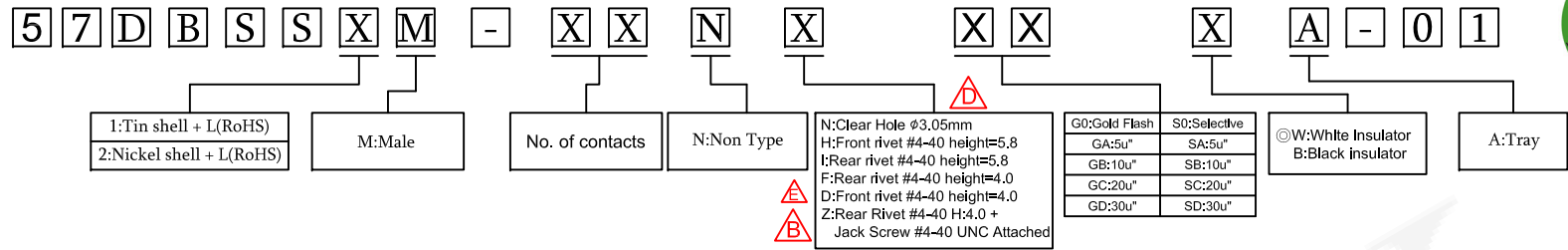
SPECIFICATIONS

Current Rating: 3 AMP
 Insulation Resistance: 1000MΩ Min.
 Contact Resistance: 30mΩ Max.
 Dielectric Voltage: 500V AC for one minute ⚠
 Operation Temperature: -55°C to +105°C

MATERIAL ⚠

Insulator: PBT
 Contact Pin: Copper Alloy
 Shell: SPCC.
 Rivet: Copper Alloy.

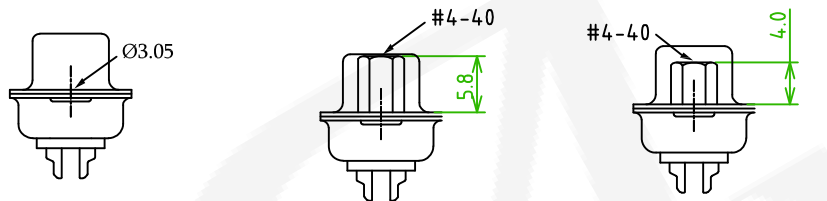
ORDER INFORMATION



F:Rear Rivet #4-40 H:4.0
57DBSSXM-XXNFXXA-01

Z: Rear Rivet #4-40 H:4.0 + Jack
Screw #4-40 UNC Attached
57DBSSXM-XXNZXXXA-01

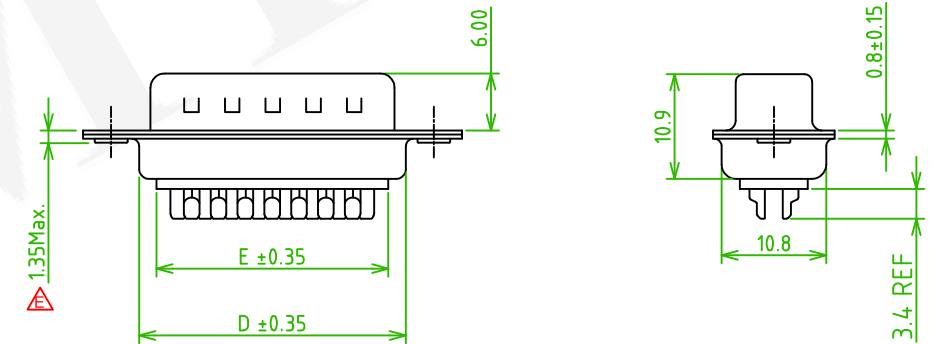
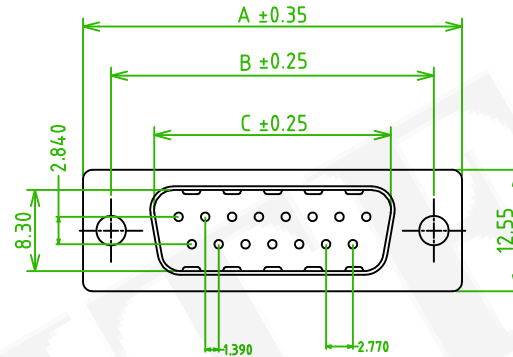
I:Rear Rivet #4-40, H=5.8
57DBSSXM-XXNIXXA-01



N:Clear Hole Ø3.05mm
57DBSSXM-XXNXXXXA-01

H:Front Rivet #4-40, H=5.8
57DBSSXM-XXNHXXXXA-01

D:Front Rivet #4-40, H=4.0
57DBSSXM-XXNDXXXXA-01

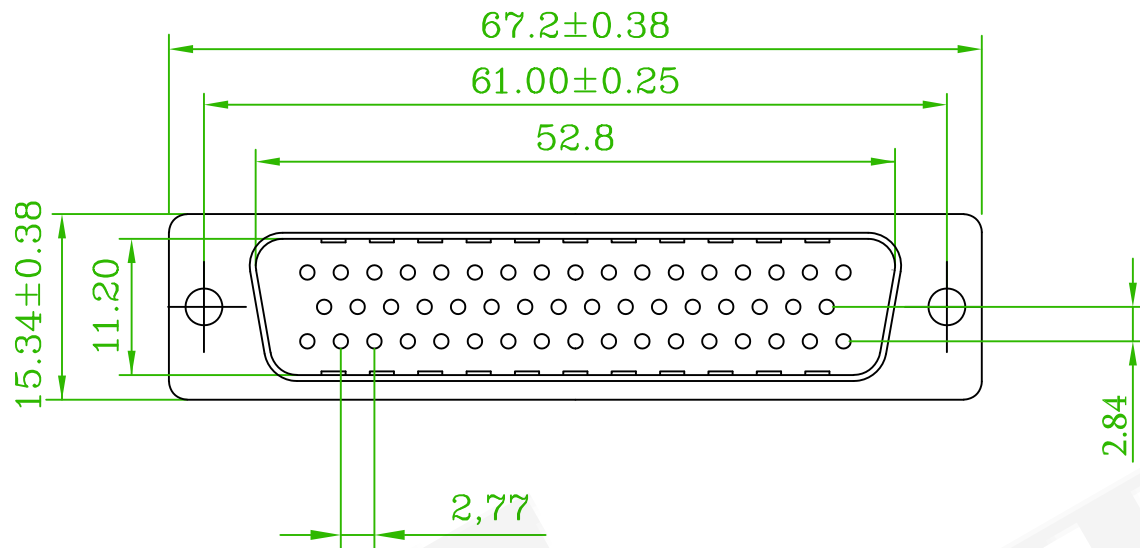


No.	A	B	C	D	E
09	30.80	24.99	16.90	19.10	15.60
15	39.20	33.30	25.35	27.50	24.50
25	53.05	47.04	38.91	41.00	37.90
37	69.40	63.50	55.40	57.30	54.50

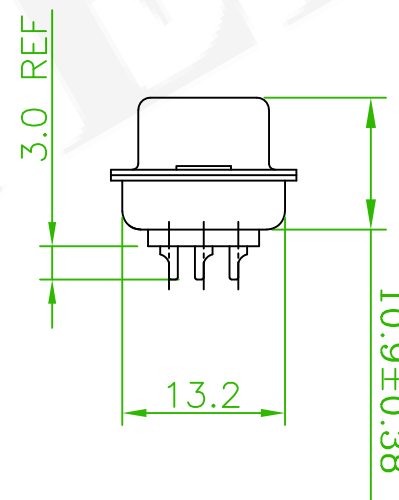
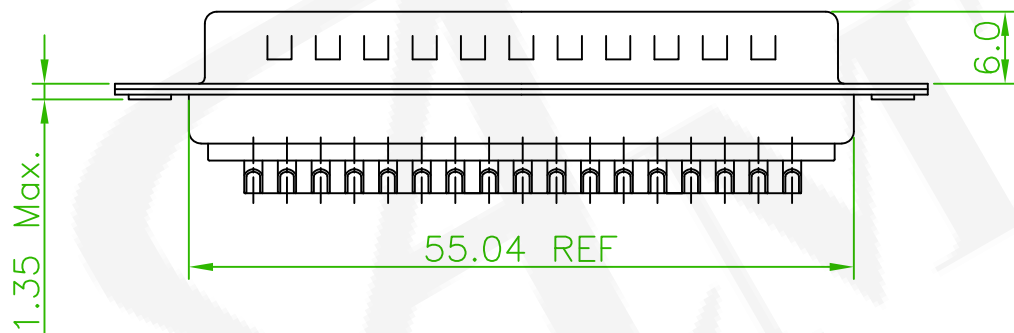
Old Part No.:DBS-MXX-L

⚠x1	Add 50 pin.	Alice	2023/06/21
⚠x6	ECN NO.: 221114 Revise the drawing	Alice	2022/12/26
⚠	Add : PAGE 2/2	David	2019/07/22
REV.	ECN NO. OR DESCRIPTION	REVISED	DATE

品名 TITLE	D-SUB SOLDER TYPE				頁數 Page	1/2
品號 PART NO.	57DBSSXM-XXNXXXXA-01			繪圖 DRAWN	Jeff 2015/09/08	
圖號 DRAWING NO.	GN010-GA671	版本 REV.	F	核對 CHECKED	Josh 2018/03/02	
客戶品號 CUSTOMER P/N		比例 SCALE	None	承認 APPROVED	Jason 2018/03/02	
公差 TOLERANCE	⚠.X±0.35 .XX±0.25	單位 UNIT	mm	THIRD ANGLE PROJECTION		



AMTEK 糧德
2023.06.21
Released DCC



50 pin

Old Part No.:DBS-MXX-L

	Add 50 pin.	Alice	2023/06/21
	ECN NO.: 221114 Revise the drawing	Alice	2022/12/26
	Add : PAGE 2/2	David	2019/07/22
REV.	ECN NO. OR DESCRIPTION	REVISED	DATE

糧德精密有限公司
Amtek Technology Co., Ltd.
TEL: 886-2-2268-8036
FAX: 886-2-2268-8035

品名 TITLE	D-SUB SOLDER TYPE				頁數 Page	2/2
品號 PART NO.	57DBSSXM-XXNXXXXXA-01			繪圖 DRAWN	Jeff 2015/09/08	
圖號 DRAWING NO.	GN010-GA671	版本 REV.	F	核對 CHECKED	Josh 2018/03/02	
客戶品號 CUSTOMER P/N		比例 SCALE	None	承認 APPROVED	Jason 2018/03/02	
公差 TOLERANCE	.X±0.35 .XX±0.25	單位 UNIT	mm	THIRD ANGLE PROJECTION		