

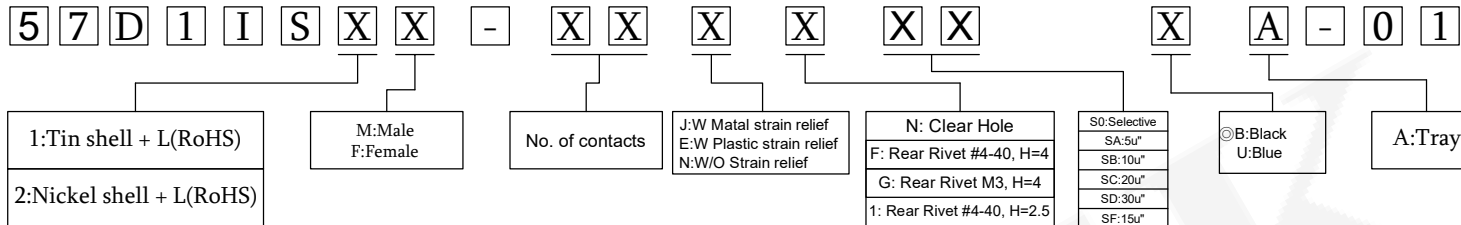
SPECIFICATIONS

Current Rating: 3 AMP
 Insulation Resistance: 1000MΩ Min.
 Contact Resistance: 20mΩ Max.
 Dielectric Voltage: 500V AC for one minute
 Operation Temperature: -55°C to +105°C

MATERIAL

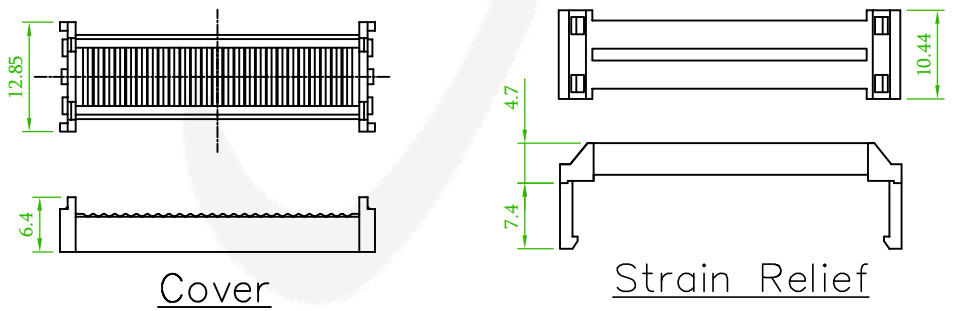
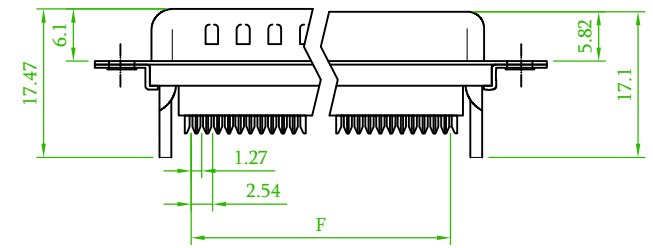
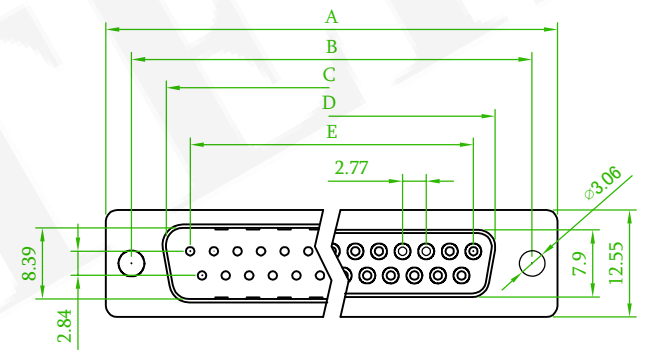
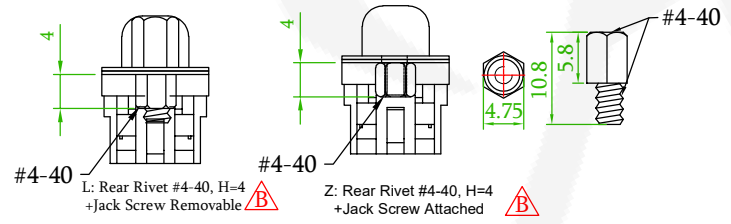
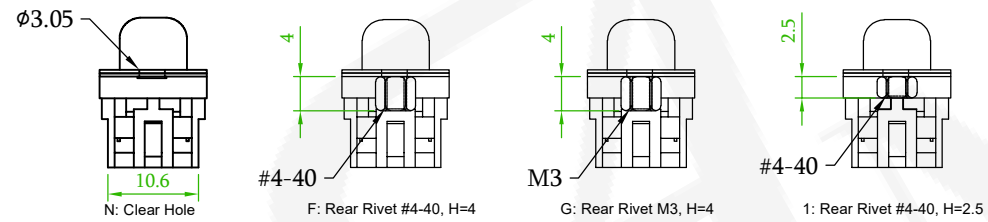
Insulator: PBT 30% G.F., UL 94V-0
 Terminal: Copper Alloy

ORDER INFORMATION



Standard Recommend

No. of Contacts	Dimensions(mm)					
	A	B	C	D	E	F
09	30.81	24.99	16.92	16.33	11.08	10.16
15	39.20	33.30	25.25	24.70	19.39	17.78
25	53.05	47.04	38.96	38.40	33.24	30.48
37	69.40	63.50	55.42	54.84	49.86	45.72



Old Part No.: DBI1-MXXX-L

 糧德精密有限公司 Amtek Technology Co., Ltd. TEL: 886-2-2268-8036 FAX: 886-2-2268-8035	品名 TITLE	D-SUB IDC TYPE				頁數 Page	1/1
	品號 PART NO.	57D1ISXX-XXXXXXXXA-01				繪圖 DRAWN	Jeff 2015/09/08
	圖號 DRAWING NO.	GW006-GB850	版本 REV.	B	核對 CHECKED	John 2015/09/08	
	客戶品號 CUSTOMER P/N		比例 SCALE	None	承認 APPROVED	John 2015/09/08	
	公差 TOLERANCE	.X ±0.25 .XX ±0.2	單位 UNIT	mm	THIRD ANGLE PROJECTION		
	REV.	Add the Accessories options		Benson	2021/05/05		
REV.	ECN NO. OR DESCRIPTION		REVISED	DATE			

REV.	Add the Accessories options		Benson	2021/05/05	
REV.	ECN NO. OR DESCRIPTION		REVISED	DATE	