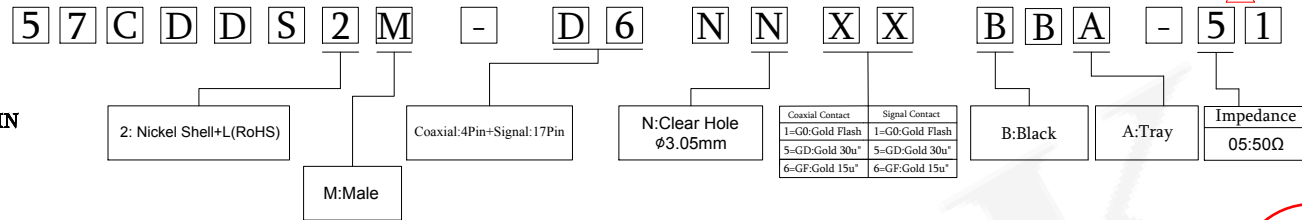


SPECIFICATIONS

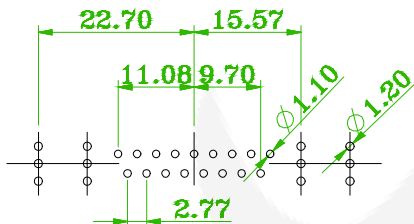
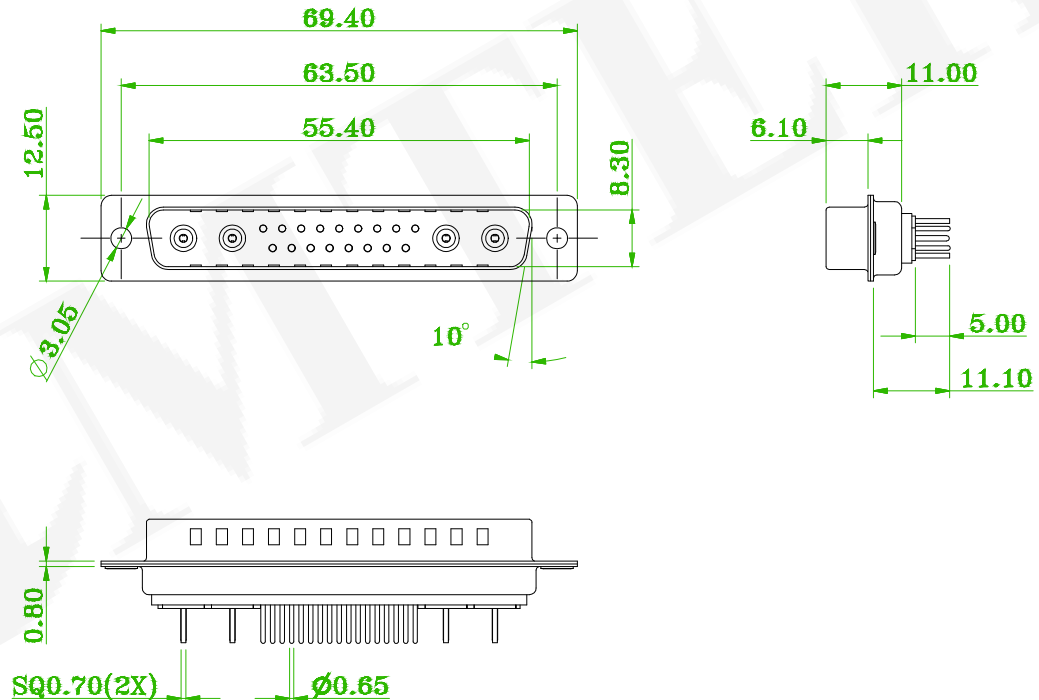
ELECTRICAL CHARACTERISTICS
 COAXIAL CONTACT IMPEDANCE : 50Ω
 COAXIAL CONTACT RESISTANCE : 2.7 mΩ MAX.
 SIGNAL CONTACT CURRENT RATING : 5.0 A
 SIGNAL CONTACT RESISTANCE : 10 mΩ MAX.
 DIELECTRIC WITHSTANDING VOLTAGE : 1000 V AC FOR 1 MIN
 INSULATION RESISTANCE : 5GΩ MIN.
 TEMPERATURE RATING : -55°C ~ +125°C

ORDER INFORMATION



MATERIAL

SHELL: STEEL MATERIAL, FRONT SHELL NICKEL FINISHED
 BACK SHELL NICKEL FINISHED
 DIMPLES ON PLUG ONLY
 INSULATOR: PBT THERMOPLASTIC, 30% GLASS FILLED
 UL 94V-0 RATED, BLACK COLOR
 SIGNAL CONTACT: COPPER ALLOY
 COAXIAL CONTACT: COPPER AOLLY



P.C.B. LAYOUT

 糧德精密有限公司 Amtek Technology Co., Ltd. TEL: 886-2-2260-6878 FAX: 886-2-2260-8030	品名 TITLE	COAXIAL D-SUB MALE STRAIGHT DIP TYPE			頁數 Page	1/1	
	品號 PART NO.	△ 57CDDSD2M-D6NNXXBBA-51		繪圖 DRAWN	Benson 2020/04/22		
	圖號 DRAWING NO.	GW138-BN062	版本 REV.	B	核對 CHECKED	Josh 2020/04/22	
	客戶品號 CUSTOMER P/N		比例 SCALE	None	承認 APPROVED	Josh 2020/04/22	
	公差 TOLERANCE	.X ± 0.30 .XX ± 0.20	單位 UNIT	mm	THIRD ANGLE PROJECTION		

REV.	QEC NO:200802 Revise the drawing	Alice	2020/08/05
	ECN NO. OR DESCRIPTION	REVISED	DATE