

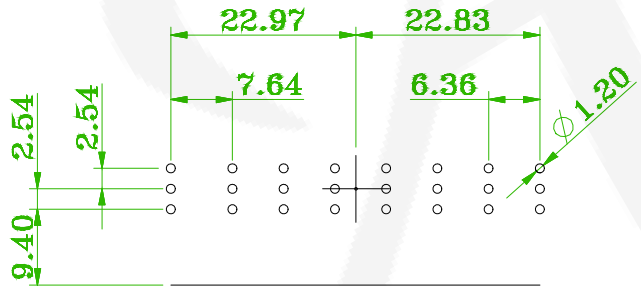
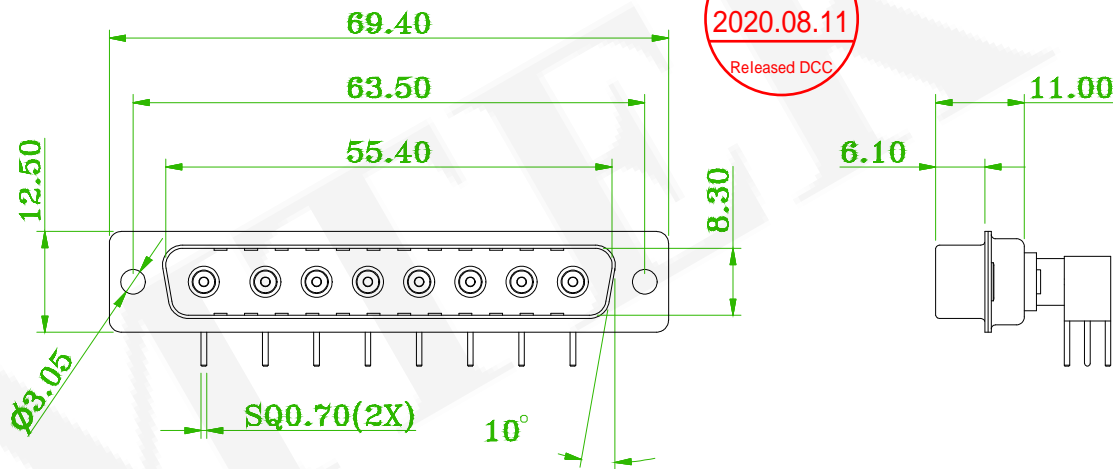
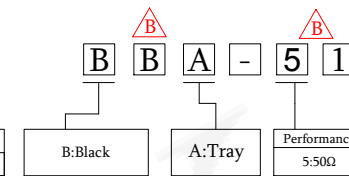
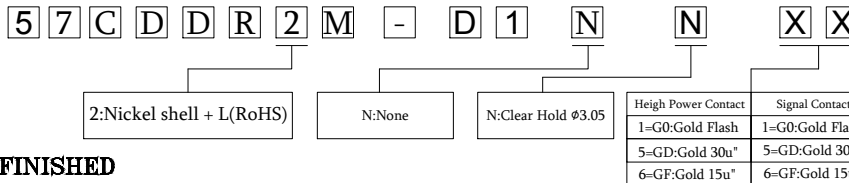
**SPECIFICATIONS**

COAXIAL CONTACT IMPEDANCE : 50 Ω  
 COAXIAL CONTACT RESISTANCE : 2.7 mΩ MAX.  
 INSULATION RESISTANCE : 5GΩ MIN.  
 TEMPERATURE RATING : -55°C ~ +125°C

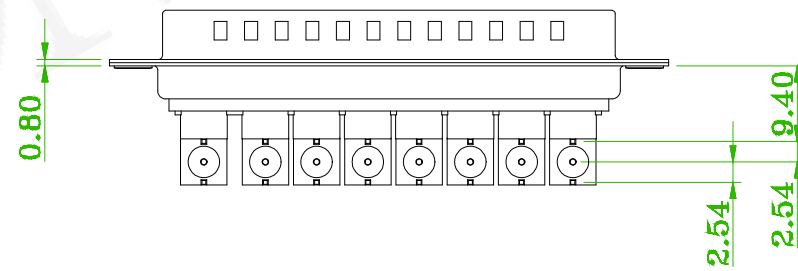
**MATERIAL**

SHELL: STEEL MATERIAL, FRONT SHELL NICKEL FINISHED  
 BACK SHELL NICKEL FINISHED  
 DIMPLES ON PLUG ONLY  
 INSULATOR: PBT THERMOPLASTIC, 30% GLASS FILLED,  
 UL 94V-0 RATED, BLACK COLOR  
 COAXIAL CONTACT: COPPER ALLOY

**ORDER INFORMATION**



P.C.B. LAYOUT



糧德精密有限公司  
 Amtek Technology Co., Ltd.  
 TEL: 886-2-2260-6878  
 FAX: 886-2-2260-8030

品名 TITLE	Coaxial D-SUB R/A DIP TYPE			頁數 Page	1/1
品號 PART NO.	△57CDDR2M-D1NNXXBBA-51		繪圖 DRAWN	David 2019/12/27	
圖號 DRAWING NO.	GW138-DV590	版本 REV.	B	核對 CHECKED	Josh 2019/12/27
客戶品號 CUSTOMER P/N		比例 SCALE	None	承認 APPROVED	Josh 2019/12/27
公差 TOLERANCE	.X ± 0.30	單位 UNIT	mm	THIRD ANGLE PROJECTION	
	.XX ± 0.20				

REV.	QEC NO:200802 Revise the drawing	Alice	2020/08/05
	ECN NO. OR DESCRIPTION	REVISED	DATE