

NOTE

Material: Phosphor Bronze

Thickness: 0.1mm

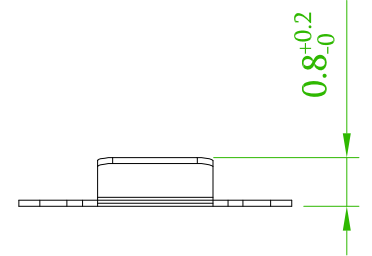
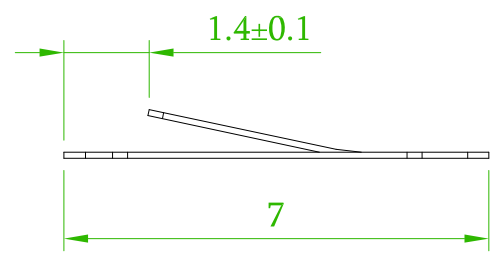
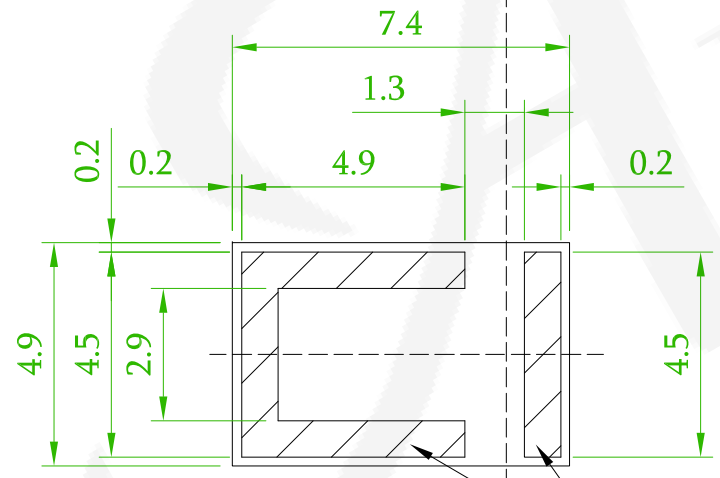
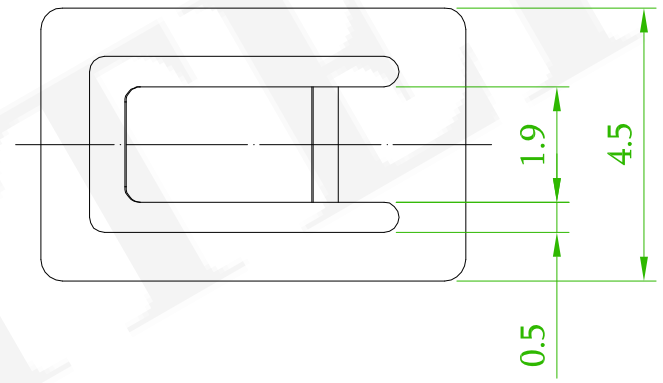
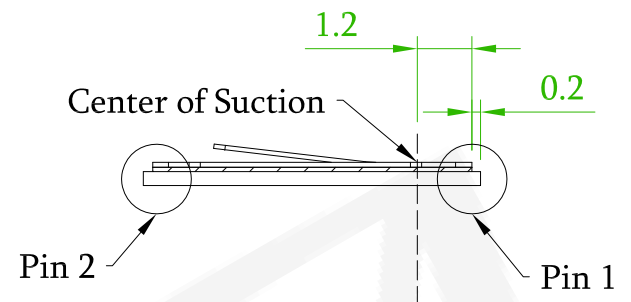
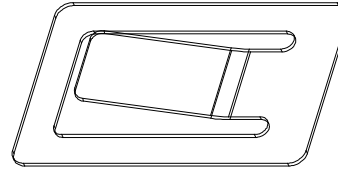
Plated: Gold Flash on Contact Area Min.

Gold Flash on Solder Area Min.

Nickel Underplating over All

Height of Application: 0.10 to 0.50mm (Single Actuation)

0.15 to 0.50mm (Repeated Actuation)



Recommended PCB Layout
(PCB TOLERANCE ±0.1)

Solder Area

REV.	ECN NO. OR DESCRIPTION	REVISED	DATE

糧德精密有限公司
 Amtek Technology Co., Ltd.
 TEL: 886-2-2260-6878
 FAX: 886-2-2260-8030

品名 TITLE		EMI SPRING				頁數 Page	1/1
品號 PART NO.	3SWL-NN08NN-NNNNG	繪圖 DRAWN		Gary		2018/05/03	
圖號 DRAWING NO.	GW271-GB120	版本 REV.	A	核對 CHECKED	Josh 2018/05/03		
客戶品號 CUSTOMER P/N		比例 SCALE	None	承認 APPROVED	Jason 2018/05/03		
公差 TOLERANCE	±0.20	單位 UNIT	mm	THIRD ANGLE PROJECTION			