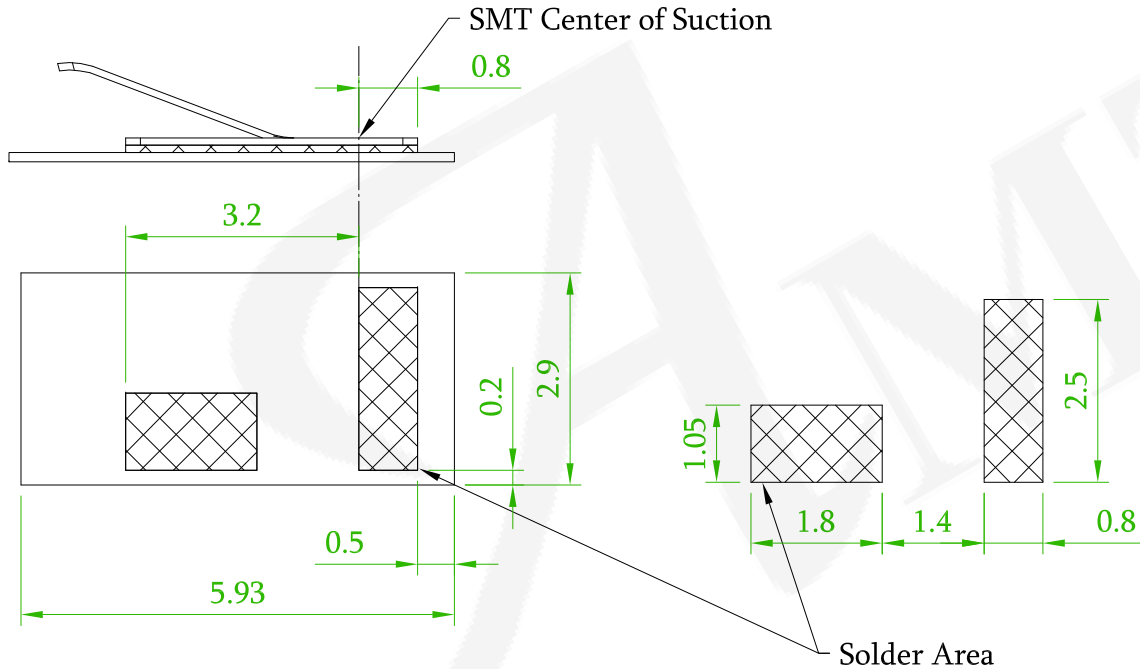
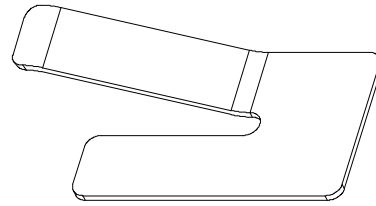
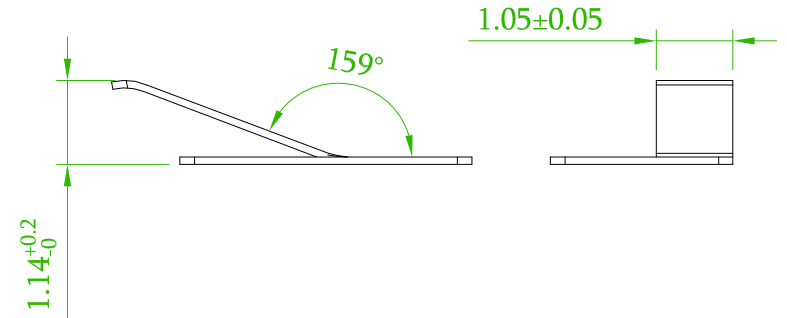
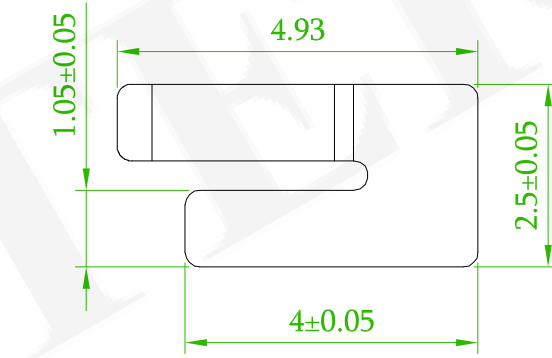


**NOTE**

Material: BeCu  
 Thickness: 0.1mm  
 Plated: Gold Flash over All  
 Nickel Underplating over All



Recommended PCB Layout  
 (PCB TOLERANCE ±0.1)



| REV. | ECN NO. OR DESCRIPTION | REVISED | DATE |
|------|------------------------|---------|------|
|      |                        |         |      |

糧德精密有限公司  
 Amtek Technology Co., Ltd.  
 TEL: 886-2-2260-6878  
 FAX: 886-2-2260-8030

| 品名<br>TITLE          | EMI SPRING        |             |      |                              | 頁數<br>Page          | 1/1 |
|----------------------|-------------------|-------------|------|------------------------------|---------------------|-----|
| 品號<br>PART NO.       | 3SVL-NN12NN-NNNNG |             |      | 繪圖<br>DRAWN                  | Gary<br>2018/12/06  |     |
| 圖號<br>DRAWING NO.    | GW271-GB659       | 版本<br>REV.  | A    | 核對<br>CHECKED                | Josh<br>2018/12/06  |     |
| 客戶品號<br>CUSTOMER P/N |                   | 比例<br>SCALE | None | 承認<br>APPROVED               | Jason<br>2018/12/06 |     |
| 公差<br>TOLERANCE      | ±0.10             | 單位<br>UNIT  | mm   | THIRD<br>ANGLE<br>PROJECTION |                     |     |