

NOTE

Material: Copper Alloy

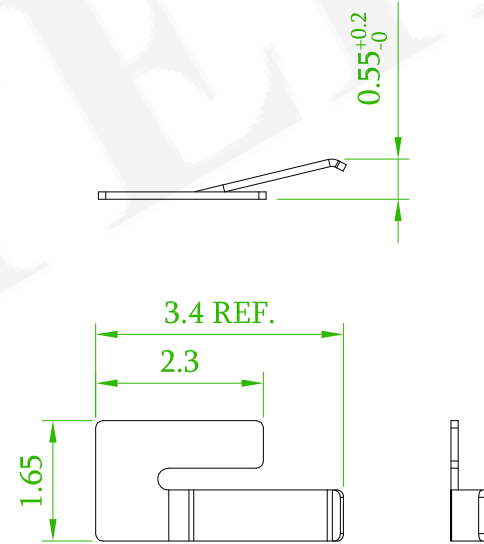
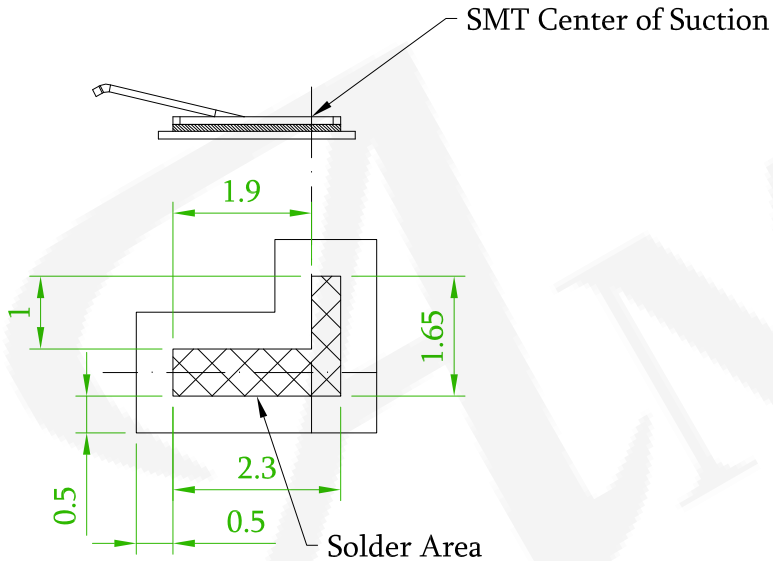
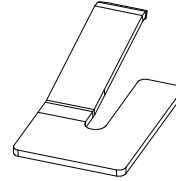
Thickness: 0.1mm

Plated: Gold Flash over All

Nickel Underplating over All


Height of Application: 0.17-0.2mm(Single Actuation)

0.17-0.2mm(Repeated Actuation)



Recommended PCB Layout
(PCB TOLERANCE ±0.1)

REV.	ECN NO. OR DESCRIPTION	REVISED	DATE

 糧德精密有限公司 Amtek Technology Co., Ltd. TEL: 886-2-2260-6878 FAX: 886-2-2260-8030	品名 TITLE	EMI SPRING			頁數 Page	1/1
	品號 PART NO.	3SVL-NN06NN-NNQ1G			繪圖 DRAWN	Gary 2018/12/06
	圖號 DRAWING NO.	GW271-GB658	版本 REV.	A	核對 CHECKED	Josh 2018/12/06
	客戶品號 CUSTOMER P/N		比例 SCALE	None	承認 APPROVED	Jason 2018/12/06
	公差 TOLERANCE	±0.10	單位 UNIT	mm	THIRD ANGLE PROJECTION	