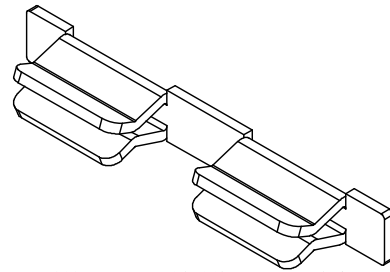
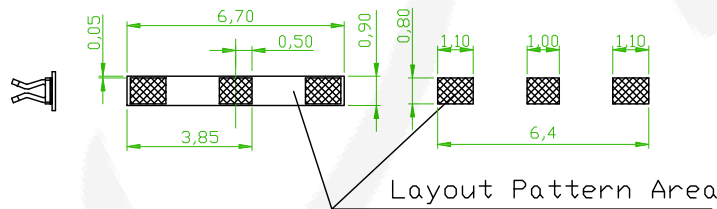
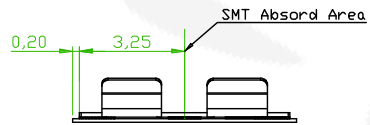
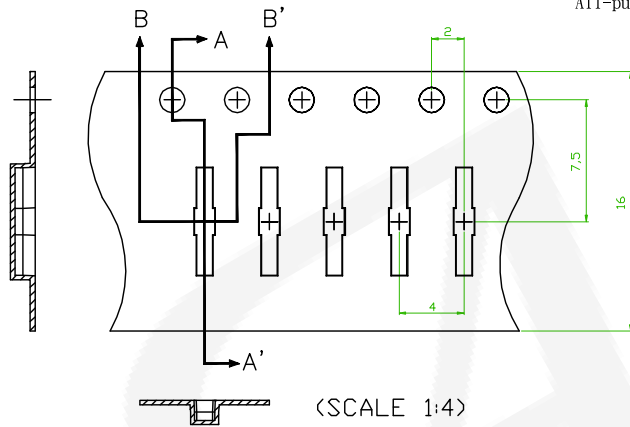


NOTE

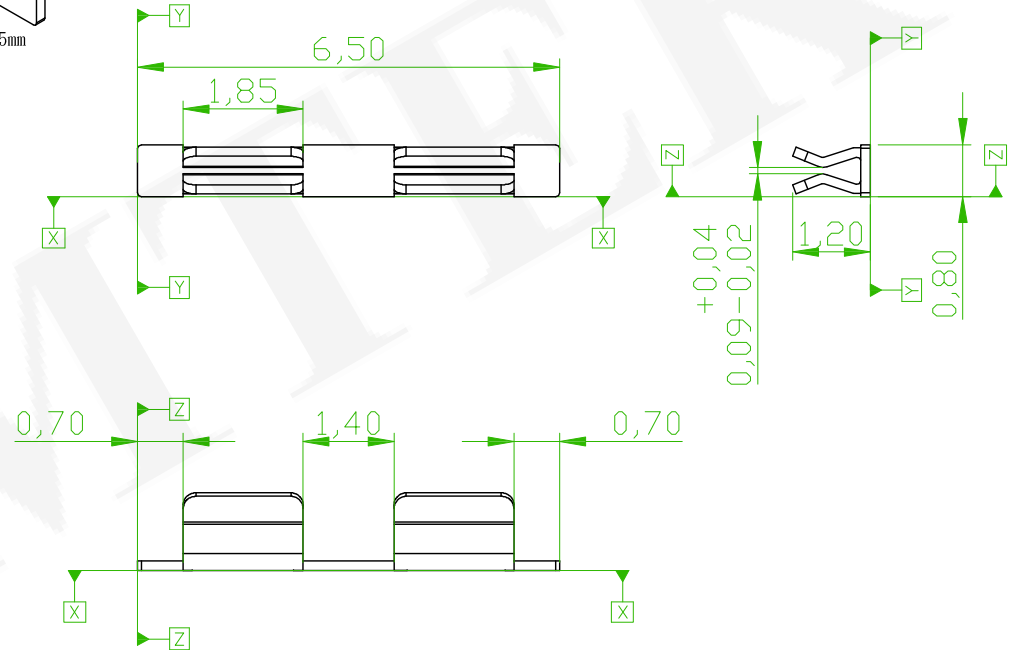
1. Material: Stainless Steel
2. Thickness: 0.15mm
3. Electroplate:
Matte Tin Plating over All
Nickel underplating over all
4. IR Reflow Temp. is 240°C
5. Storing date: 3 months




All-purpose shielding cover 0.15mm



PCB Recommend Layout Pattern



REV.	ECN NO. OR DESCRIPTION	REVISED	DATE

 糧德精密有限公司 Amtek Technology Co., Ltd. TEL: 886-2-2260-6878 FAX: 886-2-2260-8030	品名 TITLE	PCB Clip			頁數 Page	1/1
	品號 PART NO.	3SUL-NN1215-NNNNM			繪圖 DRAWN	Roy 2018/11/20
	圖號 DRAWING NO.	GW274-RR964	版本 REV.	A	核對 CHECKED	Josh 2018/11/20
	客戶品號 CUSTOMER P/N		比例 SCALE	None	承認 APPROVED	Jason 2018/11/20
	公差 TOLERANCE	± 0.2	單位 UNIT	mm	THIRD ANGLE PROJECTION	