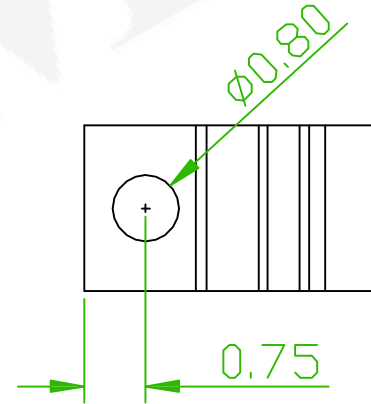
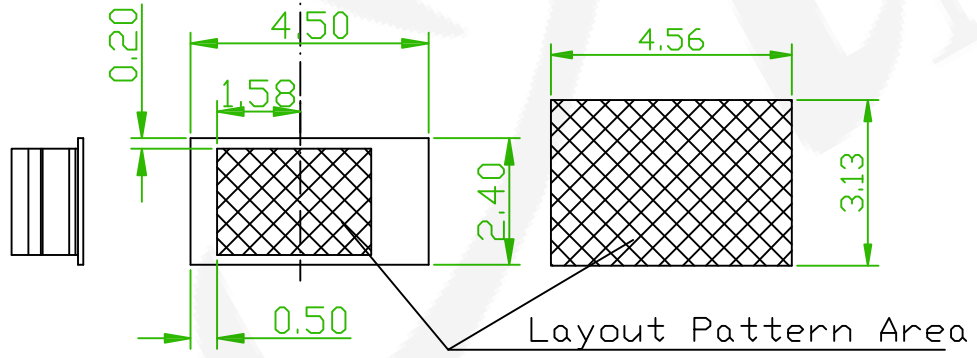
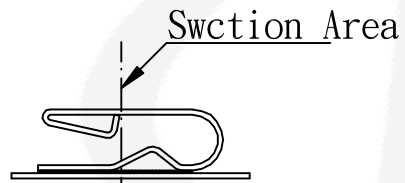
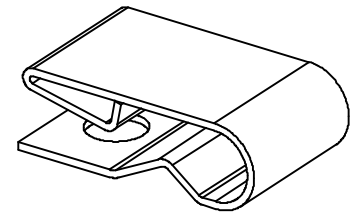
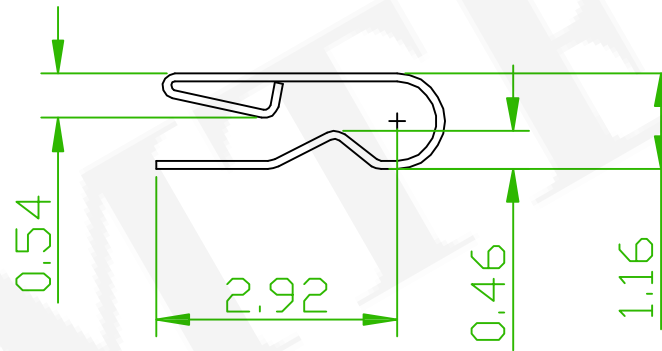
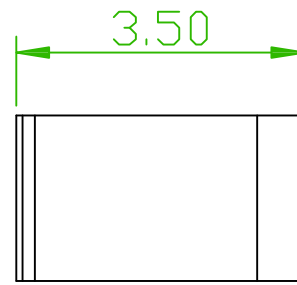


**NOTE**

1. Material: Be Cu
2. Thickness: 0.10mm
3. Electroplate:  
 Gold Flash Plating over all  
 Nickel underplating over all
4. Fixed cable diameter:  $\phi 0.5 \sim \phi 0.9$ mm
5. Preservation time : Nine months
6. Confrom "ROSH" and "GP" and "HSF"



Recommend layout Pattern

REV.	ECN NO. OR DESCRIPTION	REVISED	DATE

糧德精密有限公司  
 Amtek Technology Co., Ltd.  
 TEL: 886-2-2260-6878  
 FAX: 886-2-2260-8030

品名 TITLE	EMI SPRING				頁數 Page	1/1
品號 PART NO.	3SSU-NN12NN-NNA1G			繪圖 DRAWN	Nick 2019/04/18	
圖號 DRAWING NO.	GW271-NI069	版本 REV.	A	核對 CHECKED	Josh 2019/04/18	
客戶品號 CUSTOMER P/N		比例 SCALE	None	承認 APPROVED	Josh 2019/04/18	
公差 TOLERANCE	±0.30	單位 UNIT	mm	THIRD ANGLE PROJECTION		