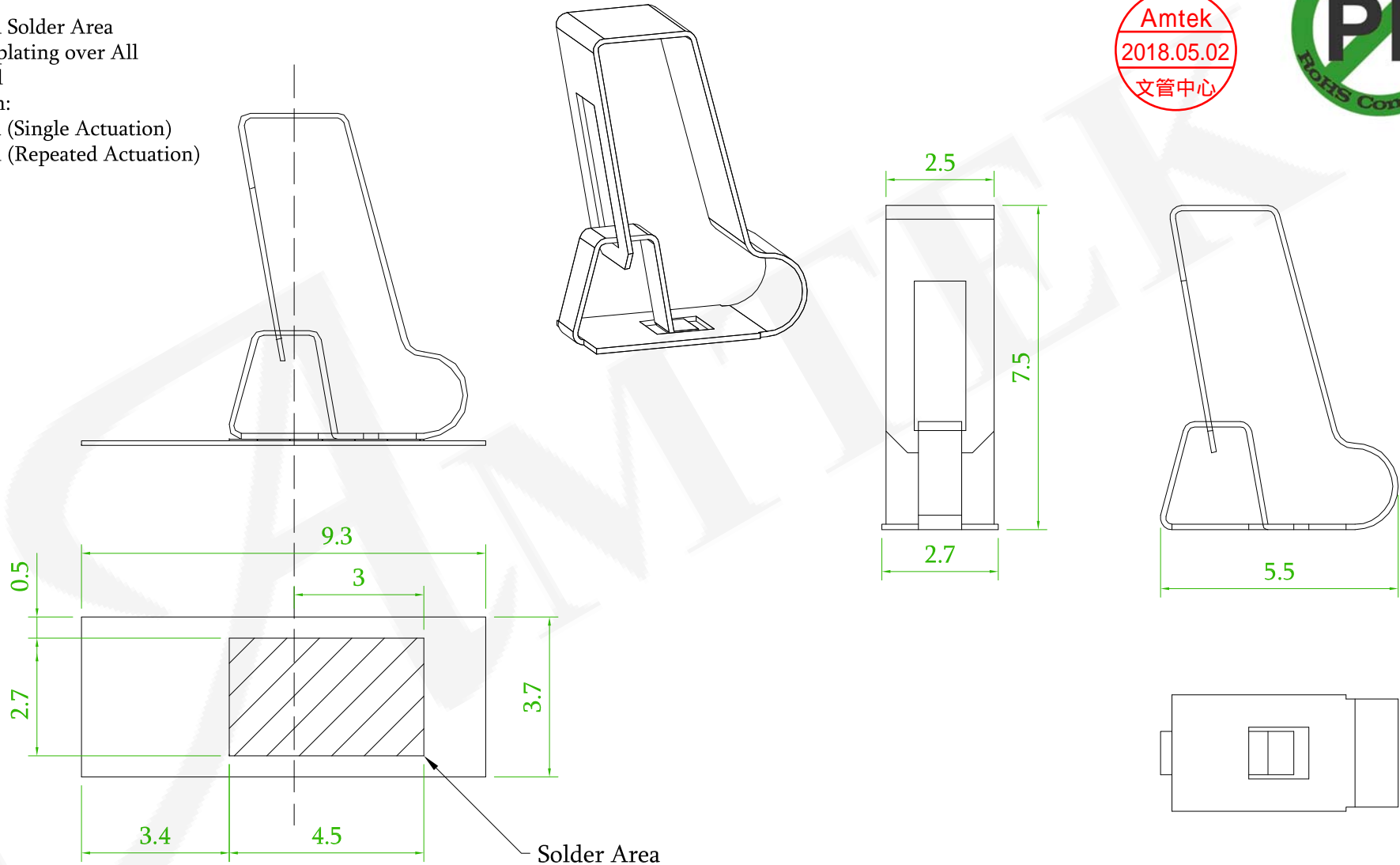



NOTE

Material: Be-Cu
 Thickness: 0.12mm
 Plated: Gold Flash on Solder Area
 Nickel Underplating over All
 Package: Tape & Reel
 Height of Application:
 6.3mm to 7.0mm (Single Actuation)
 6.4mm to 7.0mm (Repeated Actuation)



Recommended PCB Layout
 (PCB TOLERANCE ±0.1)

REV.	ECN NO. OR DESCRIPTION	REVISED	DATE

 糧德精密有限公司 Amtek Technology Co., Ltd. TEL: 886-2-2260-6878 FAX: 886-2-2260-8030	品名 TITLE	EMI SPRING			頁數 Page	1/1
	品號 PART NO.	3SSQ-NN75NN-NNNNG			繪圖 DRAWN	Gary 2018/05/02
	圖號 DRAWING NO.	GW271-GB103	版本 REV.	A	核對 CHECKED	Josh 2018/05/02
	客戶品號 CUSTOMER P/N		比例 SCALE	None	承認 APPROVED	Jason 2018/05/02
	公差 TOLERANCE	±0.30	單位 UNIT	mm	THIRD ANGLE PROJECTION	