

**NOTE**

Material: Be-Cu

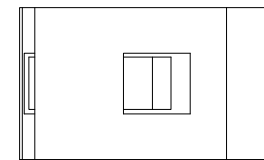
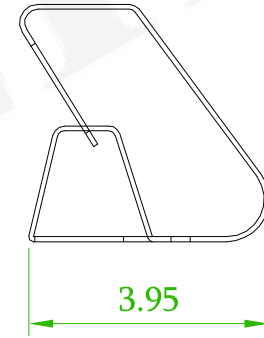
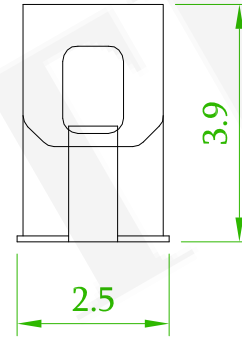
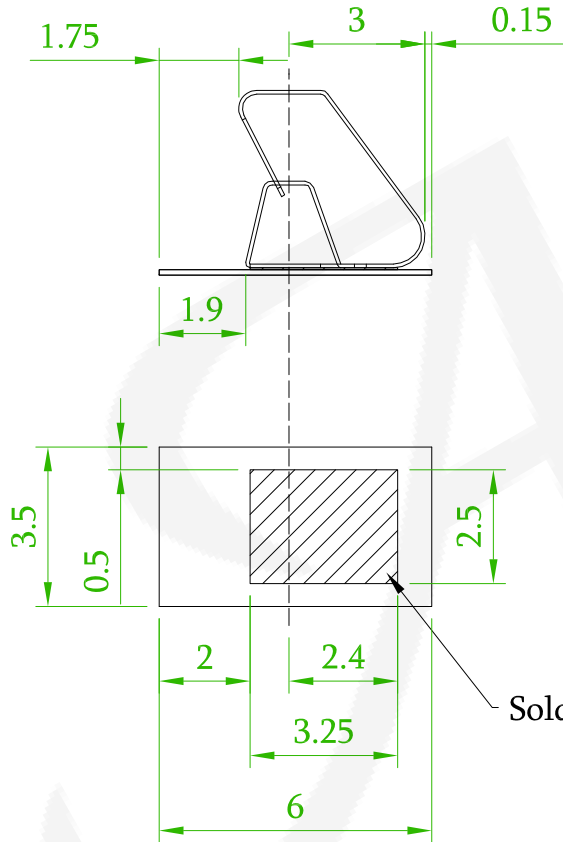
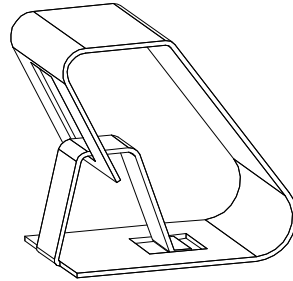
Thickness: 0.08mm

Plated: Gold Flash

Nickel Underplating over All


Height of Application: 2.5 to 3.6mm (Single Actuation)

2.4 to 3.6mm (Repeated Actuation)



Recommended PCB Layout  
(PCB TOLERANCE  $\pm 0.1$ )

REV.	ECN NO. OR DESCRIPTION	REVISED	DATE

 <b>Amtek Technology Co., Ltd.</b> TEL: 886-2-2260-6878 FAX: 886-2-2260-8030	品名 TITLE	EMI SPRING			頁數 Page	1/1
	品號 PART NO.	3SSQ-NN39NN-NNNNG			繪圖 DRAWN	Gary 2018/05/03
	圖號 DRAWING NO.	GW271-GB119	版本 REV.	A	核對 CHECKED	Josh 2018/05/03
	客戶品號 CUSTOMER P/N		比例 SCALE	None	承認 APPROVED	Jason 2018/05/03
	公差 TOLERANCE	$\pm 0.30$	單位 UNIT	mm	THIRD ANGLE PROJECTION	