

NOTE

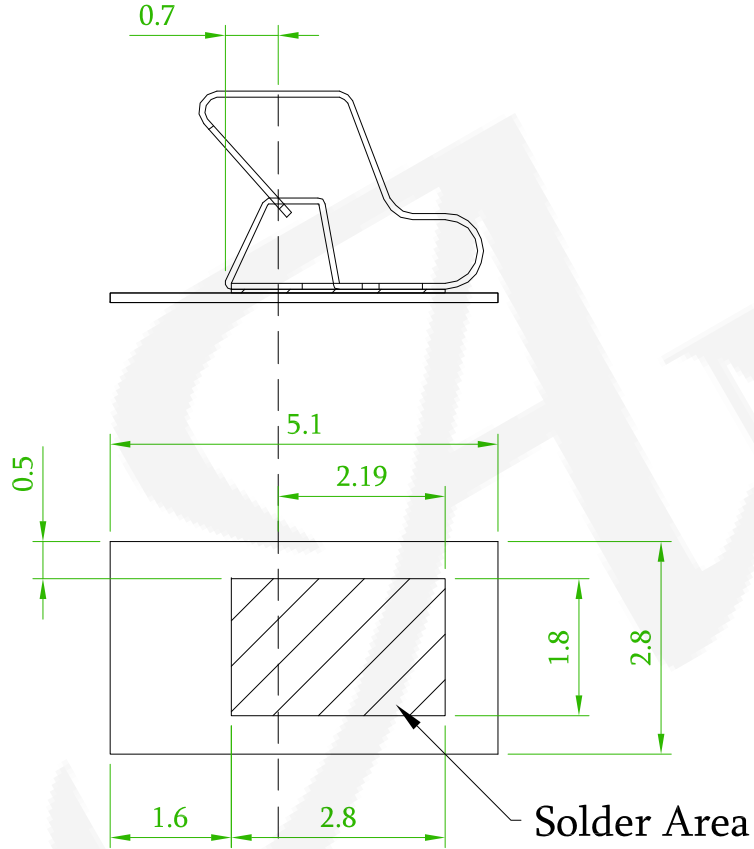
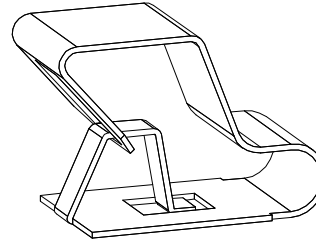
Material: Copper Alloy

Thickness: 0.08mm

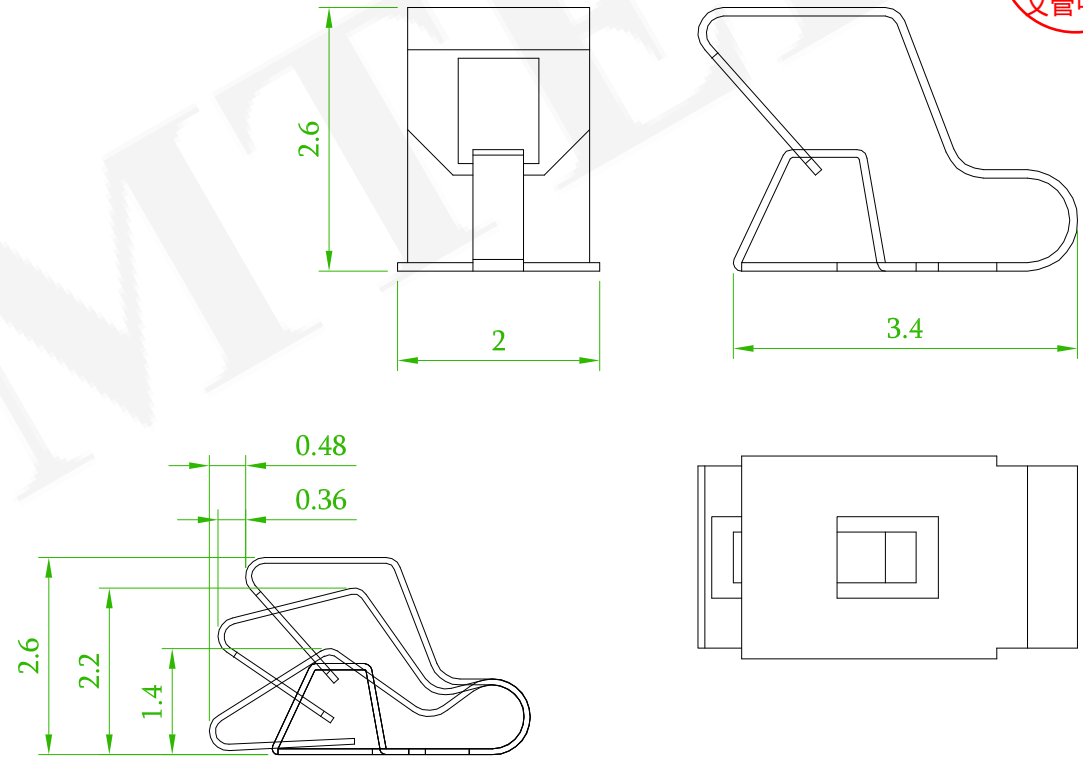
Plated: Au

Height of Application: 1.70 to 2.30mm (Single Actuation)


1.80 to 2.30mm (Repeated Actuation)



Recommended PCB Layout
(PCB TOLERANCE ± 0.1)



REV.	ECN NO. OR DESCRIPTION	REVISED	DATE

 耀德精密有限公司 Amtek Technology Co., Ltd. TEL: 886-2-2260-6878 FAX: 886-2-2260-8030	品名 TITLE	EMI SPRING			頁數 Page	1/1
	品號 PART NO.	3SSQ-NN26NN-NNQ1G			繪圖 DRAWN	Gary 2018/05/03
	圖號 DRAWING NO.	GW271-GB118	版本 REV.	A	核對 CHECKED	Josh 2018/05/03
	客戶品號 CUSTOMER P/N		比例 SCALE	None	承認 APPROVED	Jason 2018/05/03
	公差 TOLERANCE	± 0.20	單位 UNIT	mm	THIRD ANGLE PROJECTION	