

NOTE

Material: Titanium Copper

Thickness: 0.08mm

Plated: Gold Flash on Contact Area

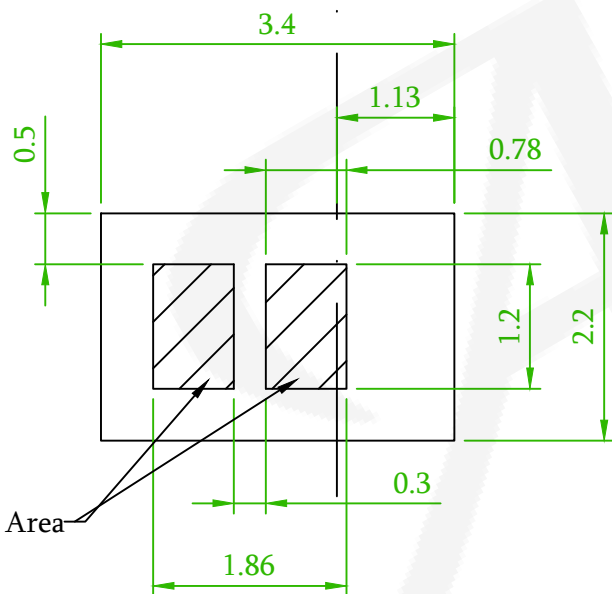
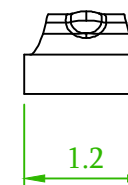
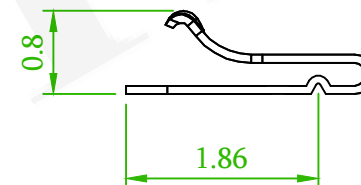
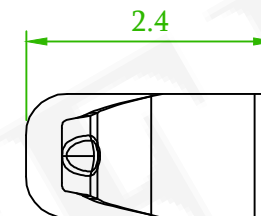
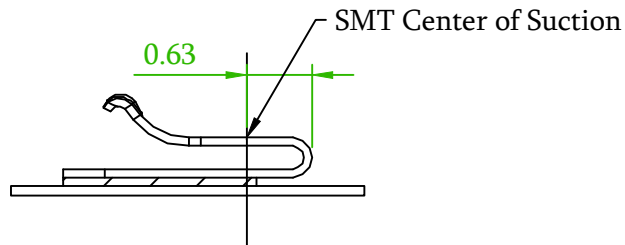
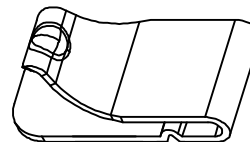
Gold Flash on Solder Area

Nickel Underplating over All

Height of Application: 0.40 to 0.50mm (Single Actuation)

0.45 to 0.50mm (Repeated Actuation)

Packaging: Reel with Adhesive Cover Tape Sealing



Solder Area

Recommended PCB Layout
(PCB TOLERANCE ± 0.1)

 糧德精密有限公司 Amtek Technology Co., Ltd. TEL: 886-2-2260-6878 FAX: 886-2-2260-8030	品名 TITLE	EMI SPRING			頁數 Page	1/1	
	品號 PART NO.	3SSL-NN08NN-A1Q2G		繪圖 DRAWN	Gary 2018/05/03		
	圖號 DRAWING NO.	GW271-GB117	版本 REV.	A	核對 CHECKED	Josh 2018/05/03	
	客戶品號 CUSTOMER P/N		比例 SCALE	None	承認 APPROVED	Jason 2018/05/03	
	公差 TOLERANCE	± 0.20	單位 UNIT	mm	THIRD ANGLE PROJECTION		

REV.	ECN NO. OR DESCRIPTION	REVISED	DATE