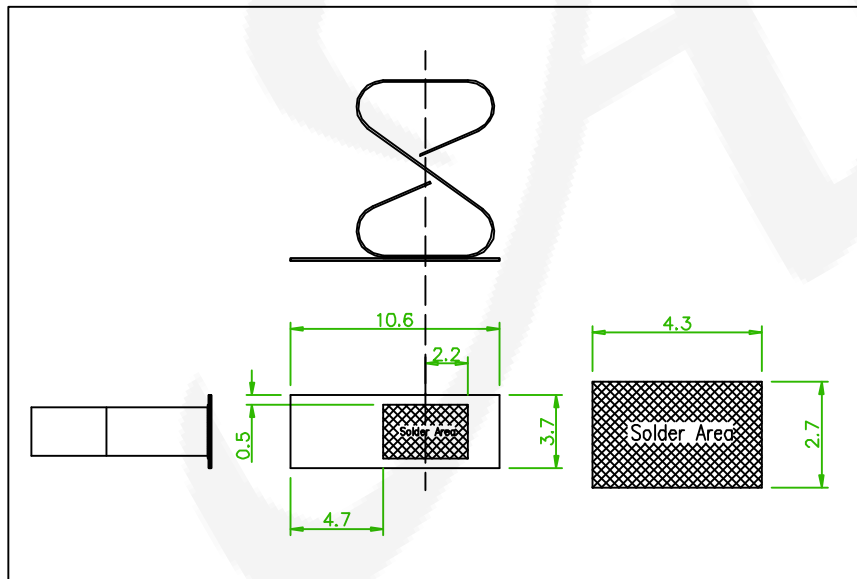
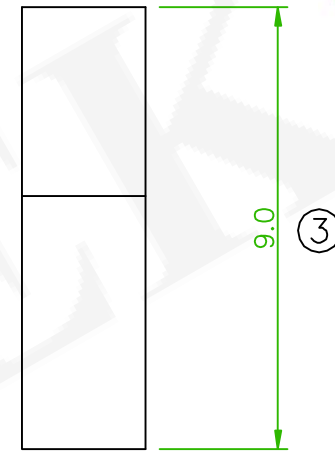
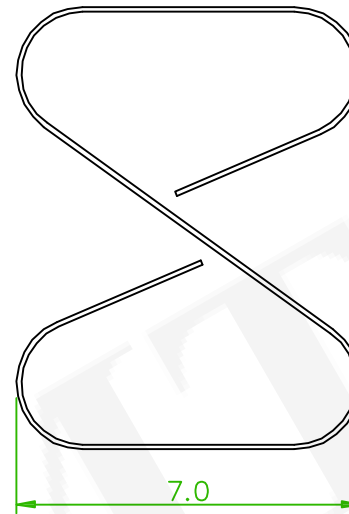
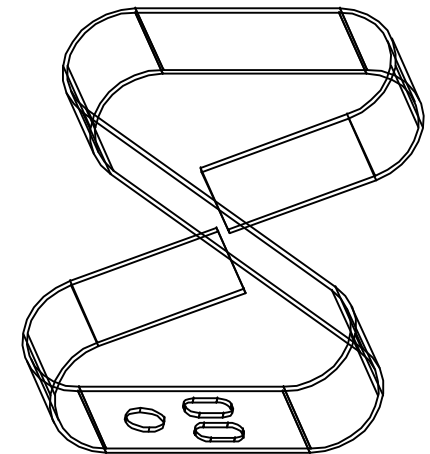
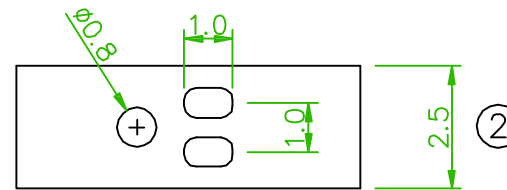


**NOTE**


1. Material: BeCu
2. Thickness: 0.10mm
3. Electroplate:  
Gold Flash plating over all  
Nickel under plating over all
4. Height of Application:  
5.70~8.70mm (Repeated actuation)  
5.60~8.70mm (Single actuation)
5. Preservation time: Nine month
6. Conform: RoHS



PCB Recommend Layout Pattern



REV.	ECN NO. OR DESCRIPTION	REVISED	DATE



**耀德精密有限公司**  
Amtek Technology Co., Ltd.  
TEL: 886-2-2260-6878  
FAX: 886-2-2260-8030

品名 TITLE	EMI SPRING				頁數 Page	1/1
品號 PART NO.	3SS8-NN90NN-NNRCG			繪圖 DRAWN	Nick 2020/01/17	
圖號 DRAWING NO.	GW271-NI749	版本 REV.	A	核對 CHECKED	Josh 2020/01/17	
客戶品號 CUSTOMER P/N		比例 SCALE	None	承認 APPROVED	Josh 2020/01/17	
公差 TOLERANCE	$\leq 30 \pm 0.3$ $30 < \leq 120 \pm 0.4$ ANGLES $\pm 2.5^\circ$	$120 < \leq 300 \pm 0.5$ $300 < \pm 0.8$	單位 UNIT	mm	THIRD ANGLE PROJECTION	