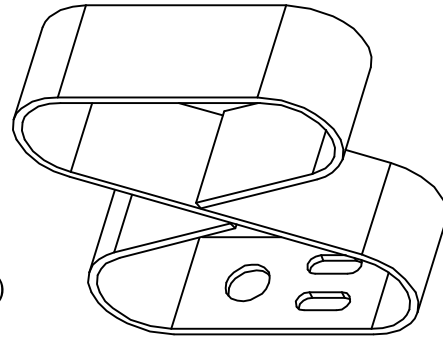
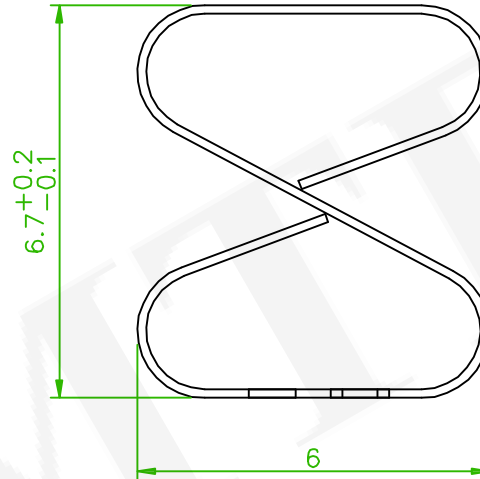


**NOTE**

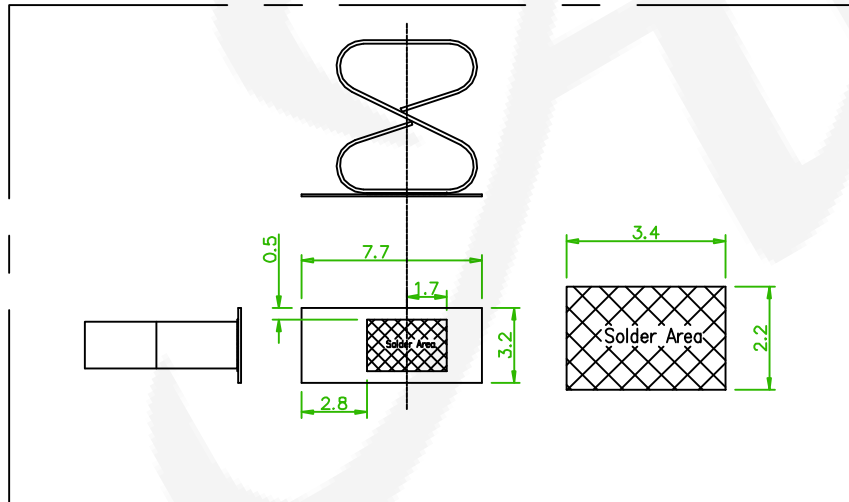
1. Material: BeCu
2. Thickness: 0.15mm
3. Electroplate:  
Gold Flash plating over all  
Nickel under plating over all
4. Height of Application:  
4.50~6.20mm (Single actuation)  
4.50~6.20mm (Repeated actuation)
5. Preservation time: Nine month
6. Conform: RoHS



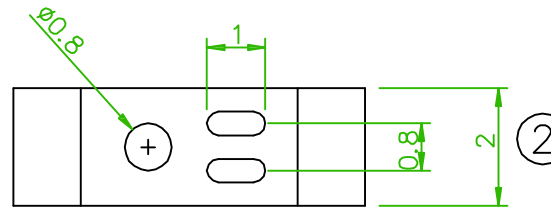
③



①




PCB Recommend Layout Pattern



②

REV.	ECN NO. OR DESCRIPTION	REVISED	DATE

 耀德精密有限公司 Amtek Technology Co., Ltd. TEL: 886-2-2260-6878 FAX: 886-2-2260-8030	品名 TITLE	EMI SPRING			頁數 Page	1/1
	品號 PART NO.	3SS8-NN67NN-NNNNG			繪圖 DRAWN	Nick 2020/01/17
	圖號 DRAWING NO.	GW271-NI748	版本 REV.	A	核對 CHECKED	Josh 2020/01/17
	客戶品號 CUSTOMER P/N		比例 SCALE	None	承認 APPROVED	Josh 2020/01/17
	公差 TOLERANCE	≤30±0.3 30<-≤120±0.4 ANGLES±2.0°	120<-≤300±0.5 300<±0.8	單位 UNIT	mm	THIRD ANGLE PROJECTION