

NOTE

Material: Titanium Copper

Thickness: 0.12mm

Electroplate:

Gold Flash plating on Contact area

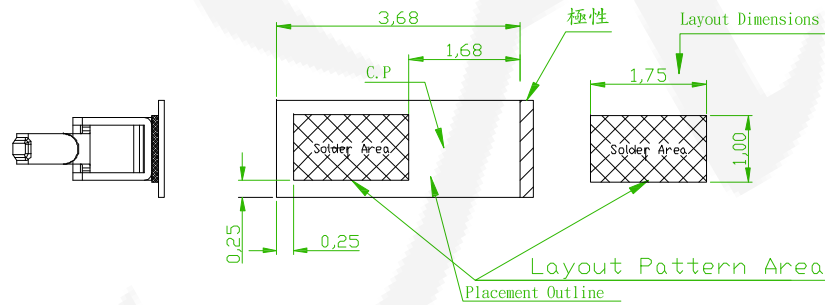
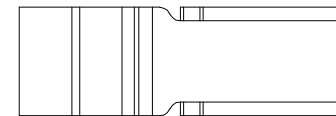
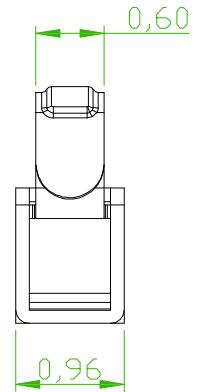
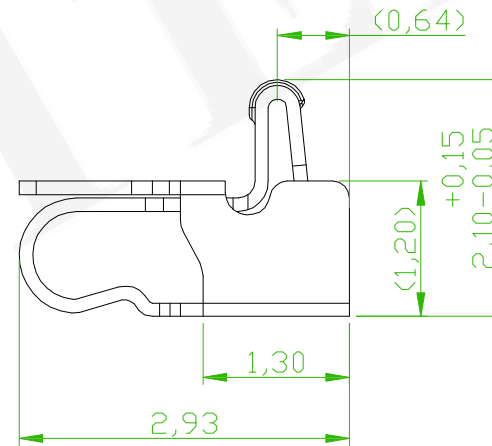
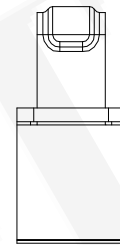
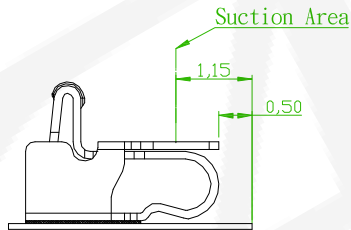
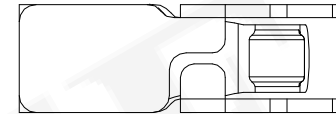
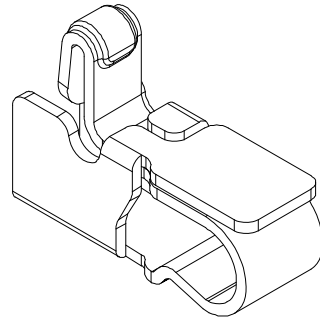
Gold Flash on Solder area

Nickel Underplating over All

Height of Application:


1.25 to 1.7mm (Single actuation)

1.30 to 1.7mm (Repeated actuation)



Recommended PCB Layout
(PCB TOLERANCE ± 0.1)

REV.	ECN NO. OR DESCRIPTION	REVISED	DATE

 糧德精密有限公司 Amtek Technology Co., Ltd. TEL: 886-2-2260-6878 FAX: 886-2-2260-8030	品名 TITLE	EMI SPRING			頁數 Page	1/1
	品號 PART NO.	3SQT-NN21NN-NNNG			繪圖 DRAWN	Elisa 2019/03/14
	圖號 DRAWING NO.	GW271-EI013	版本 REV.	A	核對 CHECKED	Josh 2019/03/14
	客戶品號 CUSTOMER P/N		比例 SCALE	None	承認 APPROVED	Josh 2019/03/14
	公差 TOLERANCE	± 0.20	單位 UNIT	mm	THIRD ANGLE PROJECTION	