

**NOTE**

Material: Titanium Copper

Thickness: 0.10mm

Electroplate:

Gold Flash plating on Contact area

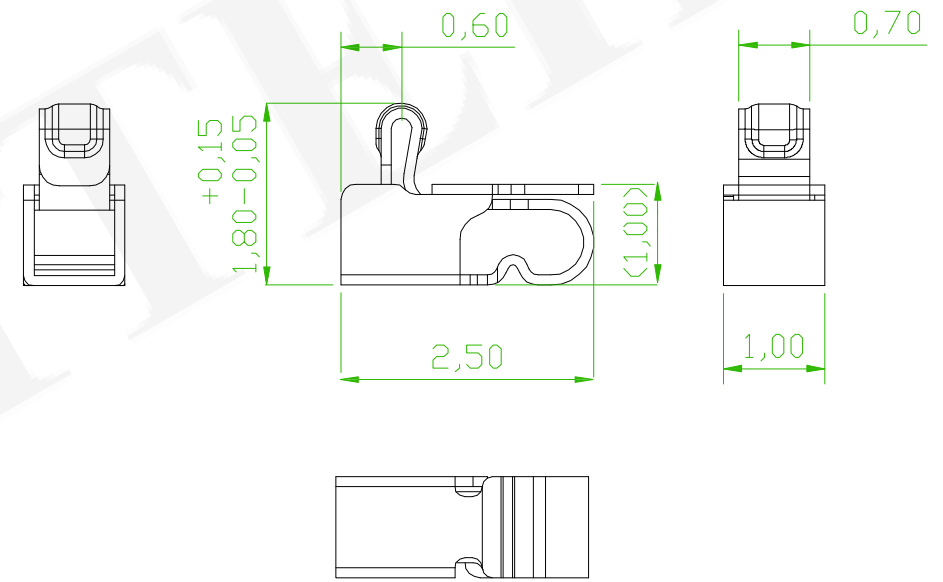
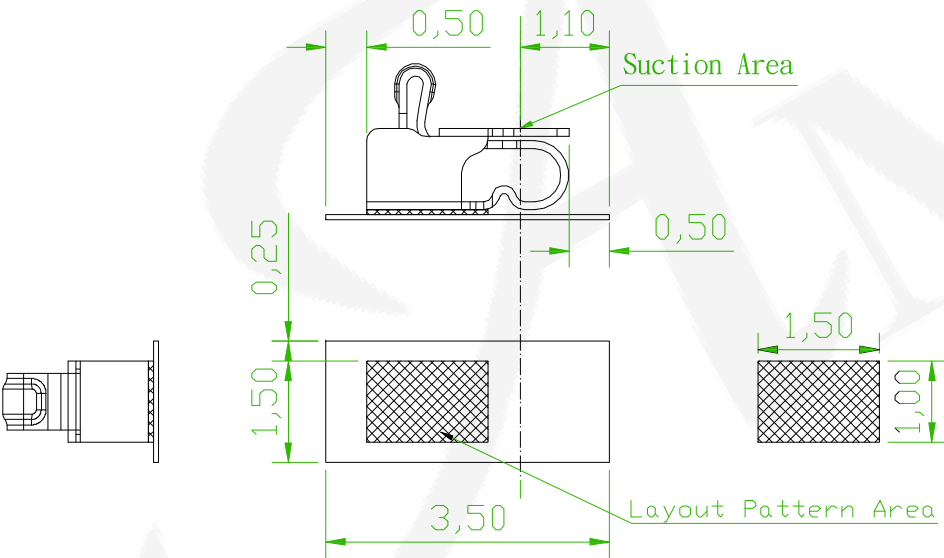
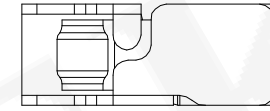
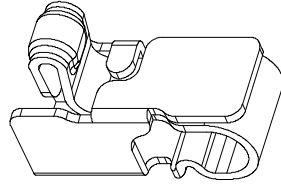
Gold Flash on Solder area

Nickel Underplating over All

Height of Application:

1.05 to 1.40mm (Single actuation)

1.10 to 1.40mm (Repeated actuation)



Recommended PCB Layout  
(PCB TOLERANCE  $\pm 0.1$ )

REV.	ECN NO. OR DESCRIPTION	REVISED	DATE

糧德精密有限公司  
Amtek Technology Co., Ltd.  
TEL: 886-2-2260-6878  
FAX: 886-2-2260-8030

品名 TITLE	EMI SPRING				頁數 Page	1/1
品號 PART NO.	3SQT-NN18NN-NNNG			繪圖 DRAWN	Elisa 2019/03/14	
圖號 DRAWING NO.	GW271-EI025	版本 REV.	A	核對 CHECKED	Josh 2019/03/14	
客戶品號 CUSTOMER P/N		比例 SCALE	None	承認 APPROVED	Josh 2019/03/14	
公差 TOLERANCE	$\pm 0.20$	單位 UNIT	mm	THIRD ANGLE PROJECTION		