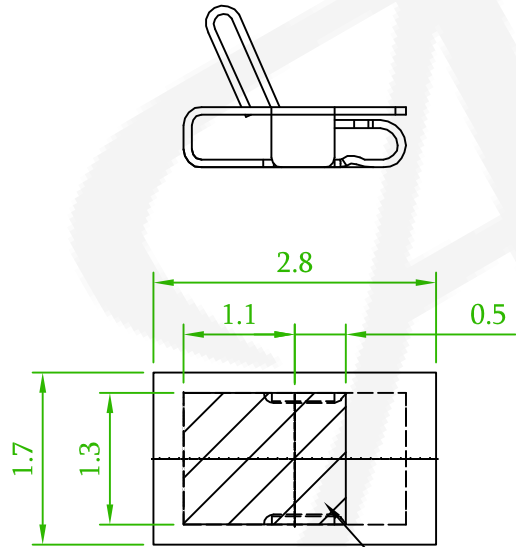
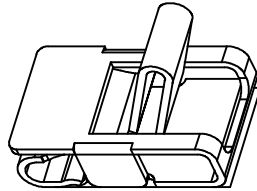


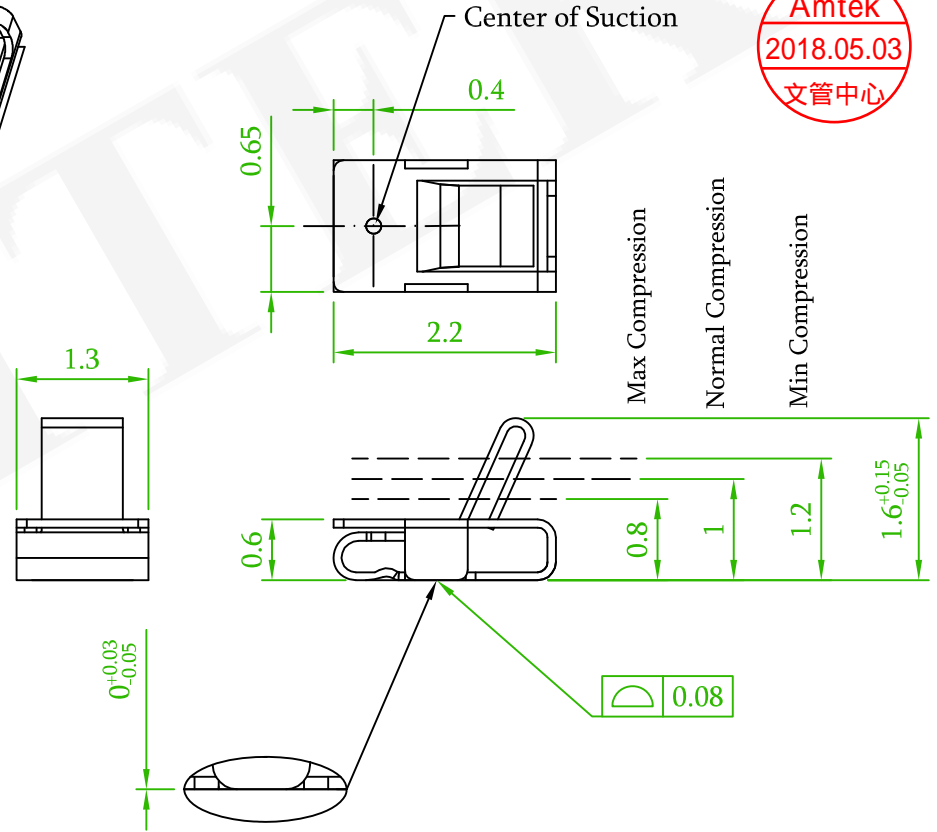
NOTE

Material: Titanium Copper
 Thickness: 0.08mm
 Plated: Au 1~3u" on Contact area
 Gold Flash on Solder area
 Nickel Underplating over All
 Current Rating 1.5A, 5V
 Contact Resistance: 30mΩ Min.(Normal Compression)
 Preservation Time: 6 Months
 Operation Temperature: -20°C to +85°C




Solder Area

Recommended PCB Layout
 (PCB TOLERANCE ±0.1)



REV.	ECN NO. OR DESCRIPTION	REVISED	DATE

 糧德精密有限公司 Amtek Technology Co., Ltd. TEL: 886-2-2260-6878 FAX: 886-2-2260-8030	品名 TITLE	EMI SPRING			頁數 Page	1/1
	品號 PART NO.	3SQT-NN16NN-NNA2G			繪圖 DRAWN	Gary 2018/05/03
	圖號 DRAWING NO.	GW271-GB114	版本 REV.	A	核對 CHECKED	Josh 2018/05/03
	客戶品號 CUSTOMER P/N		比例 SCALE	None	承認 APPROVED	Jason 2018/05/03
	公差 TOLERANCE	±0.20	單位 UNIT	mm	THIRD ANGLE PROJECTION	