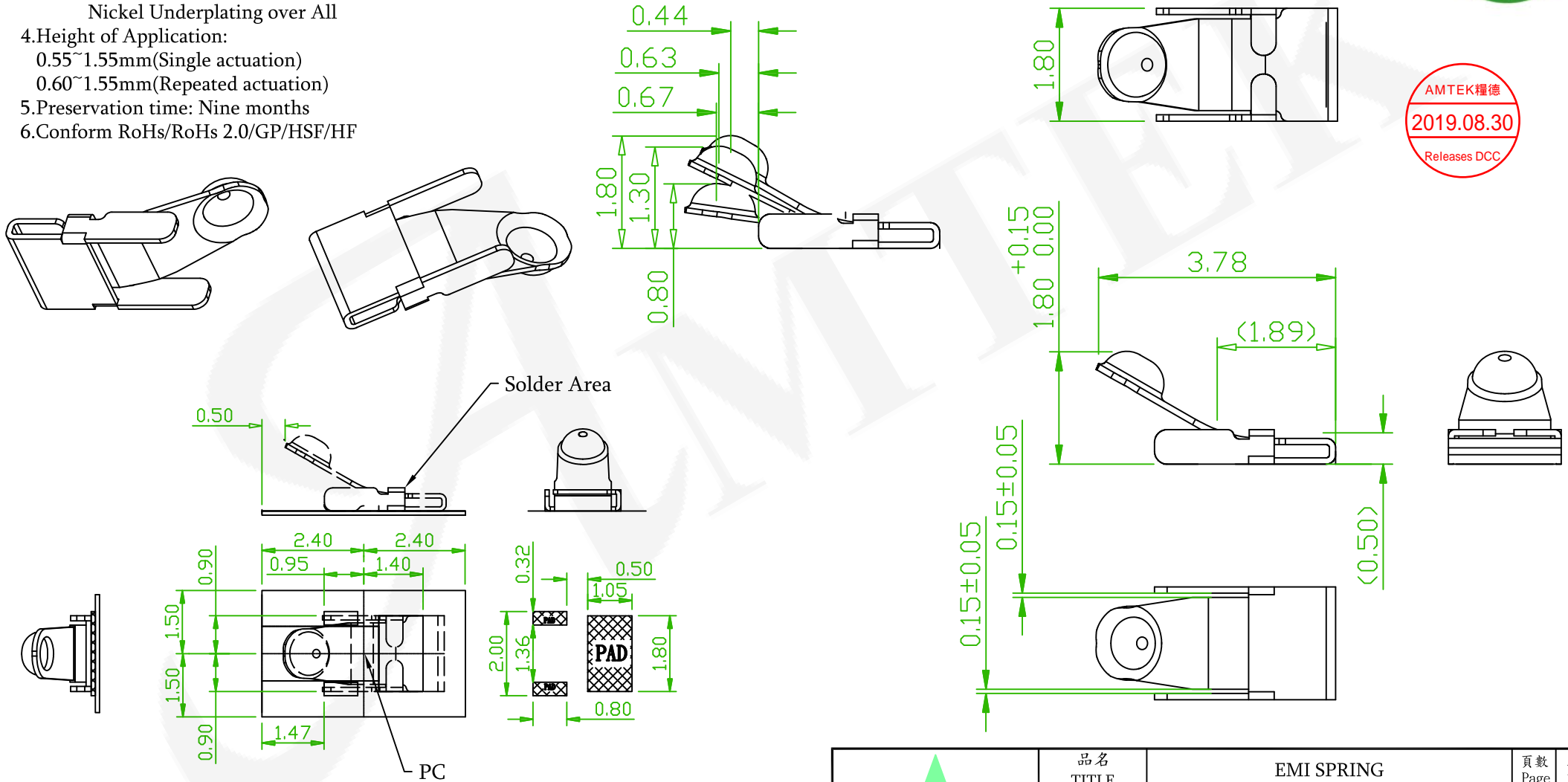


**NOTE**

1. Material: Copper alloy
2. Thickness: 0.10mm
3. Electroplate:
  - Gold Flash on contact area
  - Gold Flash on Solder area
  - Nickel Underplating over All
4. Height of Application:
  - 0.55~1.55mm(Single actuation)
  - 0.60~1.55mm(Repeated actuation)
5. Preservation time: Nine months
6. Conform RoHs/RoHs 2.0/GP/HSF/HF



Recommended PCB Layout  
(PCB TOLERANCE ±0.1)

REV.	ECN NO. OR DESCRIPTION	REVISED	DATE

**糧德精密有限公司**  
Amtek Technology Co., Ltd.  
TEL: 886-2-2260-6878  
FAX: 886-2-2260-8030

品名 TITLE	EMI SPRING				頁數 Page	1/1
品號 PART NO.	3SQQ-NN18NN-NNQ1G				繪圖 DRAWN	Nick 2019/08/30
圖號 DRAWING NO.	GW271-NI337	版本 REV.	A	核對 CHECKED	Josh 2019/08/30	
客戶品號 CUSTOMER P/N		比例 SCALE	None	承認 APPROVED	Josh 2019/08/30	
公差 TOLERANCE	±0.20	單位 UNIT	mm	THIRD ANGLE PROJECTION		