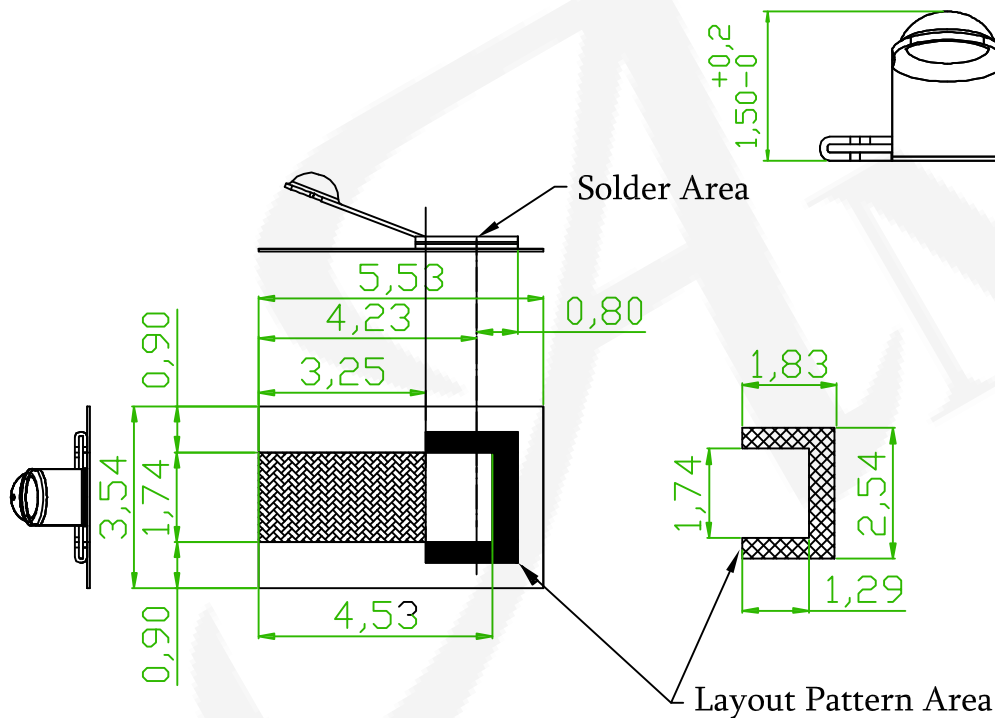
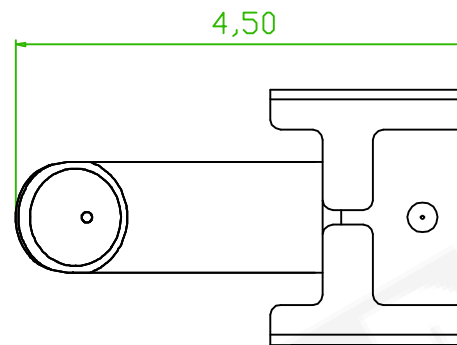
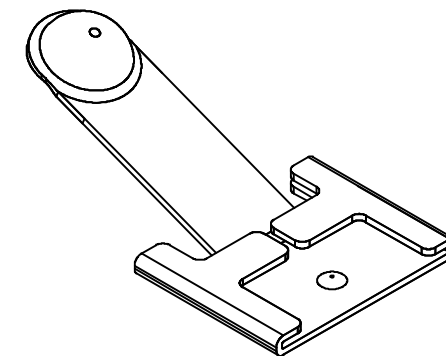
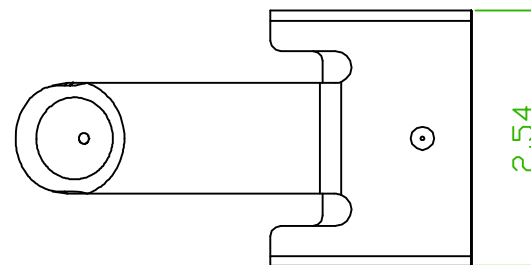
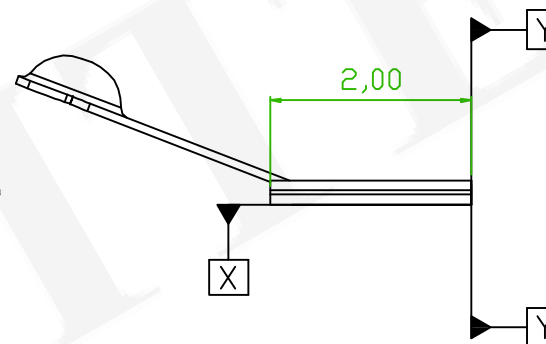


NOTE

1. Material: Be-Cu
2. Thickness: 0.08mm
3. Electroplate:
 - Gold Flash on contact area
 - Gold Flash on Solder area
 - Nickel Underplating over All
4. Height of Application:
 - 0.35~1.00mm(Single actuation)
 - 0.40~1.00mm(Repeated actuation)
5. Hot Treatment: HV360~410



Recommended PCB Layout
(PCB TOLERANCE ± 0.1)



| REV. | ECN NO. OR DESCRIPTION | REVISED | DATE |
|------|------------------------|---------|------|
| | | | |
| | | | |
| | | | |

糧德精密有限公司
Amtek Technology Co., Ltd.
TEL: 886-2-2260-6878
FAX: 886-2-2260-8030

| 品名 TITLE | EMI SPRING | | | | 頁數 Page | 1/1 |
|----------------------|-------------------|-------------|------|------------------------------|--------------------|-----|
| 品號 PART NO. | 3SQQ-NN15NN-NNNNG | | | 繪圖 DRAWN | Nick 2019/08/30 | |
| 圖號 DRAWING NO. | GW271-NI335 | 版本 REV. | A | 核對 CHECKED | Josh 2019/08/30 | |
| 客戶品號 CUSTOMER P/N | | 比例 SCALE | None | 承認 APPROVED | Josh 2019/08/30 | |
| 公差 TOLERANCE | ± 0.20 | 單位 UNIT | mm | THIRD ANGLE PROJECTION | | |