

**NOTE**

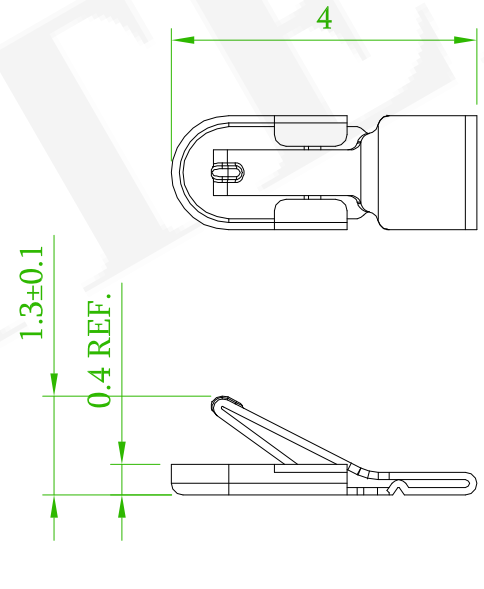
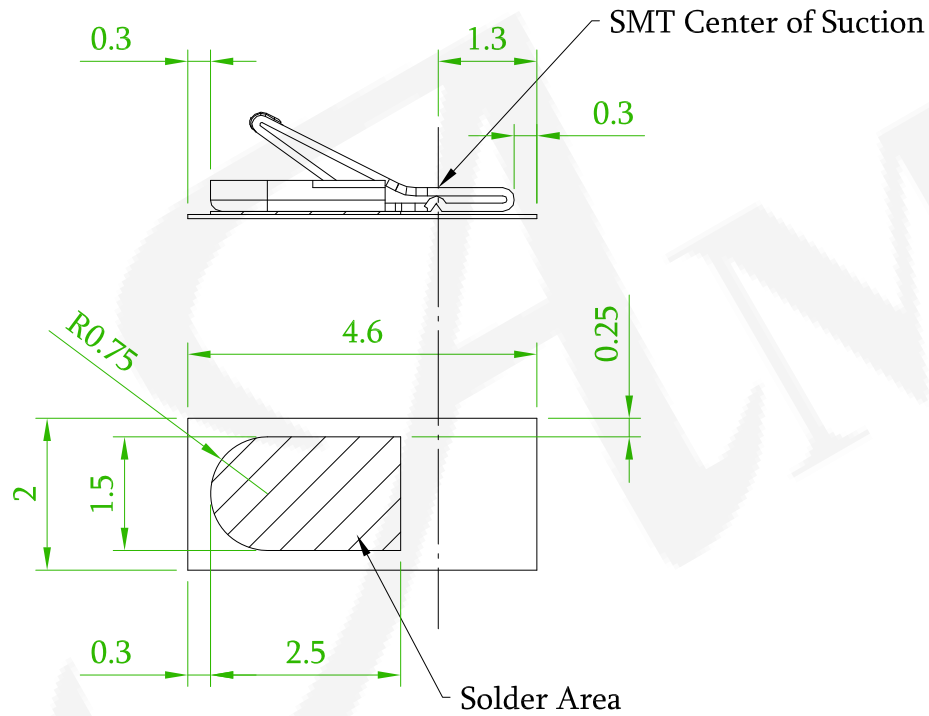
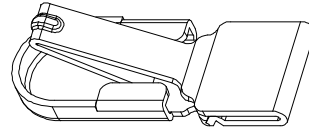
Material: Copper Alloy

Thickness: 0.1mm

Plated: Au 1u" Min.


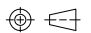
Height of Application: 0.45 to 0.9mm (Single Actuation)

0.55 to 0.9mm (Repeated Actuation)



Recommended PCB Layout  
(PCB TOLERANCE ±0.1)

| REV. | ECN NO. OR DESCRIPTION | REVISED | DATE |
|------|------------------------|---------|------|
|      |                        |         |      |

|  |                      |                   |             |      |                              |   |
|--|----------------------|-------------------|-------------|------|------------------------------|---|
| <br><b>糧德精密有限公司</b><br>Amtek Technology Co., Ltd.<br>TEL: 886-2-2260-6878<br>FAX: 886-2-2260-8030 | 品名<br>TITLE          | EMI SPRING        |             |      | 頁數<br>Page                   | 1/1   |
|  | 品號<br>PART NO.       | 3SQQ-NN13NN-NNQ1G |             |      | 繪圖<br>DRAWN                  | Gary<br>2018/05/03  |
|  | 圖號<br>DRAWING NO.    | GW271-GB112       | 版本<br>REV.  | A    | 核對<br>CHECKED                | Josh<br>2018/05/03  |
|  | 客戶品號<br>CUSTOMER P/N |                   | 比例<br>SCALE | None | 承認<br>APPROVED               | Jason<br>2018/05/03   |
|  | 公差<br>TOLERANCE      | ±0.20             | 單位<br>UNIT  | mm   | THIRD<br>ANGLE<br>PROJECTION |  |