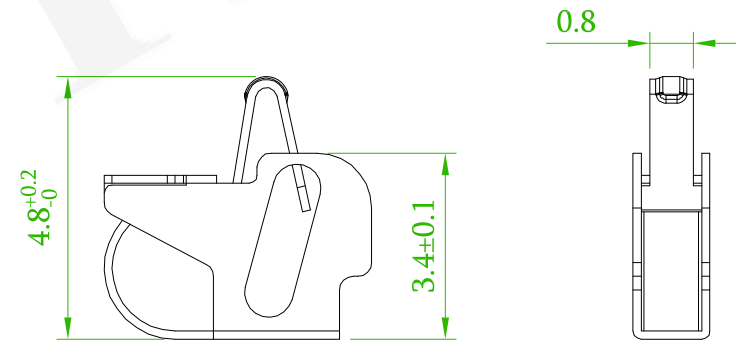
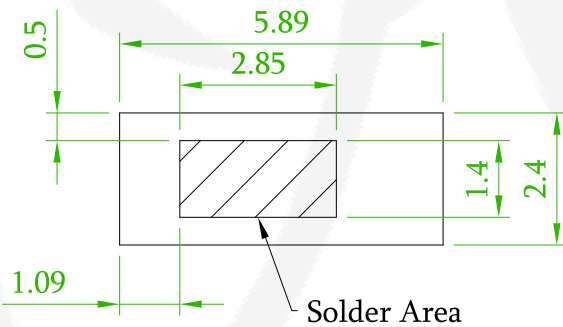
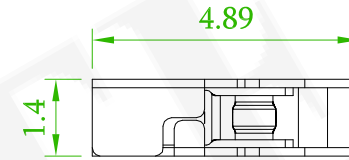
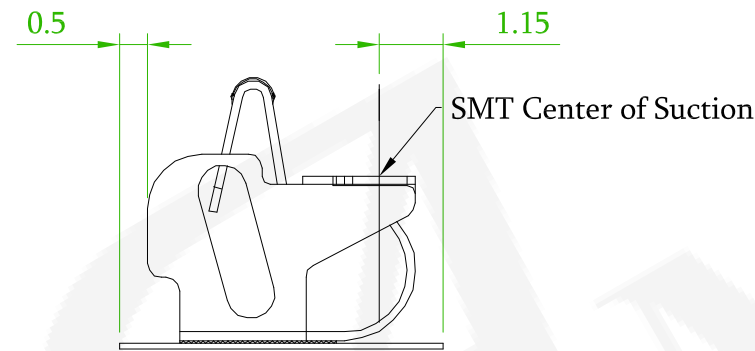
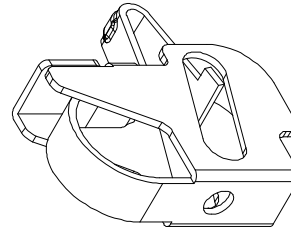



**NOTE**

Material: Beryllium Copper  
 Thickness: 0.15mm  
 Plated: Au 1u" Min  
 Height of Application: 3.50 to 4.40mm



Recommended PCB Layout  
 (PCB TOLERANCE ±0.1)

REV.	ECN NO. OR DESCRIPTION	REVISED	DATE



**糧德精密有限公司**  
 Amtek Technology Co., Ltd.  
 TEL: 886-2-2260-6878  
 FAX: 886-2-2260-8030

品名 TITLE	EMI SPRING				頁數 Page	1/1
品號 PART NO.	3SQM-NN48NN-NNNNG			繪圖 DRAWN	Gary 2018/05/18	
圖號 DRAWING NO.	GW271-GB158	版本 REV.	A	核對 CHECKED	Josh 2018/05/18	
客戶品號 CUSTOMER P/N		比例 SCALE	None	承認 APPROVED	Jason 2018/05/18	
公差 TOLERANCE	±0.20	單位 UNIT	mm	THIRD ANGLE PROJECTION	