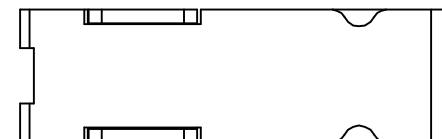
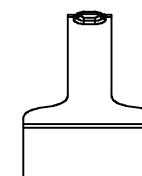
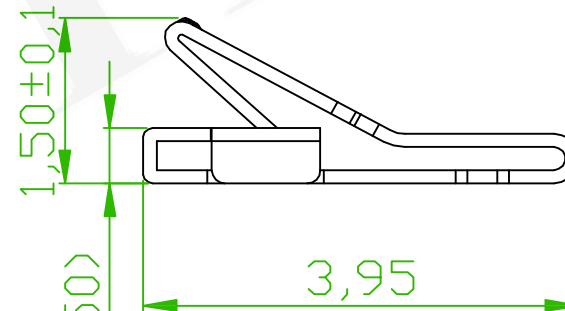
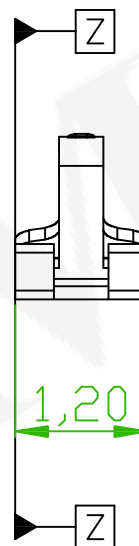
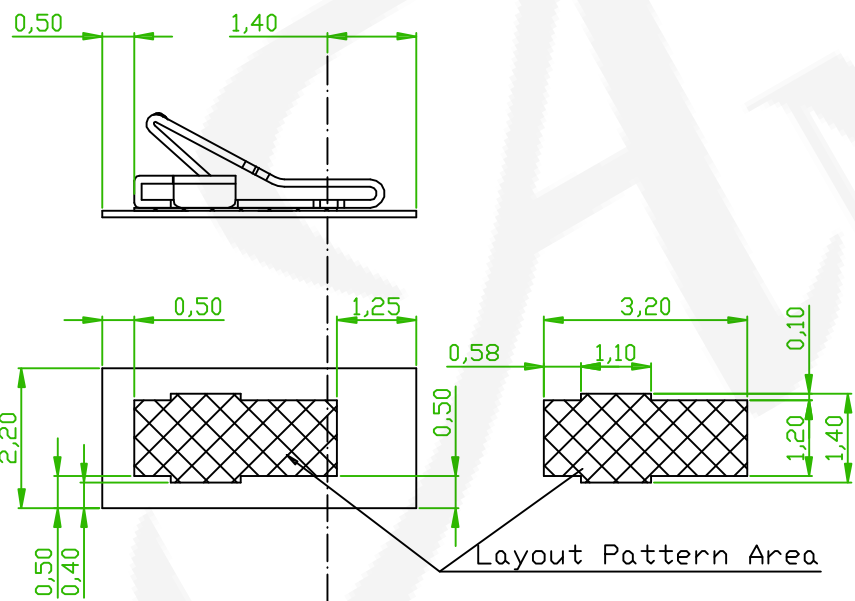
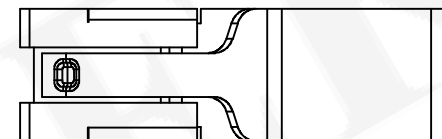
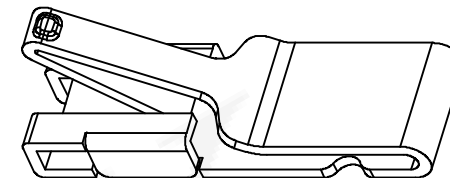



NOTE

- 1. Material: Beryllium copper
- 2. Thickness: 0.12mm
- 3. Electroplate:
 - Au >1u" on contact area
 - Gold Flash on Solder area
 - Nickel Underplating over All
- 4. Height of Application:
 - 0.55~1.1mm(Single actuation)
 - 0.60~1.1mm(Repeated atuation)



PCB Recommend Layout Pattern

REV.	ECN NO. OR DESCRIPTION	REVISED	DATE

 糧德精密有限公司 Amtek Technology Co., Ltd. TEL: 886-2-2260-6878 FAX: 886-2-2260-8030	品名 TITLE	EMI SPRING			頁數 Page	1/1
	品號 PART NO.	3SQM-NN15NN-NNNNG			繪圖 DRAWN	Nick 2019/05/13
	圖號 DRAWING NO.	GW271-NI142	版本 REV.	A	核對 CHECKED	Josh 2019/05/13
	客戶品號 CUSTOMER P/N		比例 SCALE	None	承認 APPROVED	Josh 2019/05/13
	公差 TOLERANCE	±0.20	單位 UNIT	mm	THIRD ANGLE PROJECTION	