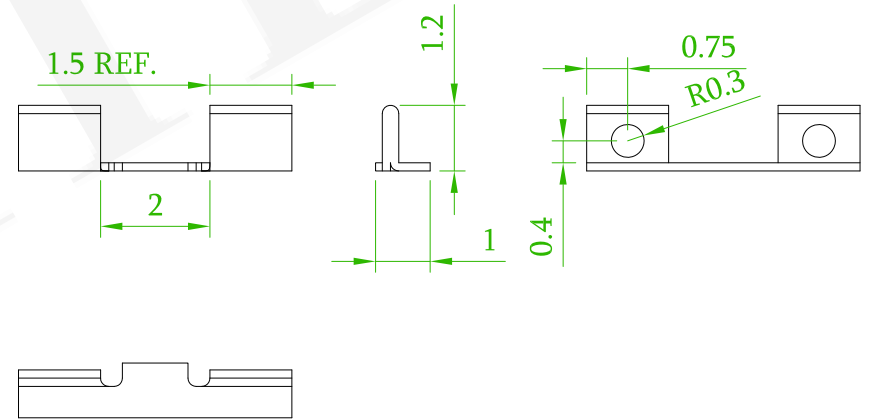
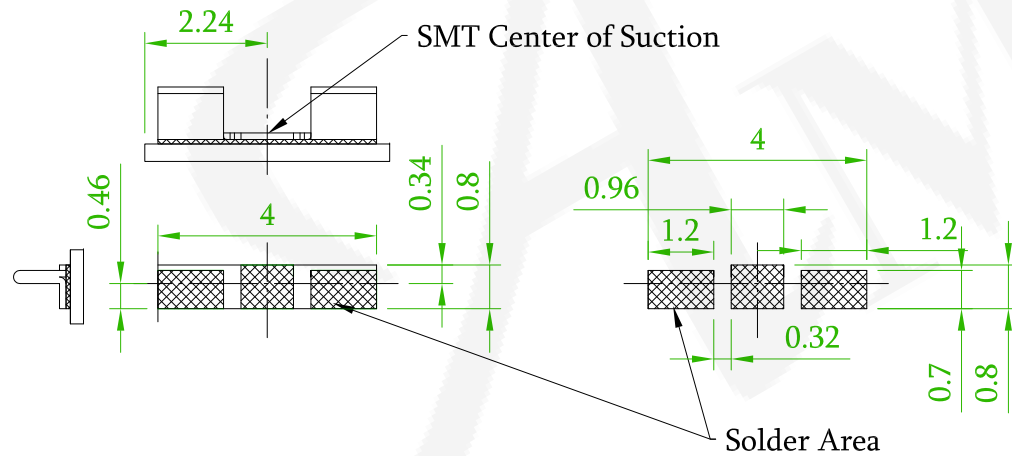
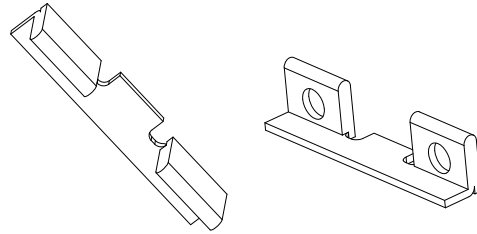


NOTE

Material: Stainless Steel
 Thickness: 0.15mm
 Plated: Matte Sn
 Nickel Underplating over all



AMTEK 糧德
 2019.03.05
 Released DCC



Recommended PCB Layout
 (PCB TOLERANCE ± 0.1)

REV.	ECN NO. OR DESCRIPTION	REVISED	DATE

 糧德精密有限公司 Amtek Technology Co., Ltd. TEL: 886-2-2260-6878 FAX: 886-2-2260-8030	品名 TITLE	EMI SPRING			頁數 Page	1/1
	品號 PART NO.	3SML-NN12NN-NNNNM			繪圖 DRAWN	Gary
	圖號 DRAWING NO.	GW271-GB910	版本 REV.	A	核對 CHECKED	Josh
	客戶品號 CUSTOMER P/N		比例 SCALE	None	承認 APPROVED	Josh
	公差 TOLERANCE	± 0.20	單位 UNIT	mm	THIRD ANGLE PROJECTION	