

**NOTE**

Material: EFCUBE-ST EH

Thickness: 0.08mm

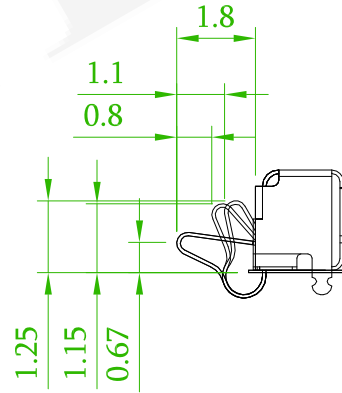
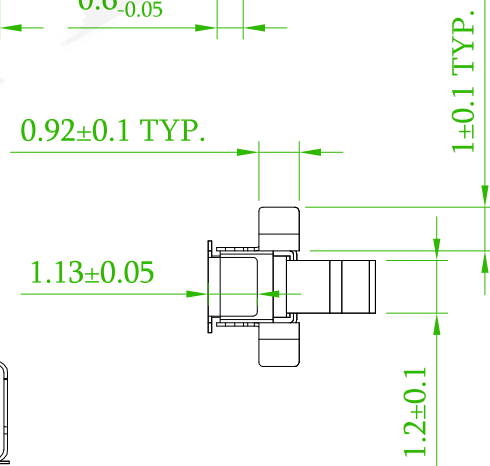
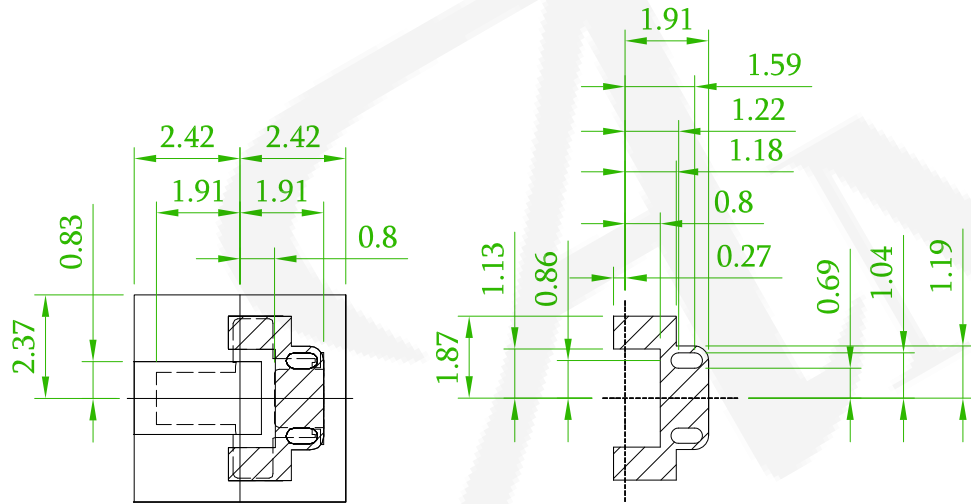
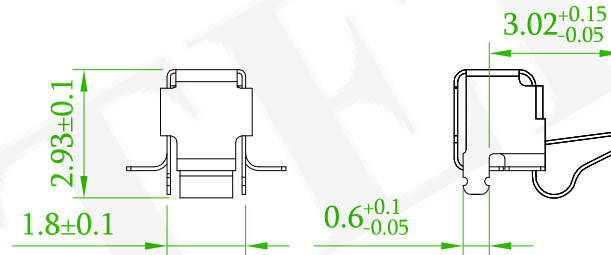
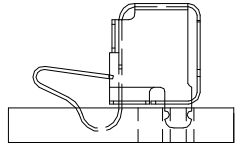
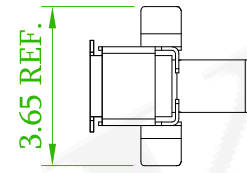
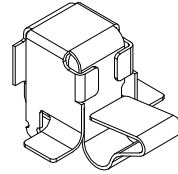
Plated: Gold Flash on Contact Area

Gold Flash on Solder Area

Nickel Underplating over All

Height of Application: 3.25 to 2.80mm(Single Actuation)

3.25 to 2.85mm(Repeated Actuation)



Recommended PCB Layout  
(PCB TOLERANCE ±0.1)

糧德精密有限公司  
Amtek Technology Co., Ltd.  
TEL: 886-2-2260-6878  
FAX: 886-2-2260-8030

品名 TITLE	EMI SPRING				頁數 Page	1/1
品號 PART NO.	3SJC-423037-NNQ1G			繪圖 DRAWN	Gary 2018/05/03	
圖號 DRAWING NO.	GW271-GB106	版本 REV.	A	核對 CHECKED	Josh 2018/05/03	
客戶品號 CUSTOMER P/N		比例 SCALE	None	承認 APPROVED	Jason 2018/05/03	
公差 TOLERANCE	±0.20	單位 UNIT	mm	THIRD ANGLE PROJECTION		

REV.	ECN NO. OR DESCRIPTION	REVISED	DATE