

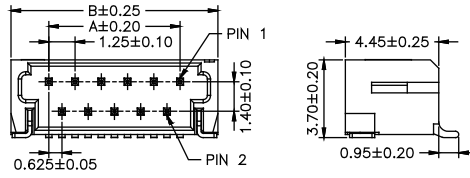
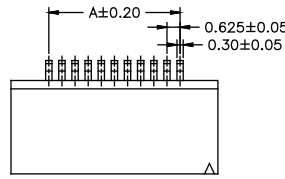
Old P/N.:1256 Series  
1257 Series

## 1.25mm Wafer SMT Right Angle Type

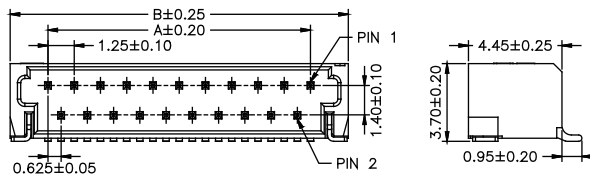
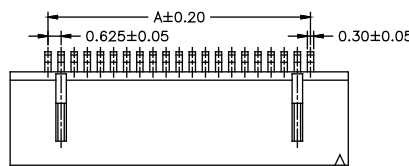
### Specifications

Current Rating: 1A AC,DC  
Voltage Rating: 200V AC,DC  
Temperature Range: -25°C to +85°C  
Contact Resistance: 40mΩ Max  
Insulation Resistance: 100MΩ Min  
Withstanding Voltage: 500V AC/minute  
Terminal: Phosphor Bronze / Gold Plated  
Solder Tabs: Phosphor Bronze / Tin Plated  
Material: Nylon 6T,UL94V-0

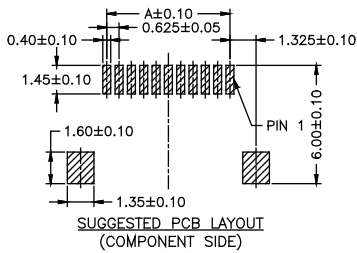
No. of Contacts	Dimensions	
	A	B
5	2.50	6.10
7	3.75	7.35
9	5.00	8.60
11	6.25	9.85
13	7.50	11.10
15	8.75	12.35
17	10.00	13.60
19	11.25	14.85
21	12.50	16.10
31	18.75	22.35
41	25.00	28.60



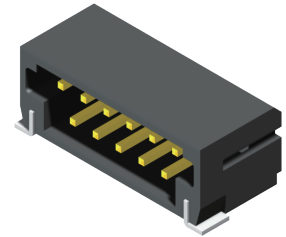
05,07,09,11 Contacts



13,15,17,19,21,31,41 Contacts



SUGGESTED PCB LAYOUT  
(COMPONENT SIDE)

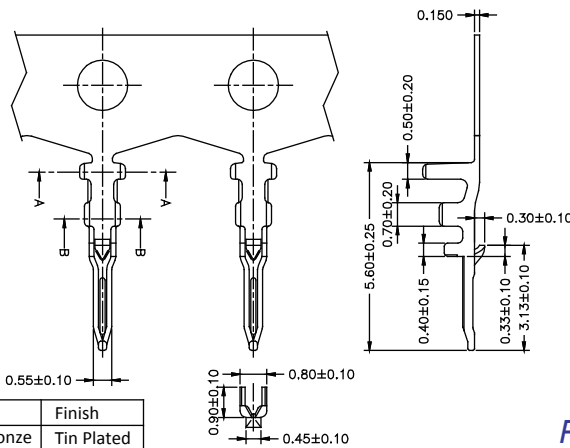
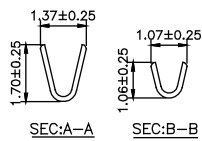


P/N.:5W1256H1-2XXG0BRU-01

## 1.25mm Terminal / Housing

### Specifications

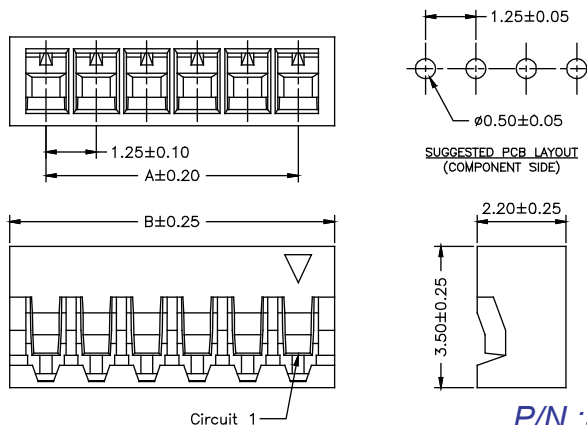
Current Rating: 1A AC,DC  
Voltage Rating: 125V AC,DC  
Temperature Range: -25°C to +85°C  
Contact Resistance: 20mΩ Max  
Insulation Resistance: 100MΩ Min  
Withstanding Voltage: 500V AC/minute  
Material: Nylon 66, UL94V-0



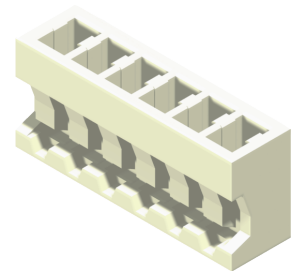
Wire Range	Insulation O.D.	Material	Finish
#28-#32	1.00mm(Max)	Phosphor Bronze	Tin Plated

P/N.:5T1257N-PT0R-01

No. of Contacts	Dimensions	
	A	B
2	1.25	3.05
3	2.50	4.30
4	3.75	5.55
5	5.00	6.80
6	6.25	8.05
7	7.50	9.30
8	8.75	10.55
9	10.00	11.80
10	11.25	13.05
11	12.50	14.30
12	13.75	15.55
13	15.00	16.80
14	16.25	18.05
15	17.50	19.30



SUGGESTED PCB LAYOUT  
(COMPONENT SIDE)



P/N.:5H1257N0-1XXWBL00-01