



CONNECTORS MANUFACTURE

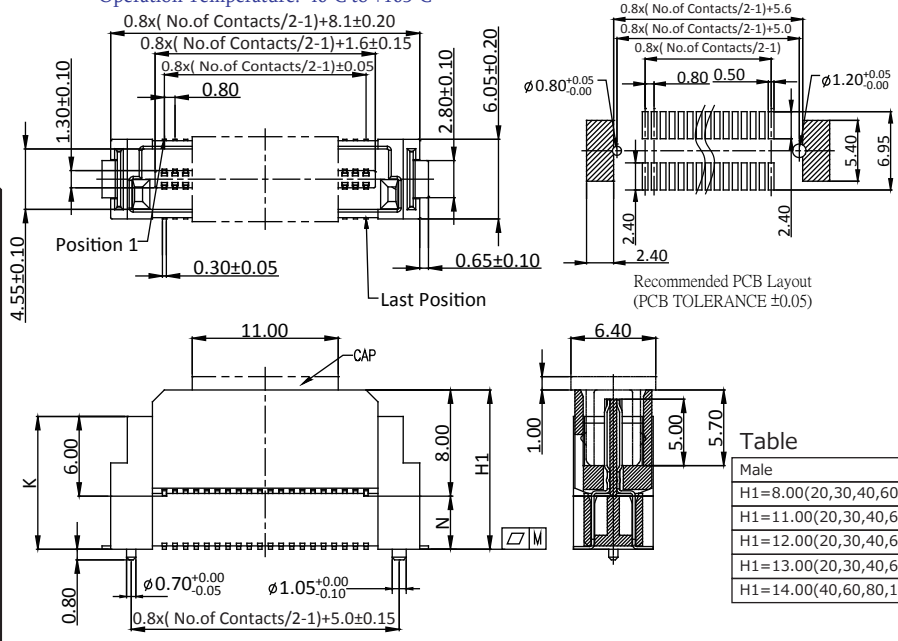
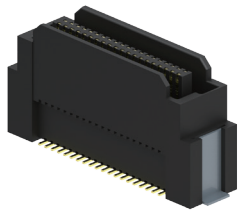
Board To Board 0.80mm Male H=8.0/11.0/12.0/13.0/14.0mm

Specifications

Current Rate:0.5AMP
 Insulation Resistance:500MΩ Min.
 Contact Resistance:65mΩ Max.
 Dielectric Voltage:1000V AC for one minute
 Operation Temperature:-40°C to +105°C

Material

Insulator:Polyester,UL 94V-0
 ©Standard:LCP
 Terminal:Copper Alloy
 Plating:Gold Plated



H1	K	N
8.00	6.00	
11.00	9.00	3.00
12.00	10.00	4.00
13.00	11.00	5.00
14.00	12.00	6.00

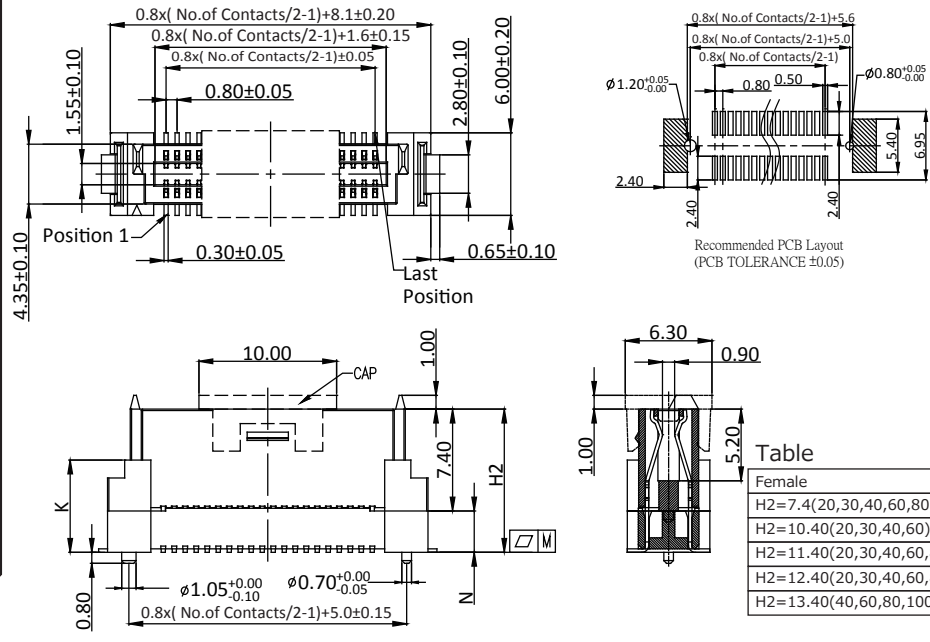
ASS'Y Height H	PLUG	SOCKET
	H1	H2
10.0	8.0	7.4
13.0	11.0	7.4
14.0	12.0	7.4
15.0	13.0	7.4
16.0	14.0	7.4

Table

Male
H1=8.00(20,30,40,60,80,100)
H1=11.00(20,30,40,60)
H1=12.00(20,30,40,60,80)
H1=13.00(20,30,40,60,80)
H1=14.00(40,60,80,100)

P/N.:5BB083CXXM

Board To Board 0.80mm Female H=7.4/10.4/11.4/12.4/13.4mm



H2	K	N
7.40	4.00	
10.40	7.00	3.00
11.40	8.00	4.00
12.40	9.00	5.00
13.40	10.00	6.00

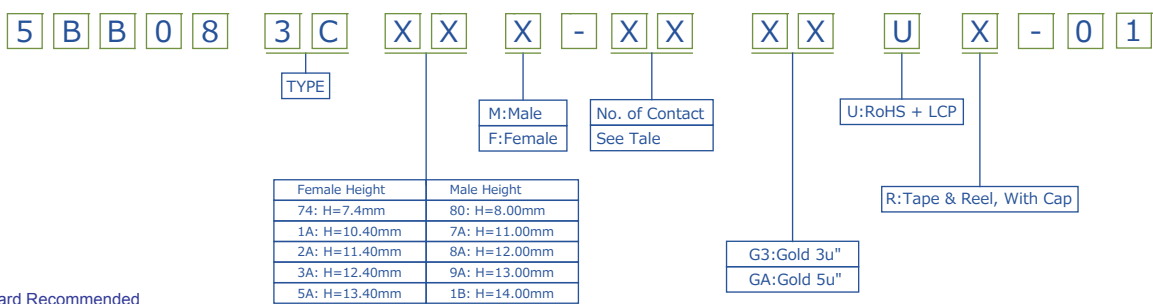
ASS'Y Height H	PLUG	SOCKET
	H1	H2
10.0	8.0	7.4
13.0	8.0	10.4
14.0	8.0	11.4
15.0	8.0	12.4
16.0	8.0	13.4

Table

Female
H2=7.4(20,30,40,60,80,100)
H2=10.4(20,30,40,60)
H2=11.4(20,30,40,60,80)
H2=12.4(20,30,40,60,80)
H2=13.4(40,60,80,100)

P/N.:5BB083CXXF

ORDER INFORMATION



©Standard Recommended

Board To Board 0.8mm



RoHS

CONNECTORS MANUFACTURE