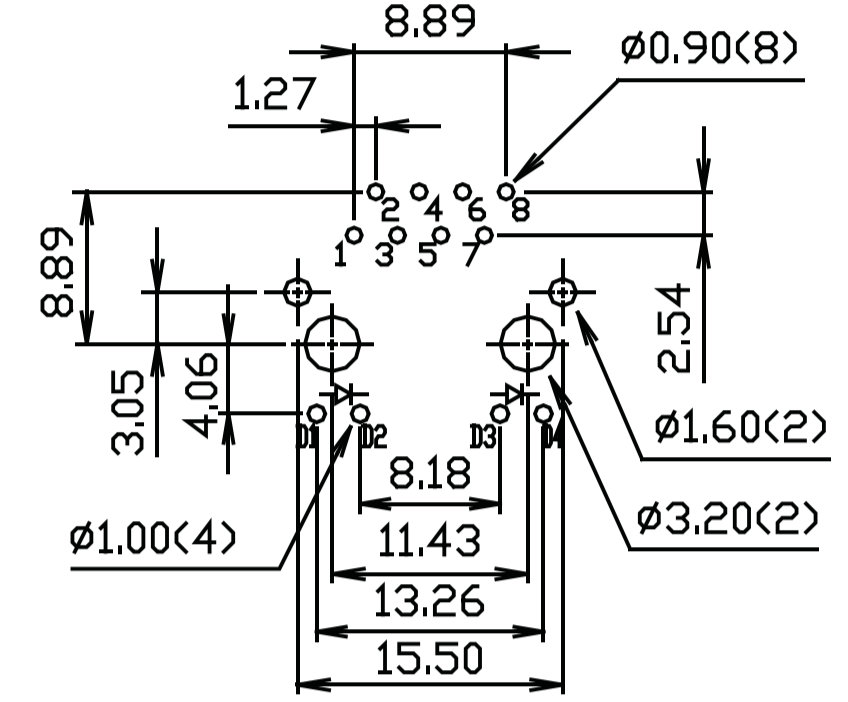
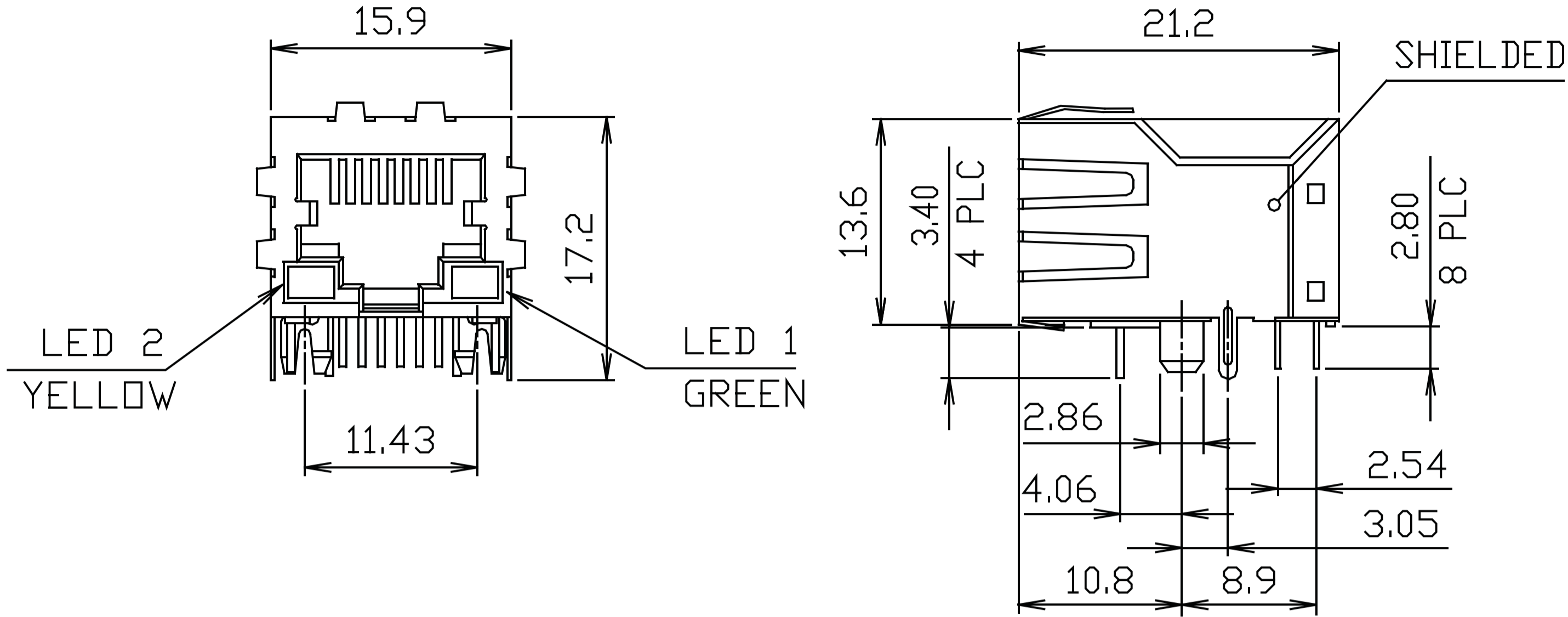


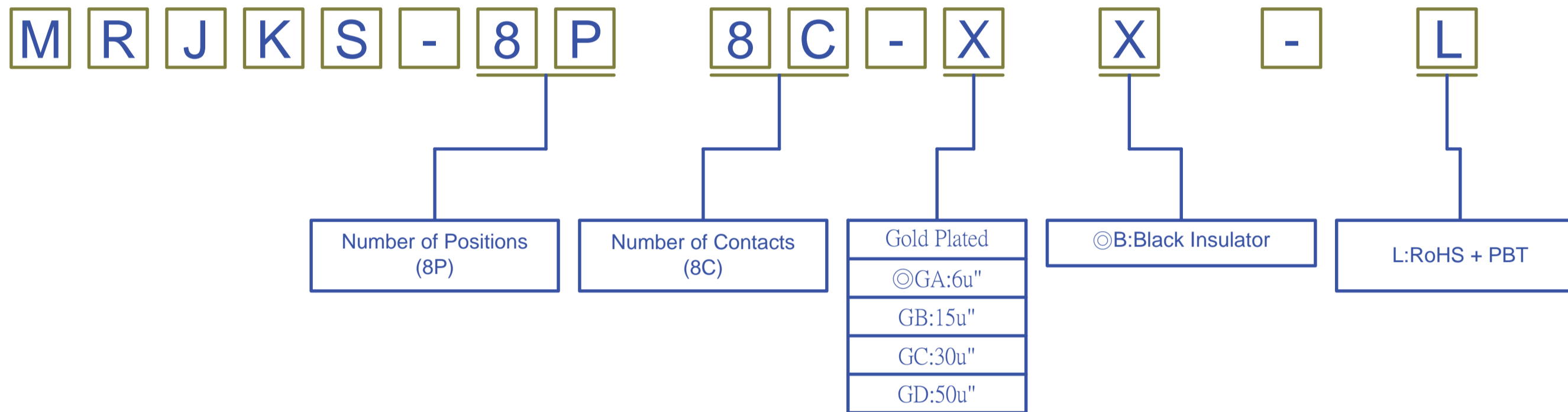
Modular Jack Shielded Side Entry With LED H=13.6 W=21.2

Material & Finish:

Housing: Glass Fiber, PBT. UL94V-0
 Contact: 0.35 mm Thickness Phosphor Bronze,
 Gold Plated Over Nickel on Contact Area,
 Tin Plated Over Nickel on Solder Area.



Order Information

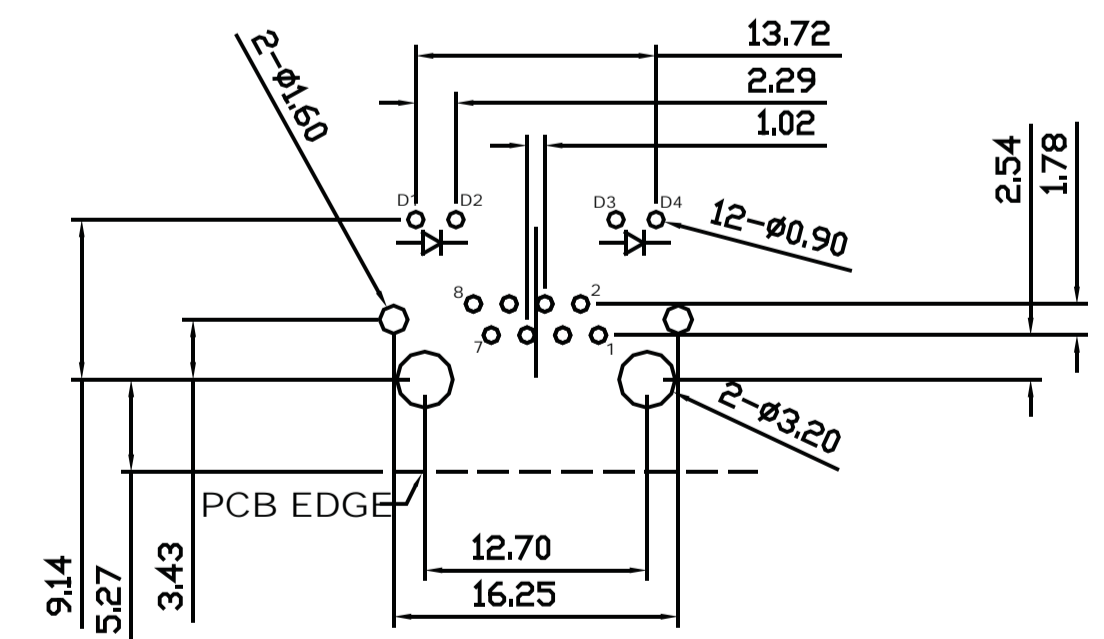
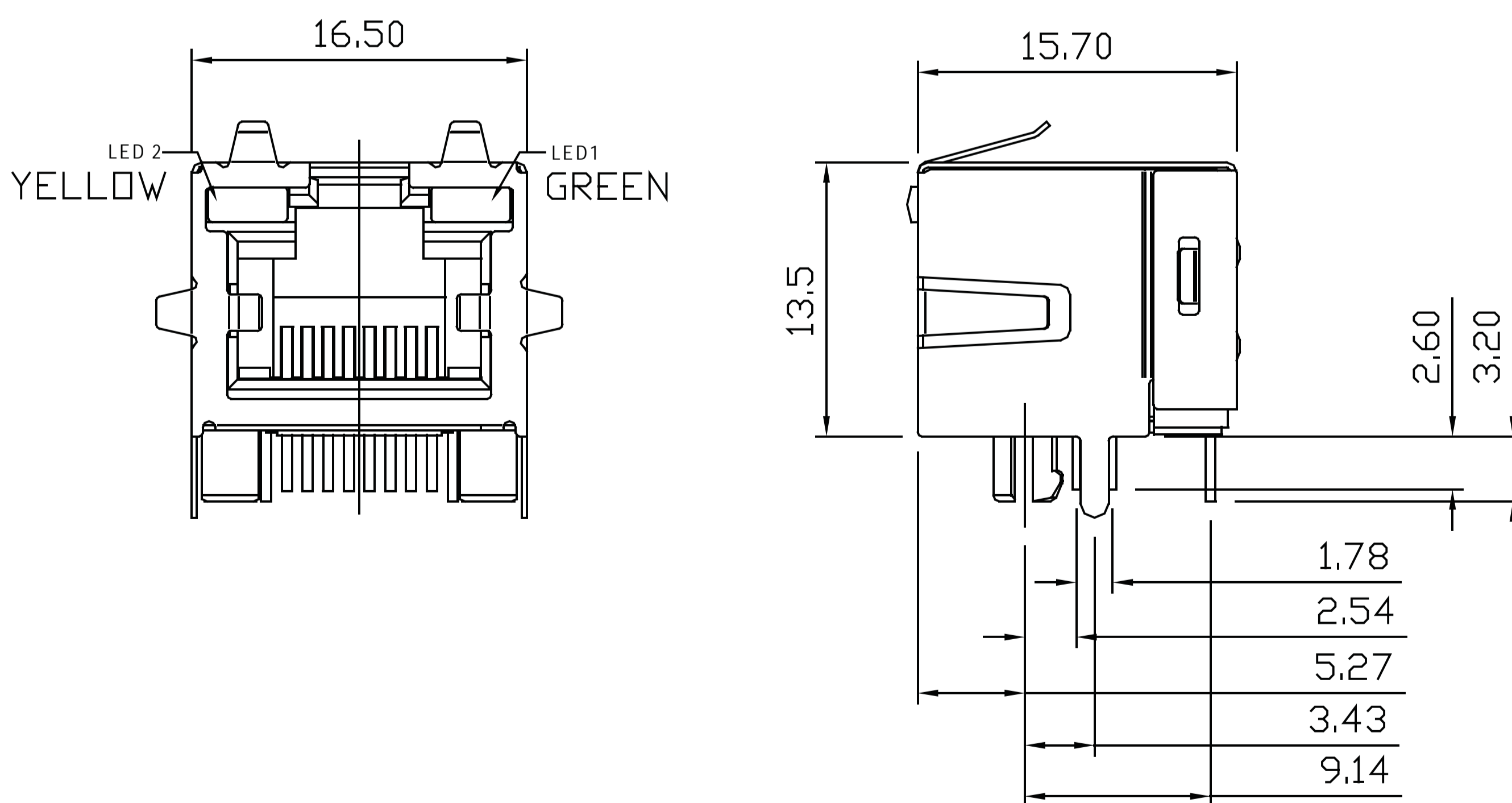
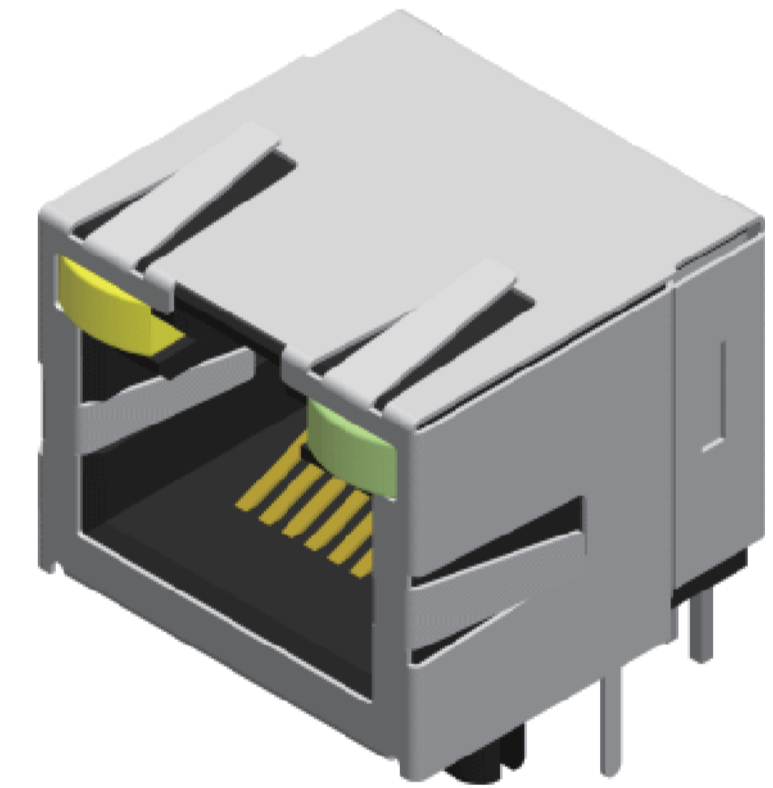


©:Standard Recommend

Modular Jack Shielded Side Entry With LED H=13.5 W=15.7

Material & Finish:

Housing: Glass Fiber, PBT . UL94V-0
 Contact: 0.35 mm Thickness Phosphor Bronze,
 Gold Plated Over Nickel on Contact Area,
 Tin Plated Over Nickel on Solder Area.



Order Information

