

CONNECTORS MANUFACTURER



Modular Jack

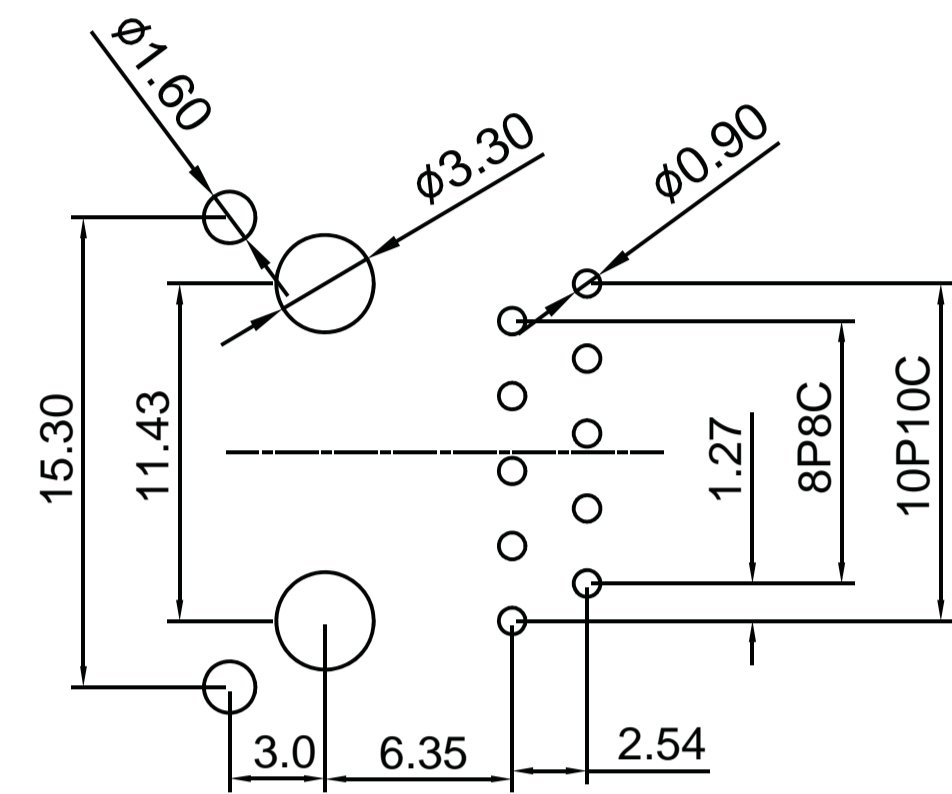
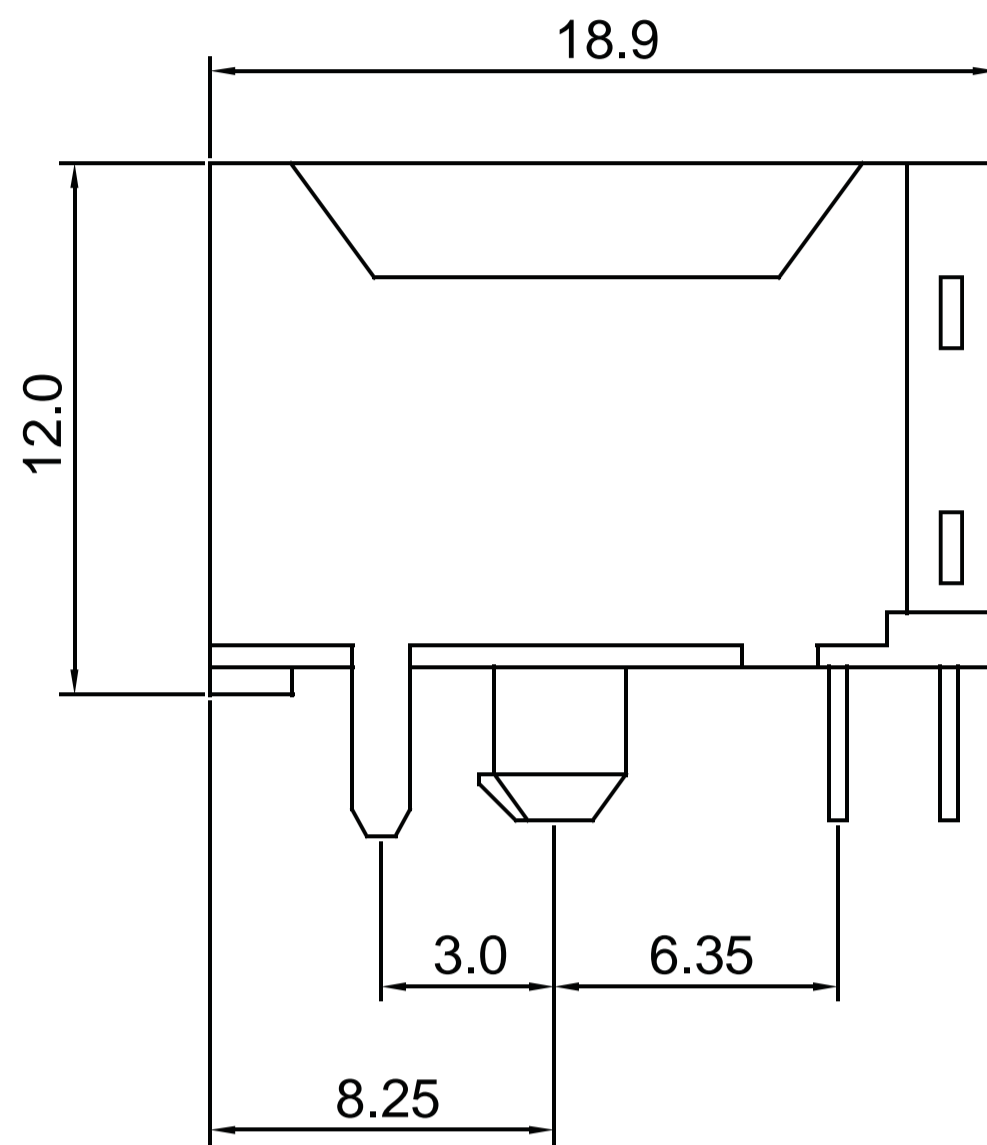
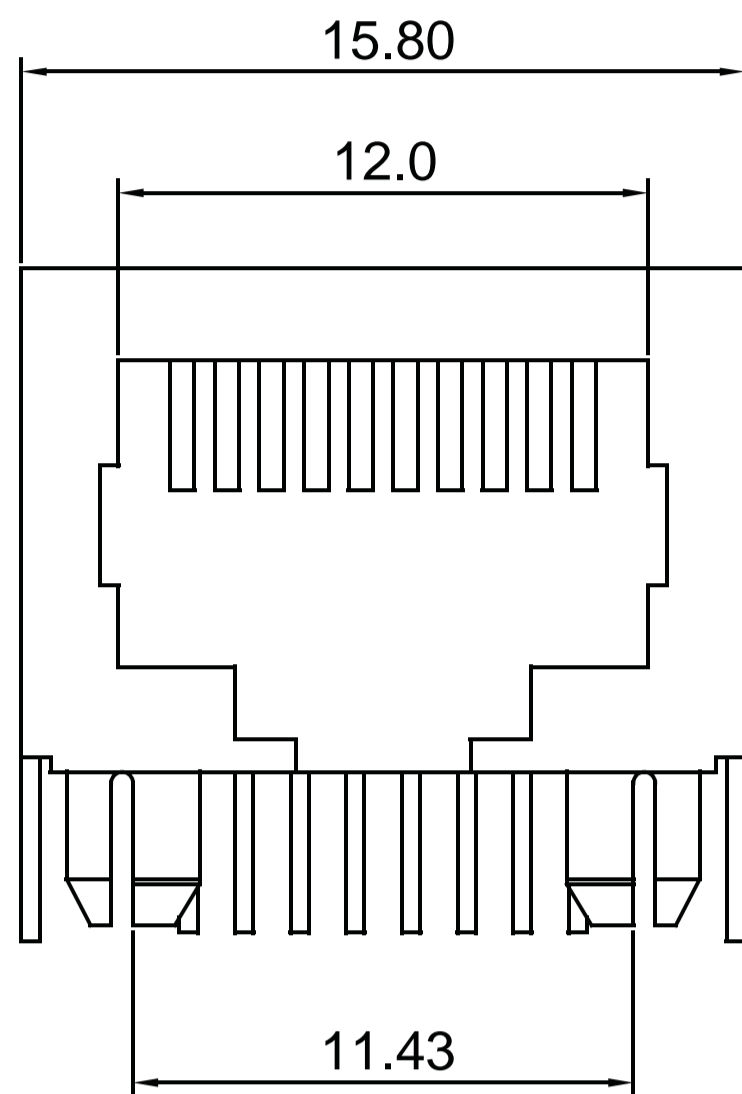
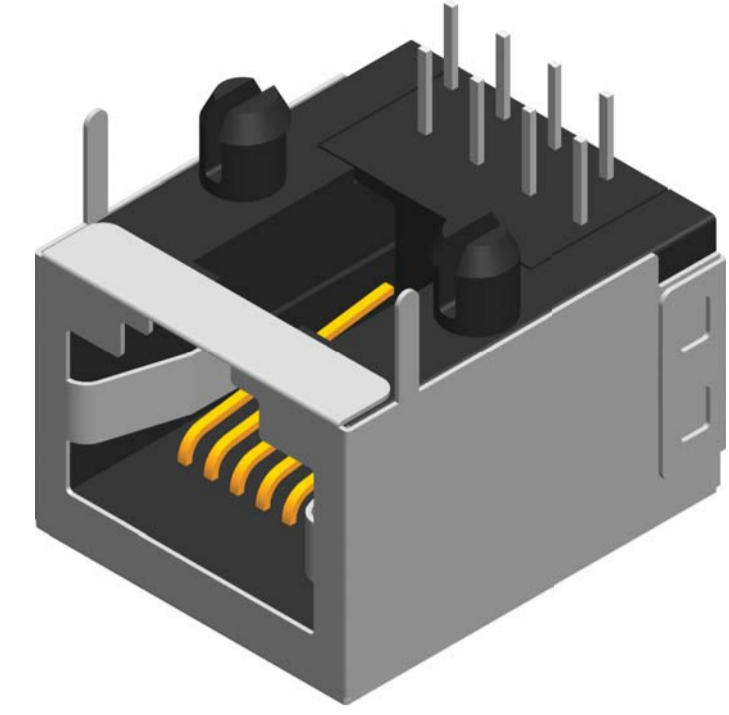


RoHS

Modular Jack Shielded Side Entry H=12.0 W=18.9

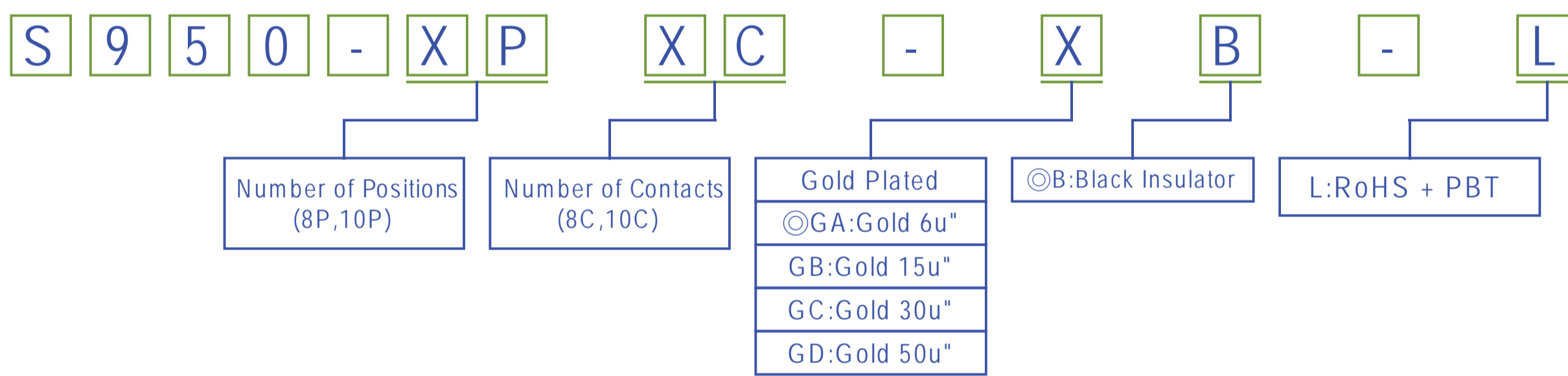
Material & Finish:

Housing: Glass Fiber, PBT. UL94V-0
 Contact: 0.35 mm Thickness Phosphor Bronze,
 Gold Plated Over Nickel on Contact Area,
 Tin Plated Over Nickel on Solder Area.



Recommended PCB Layout
(PCB TOLERANCE ±0.05)

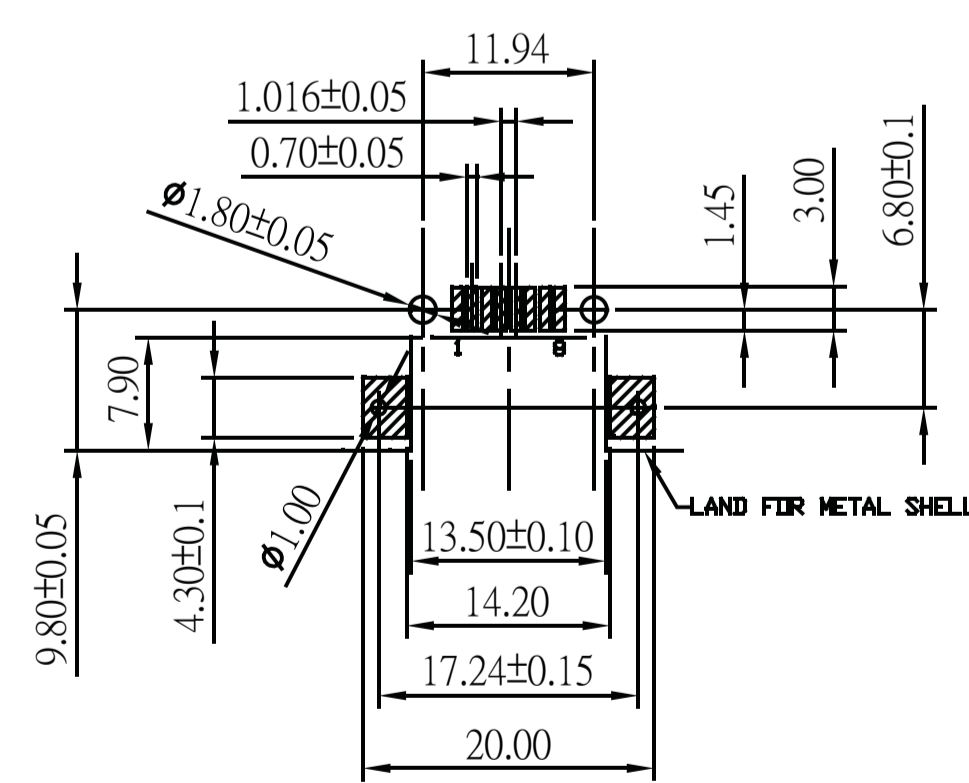
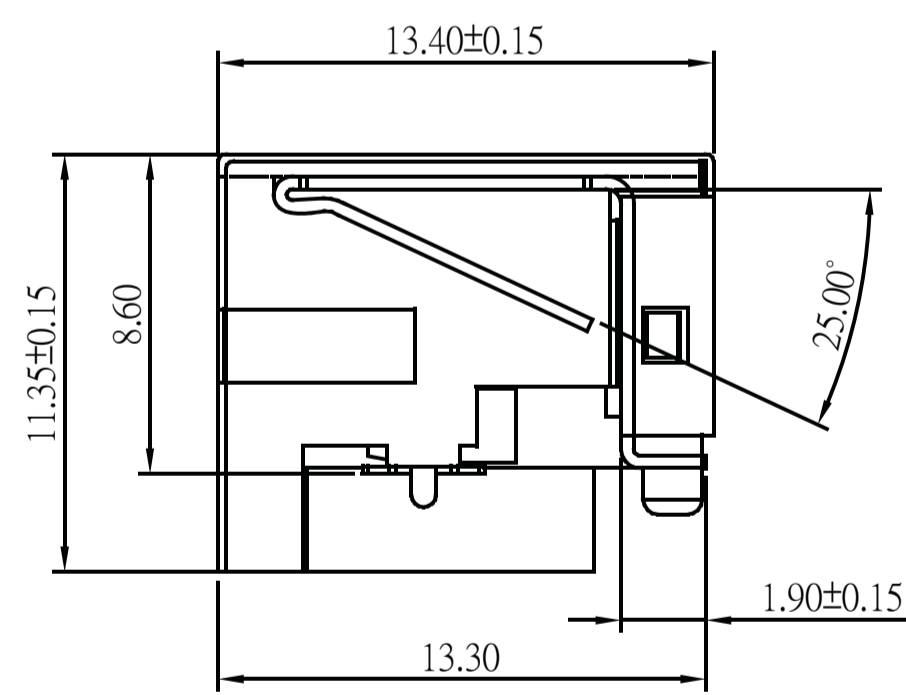
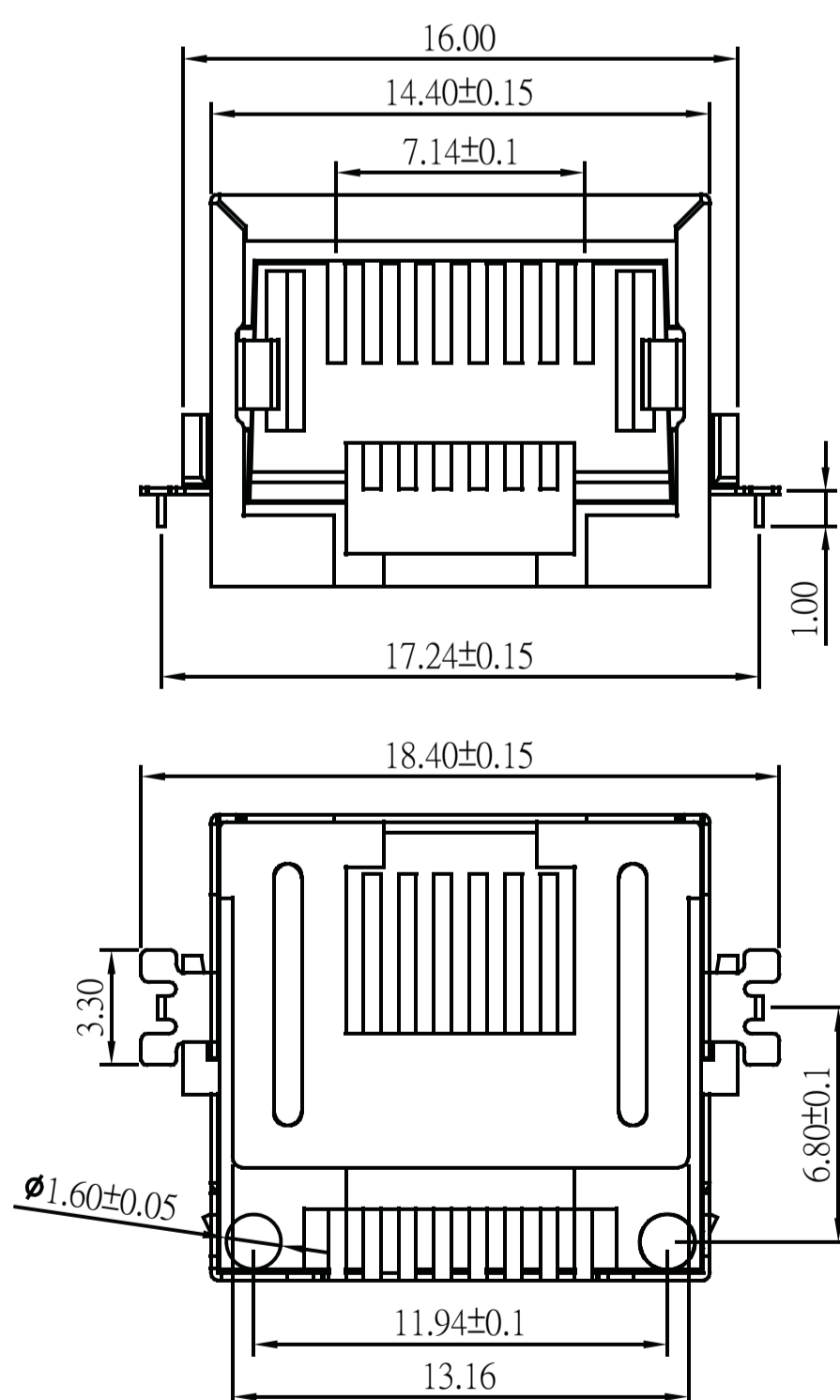
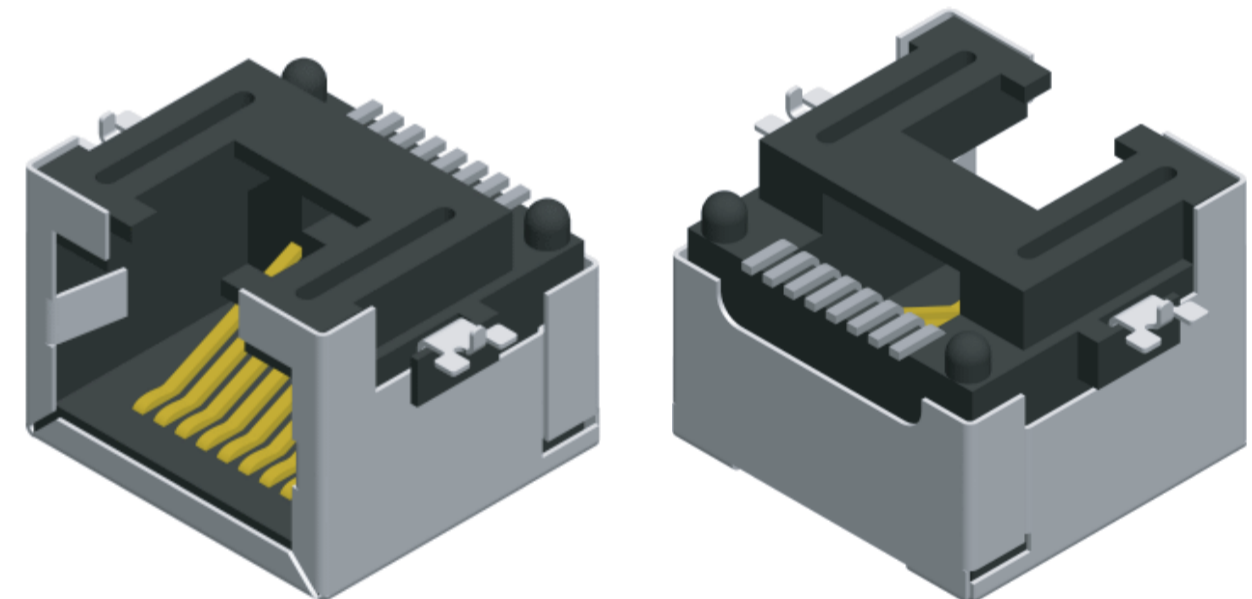
Order Information



Modular Jack SMT Type Single Pory H=11.35 W=13.40

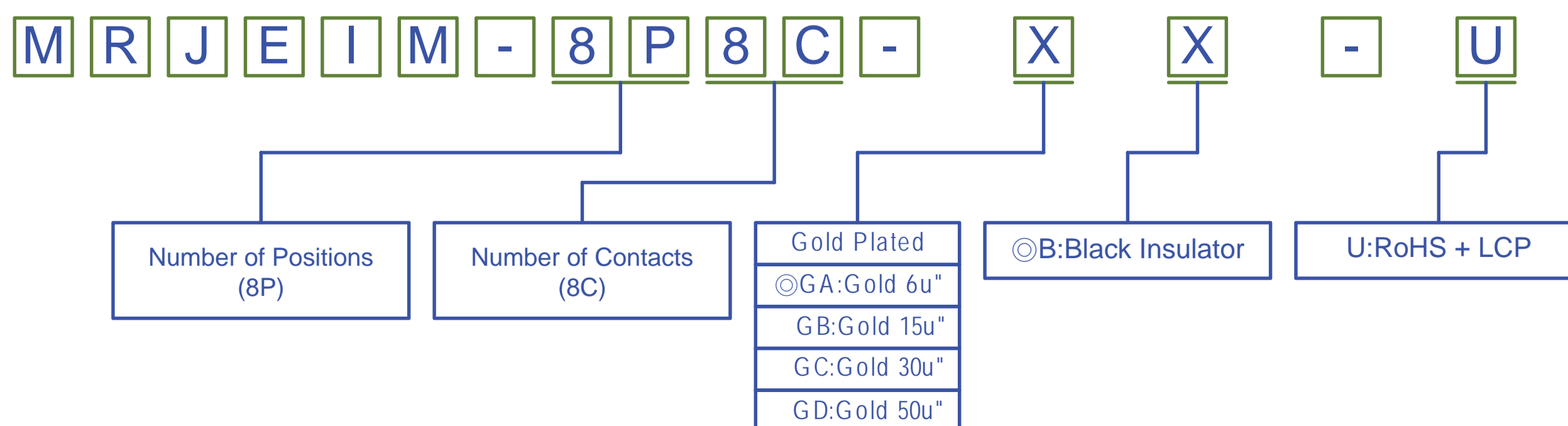
Material & Finish:

Housing: Glass Fiber, LCP. UL94V-0
 Contact: 0.35 mm Thickness Phosphor Bronze,
 Gold Plated Over Nickel on Contact Area,
 Tin Plated Over Nickel on Solder Area.



Recommended PCB Layout
(PCB TOLERANCE ±0.05)

Order Information



AMTEK CONNECTOR MANUFACTURER