

CONNECTORS MANUFACTURER



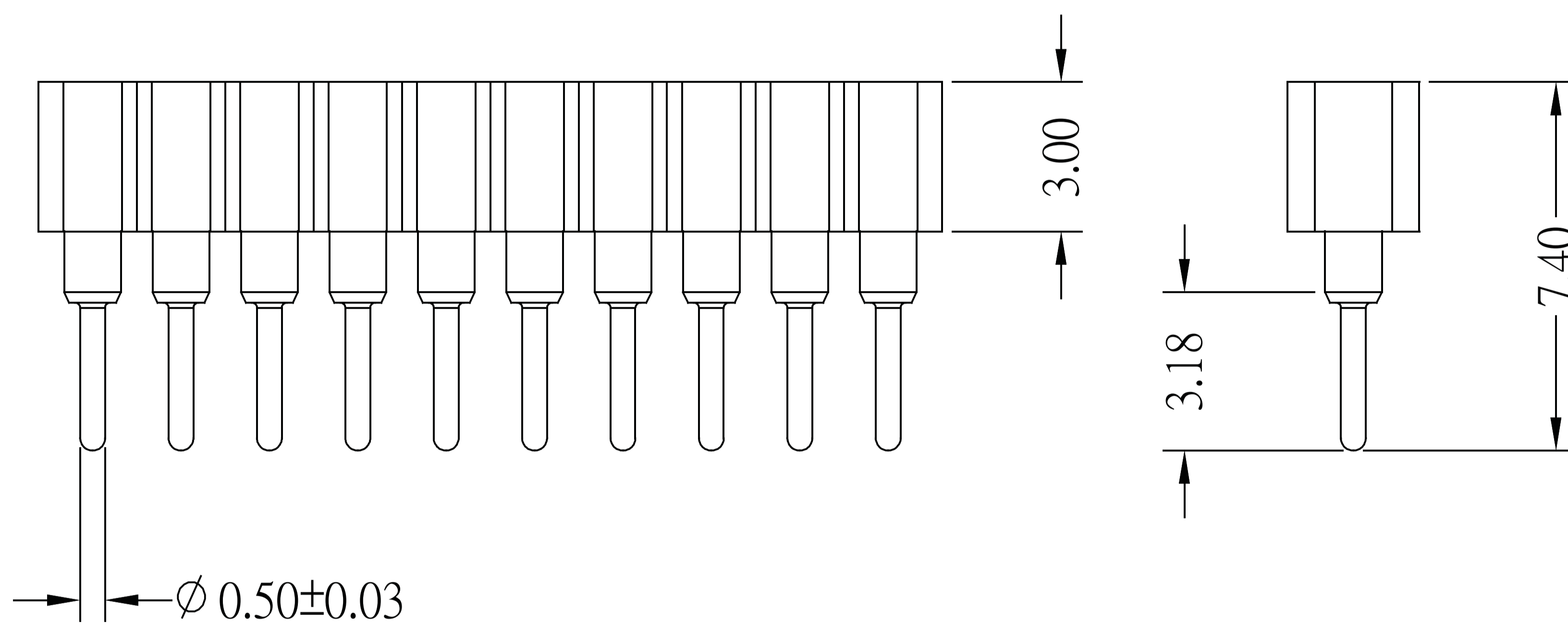
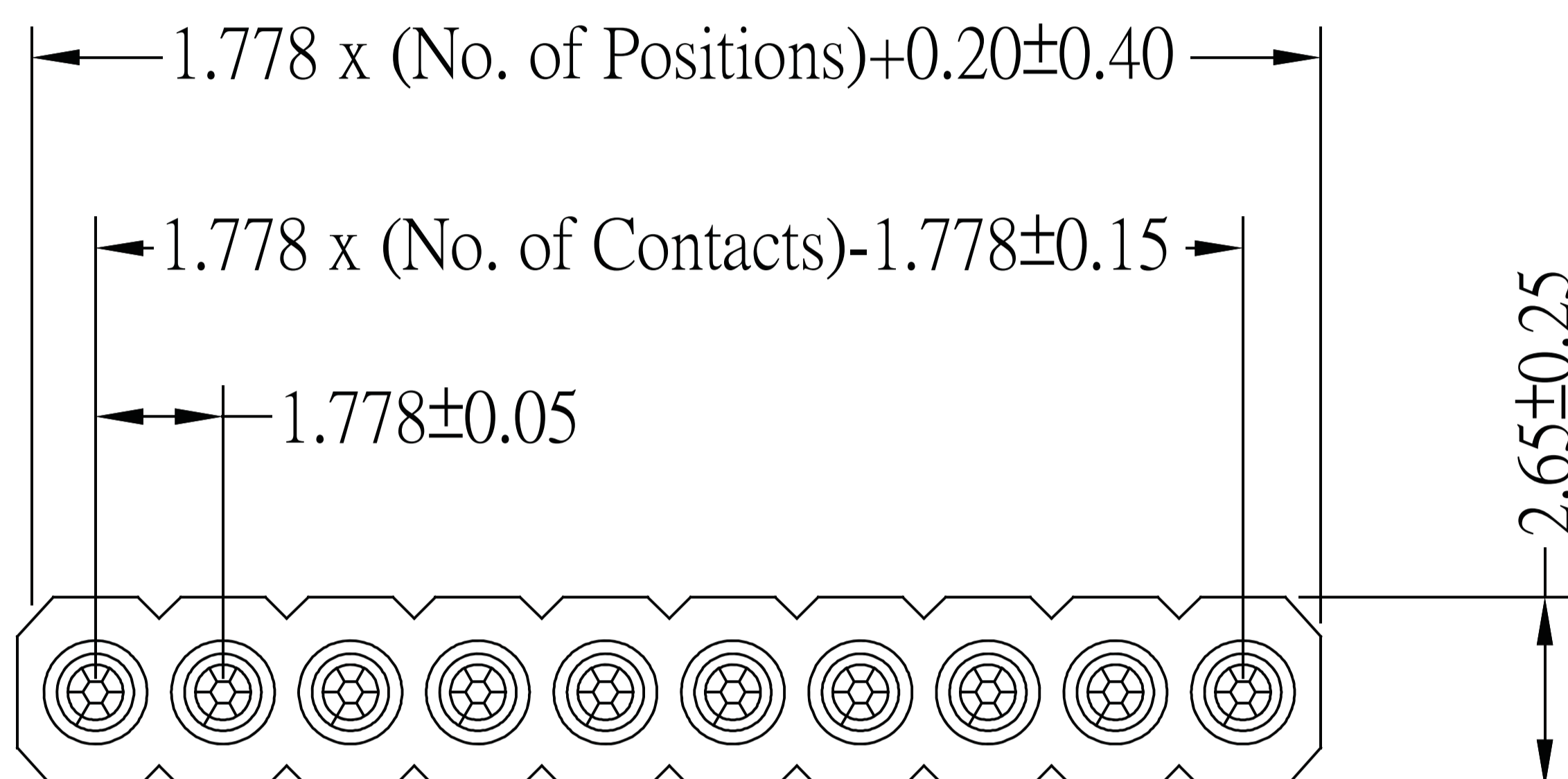
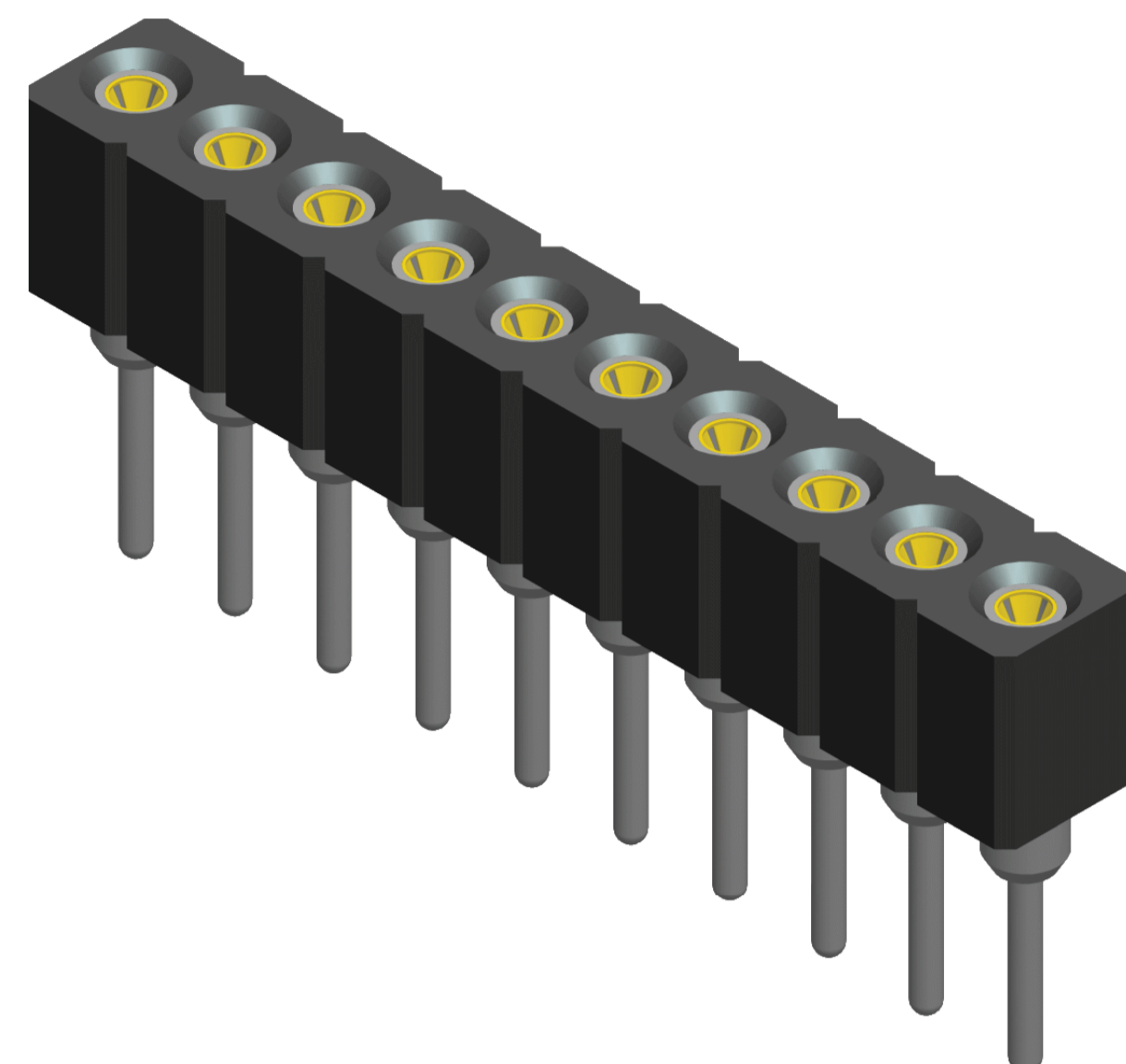
Machine Pin Socket Straight Type 1.778mm

SPECIFICATION

Current Rate:1 AMP
 Insulation Resistance:1000MΩ Min.
 Contact Resistance:10mΩ Max.
 Dielectric Voltage:1000V AC for one minute
 Operation Temperature:-40°C to +105°C

MATERIAL

Insulator:Polyester,UL 94V-0
 ◎Standard:PPS
 Contact Pin:Copper Alloy
 Contact Plating:Selective Gold

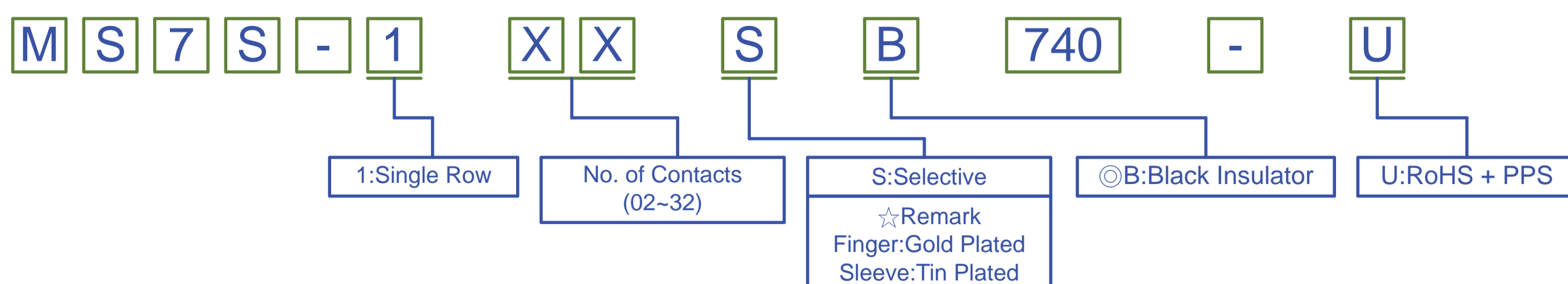


M Machine Pin Socket



ROHS

ORDER INFORMATION



AMTEK CONNECTOR MANUFACTURER