

CONNECTORS MANUFACTURER



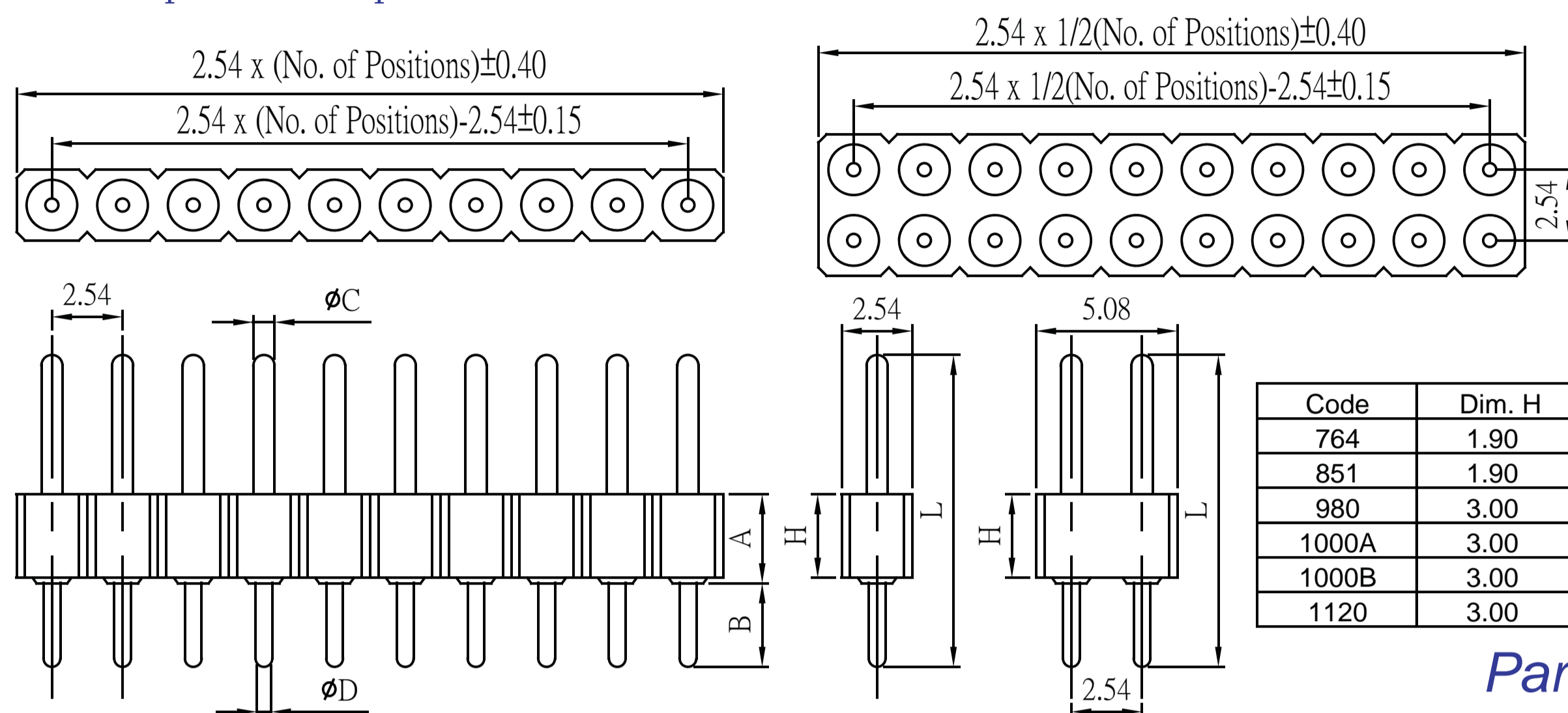
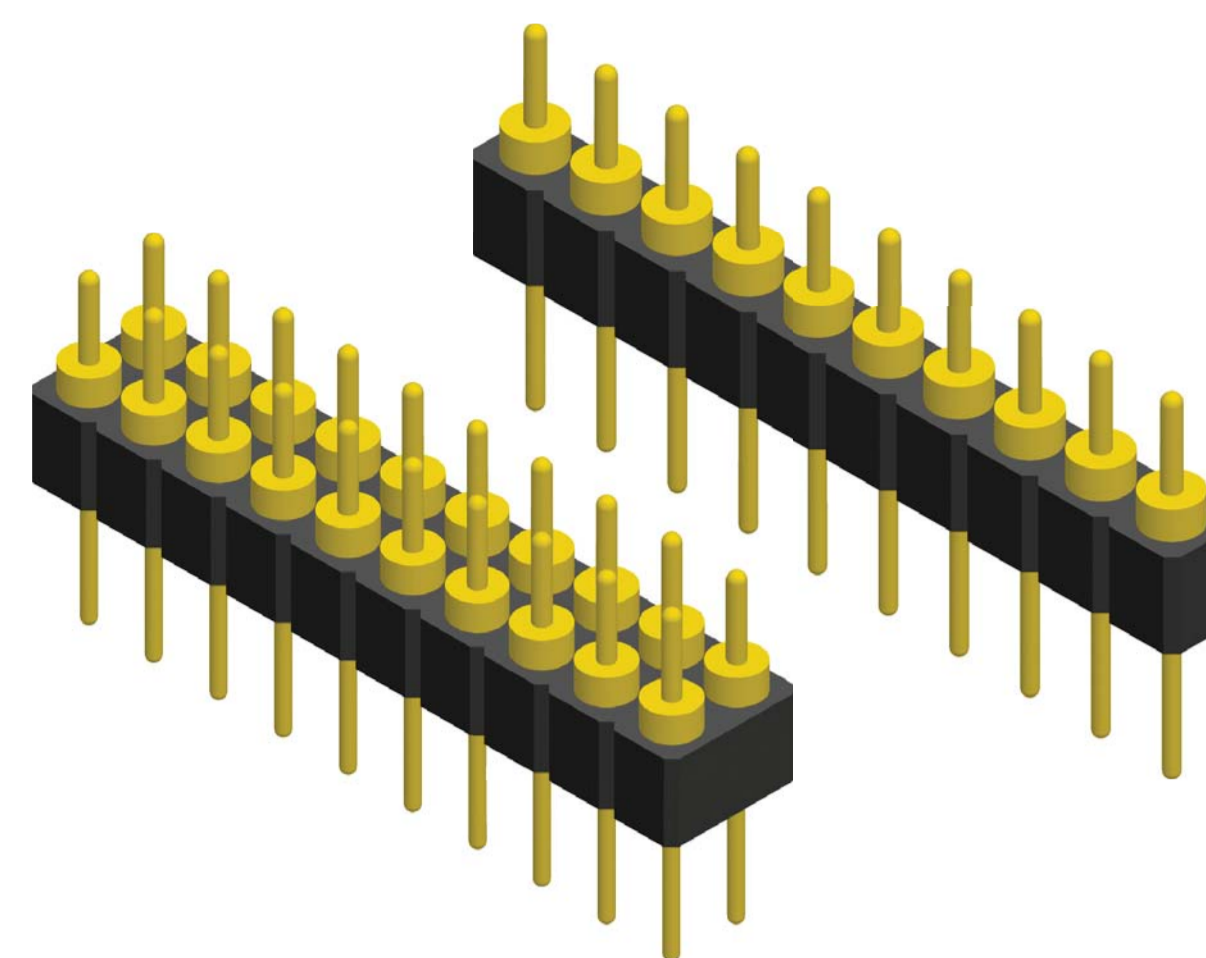
Machine Pin Header Straight Type 2.54mm

SPECIFICATION

Current Rate:3 AMP
 Insulation Resistance:1000MΩ Min
 Contact Resistance:10mΩ Max
 Dielectric Voltage:1000V AC for one minute
 Operation Temperature:-40°C to +105°C

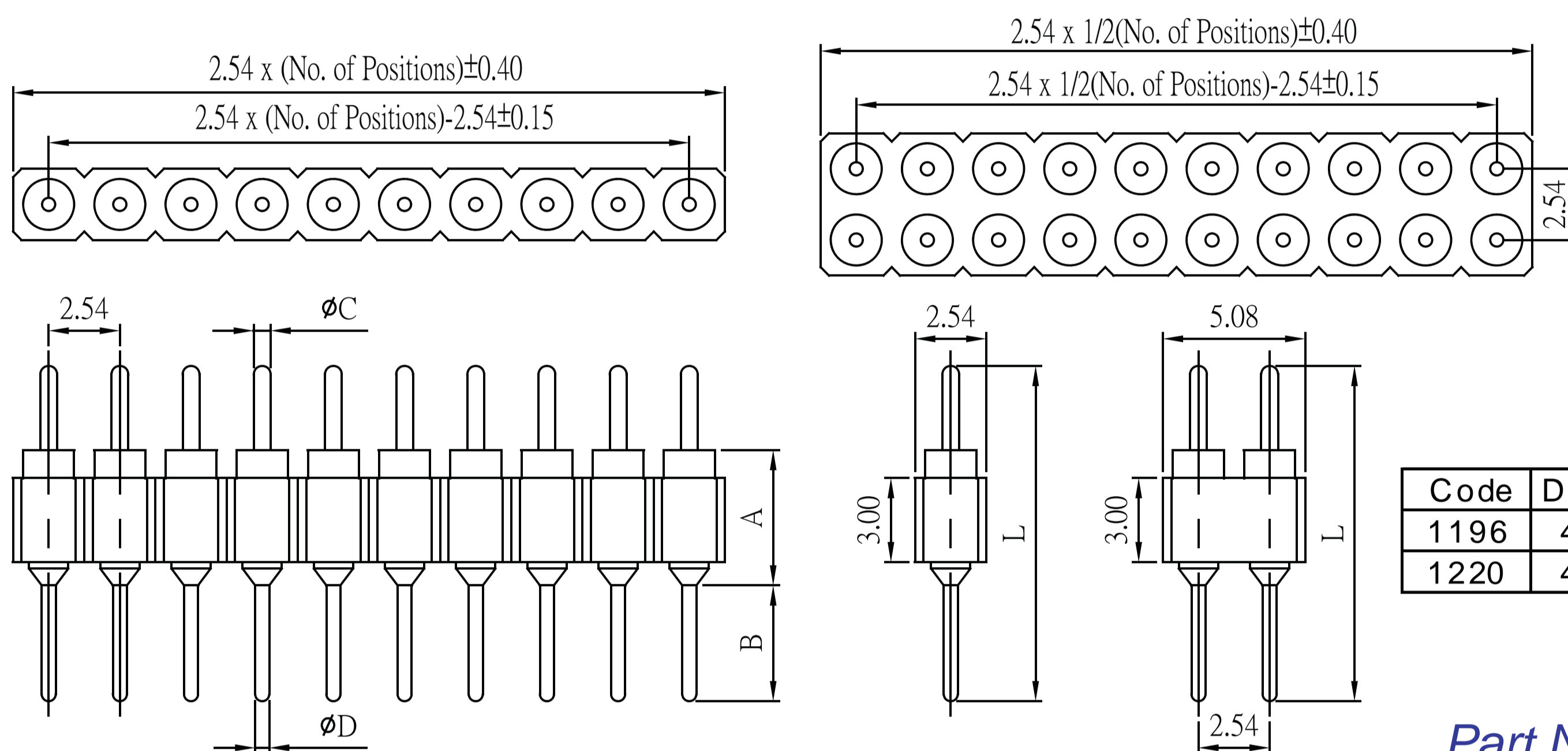
MATERIAL

Insulator:Polyester,UL 94V-0
 ©Standard:PPS
 Contact Pin:Copper Alloy
 Contact Plating:Gold Flash all over



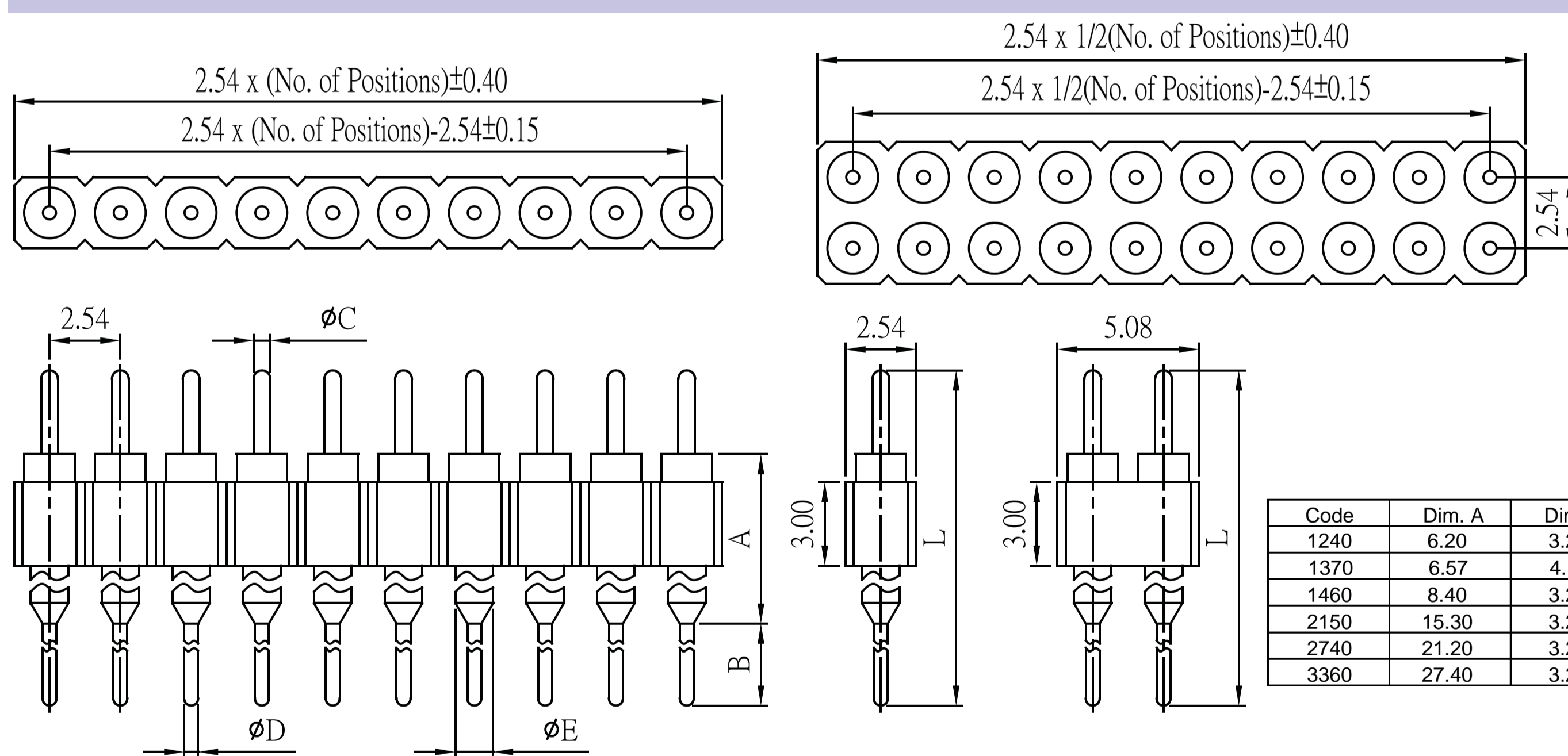
Code	Dim. H	Dim. A	Dim. B	Dim. C	Dim. D	Dim. L
764	1.90	1.90	2.74	0.47	0.47	7.64
851	1.90	2.16	3.18	0.49	0.49	8.51
980	3.00	3.20	3.00	0.76	0.60	9.80
1000A	3.00	3.40	3.00	0.48	0.48	10.00
1000B	3.00	4.10	2.90	0.45	0.45	10.00
1120	3.00	3.20	3.00	0.76	0.60	11.20

Part No.:MH1S19-1/2XX-XXX-U
 MH1S30-1/2XX-XXX-U



Code	Dim. A	Dim. B	Dim. C	Dim. D	Dim. L
1196	4.96	4.00	0.60	0.46	11.96
1220	4.10	3.80	0.60	0.49	12.20

Part No.:MH1S30-1/2XX-XXX-U



Code	Dim. A	Dim. B	Dim. C	Dim. D	Dim. E	Dim. L
1240	6.20	3.20	0.47	0.67	1.18	12.40
1370	6.57	4.13	0.60	0.50	1.35	13.70
1460	8.40	3.20	0.47	0.67	1.18	14.60
2150	15.30	3.20	0.47	0.67	1.18	21.50
2740	21.20	3.20	0.47	0.67	1.18	27.40
3360	27.40	3.20	0.47	0.67	1.18	33.60

Part No.:MH1S30-1/2XX-XXX-U

ORDER INFORMATION

