

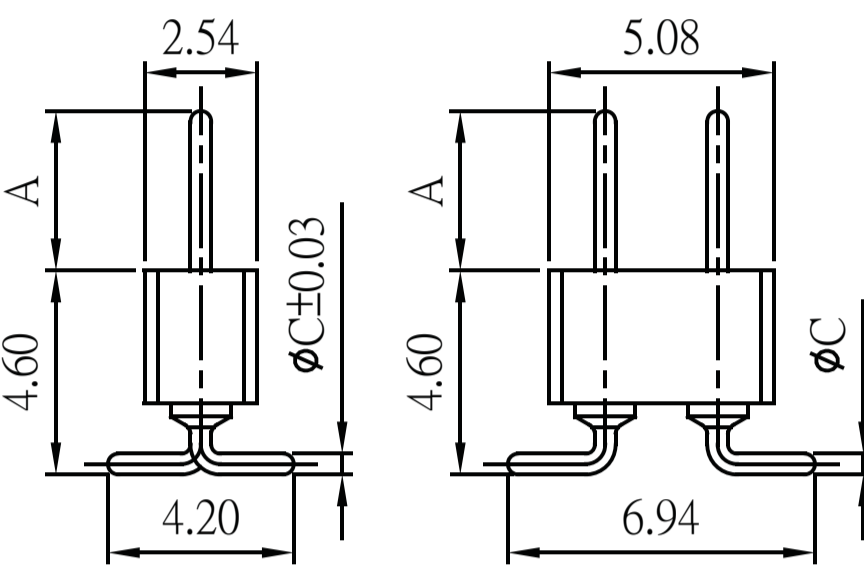
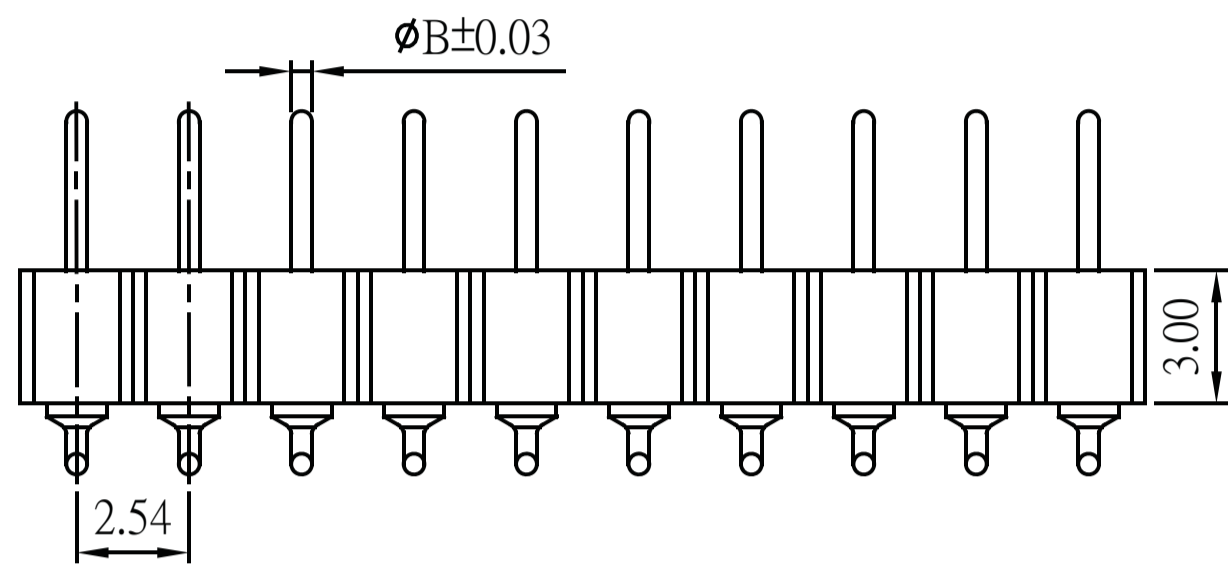
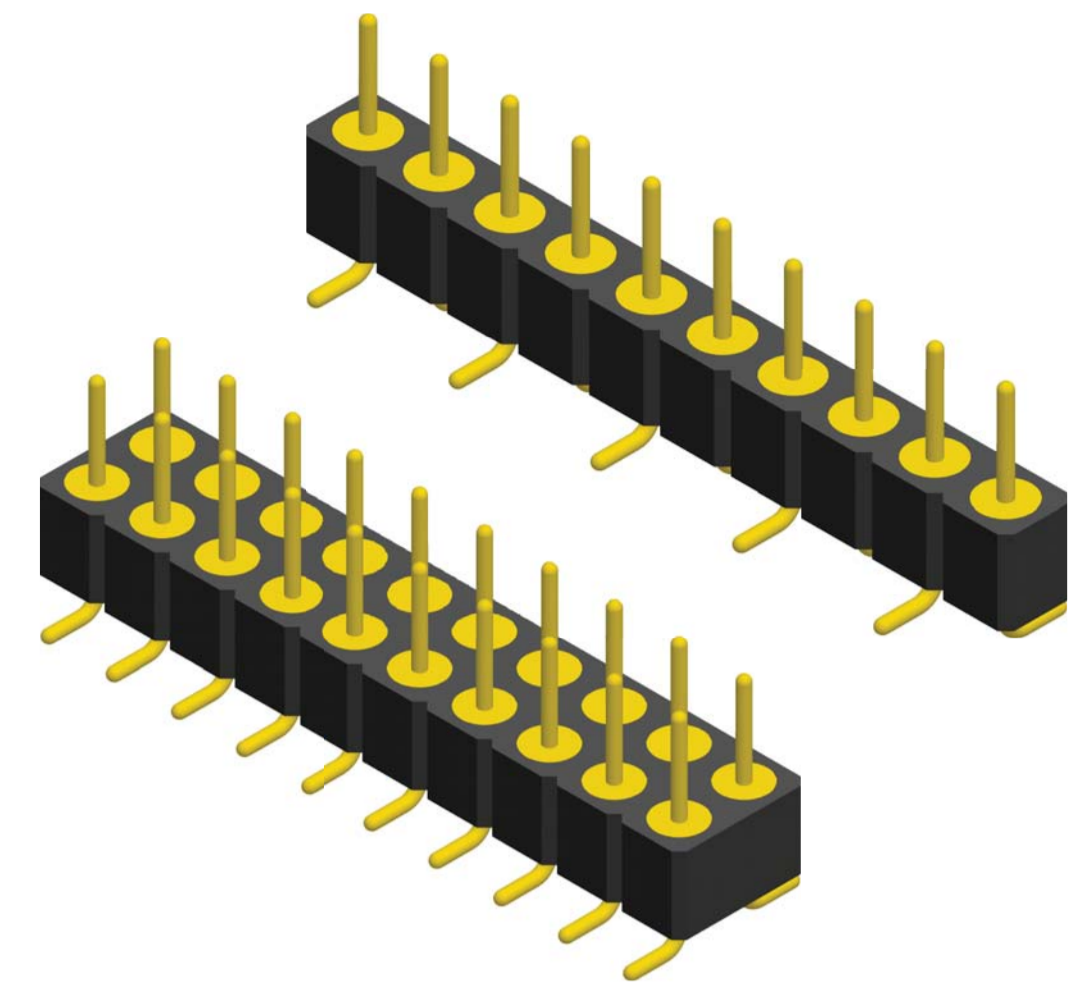
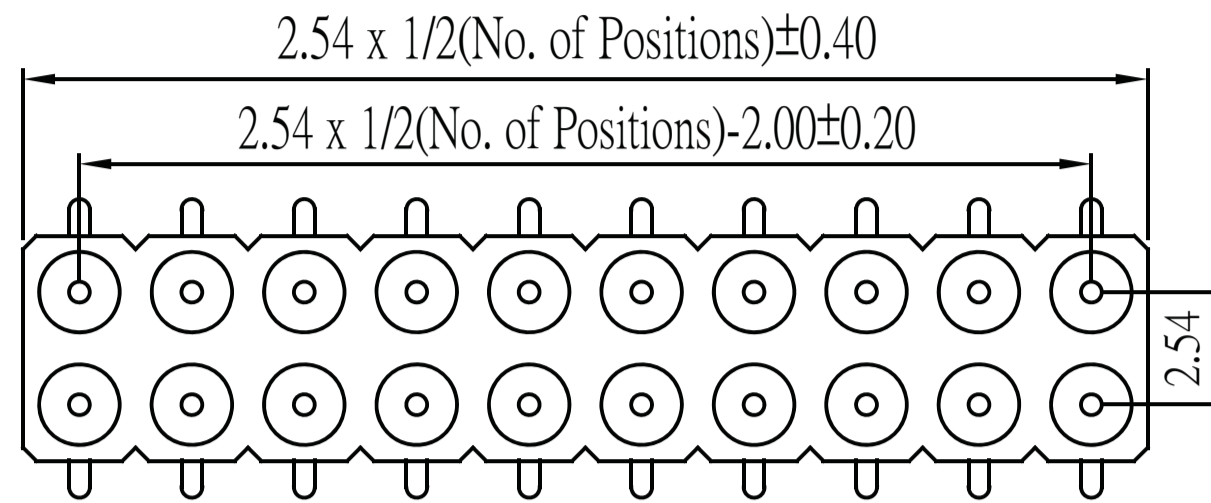
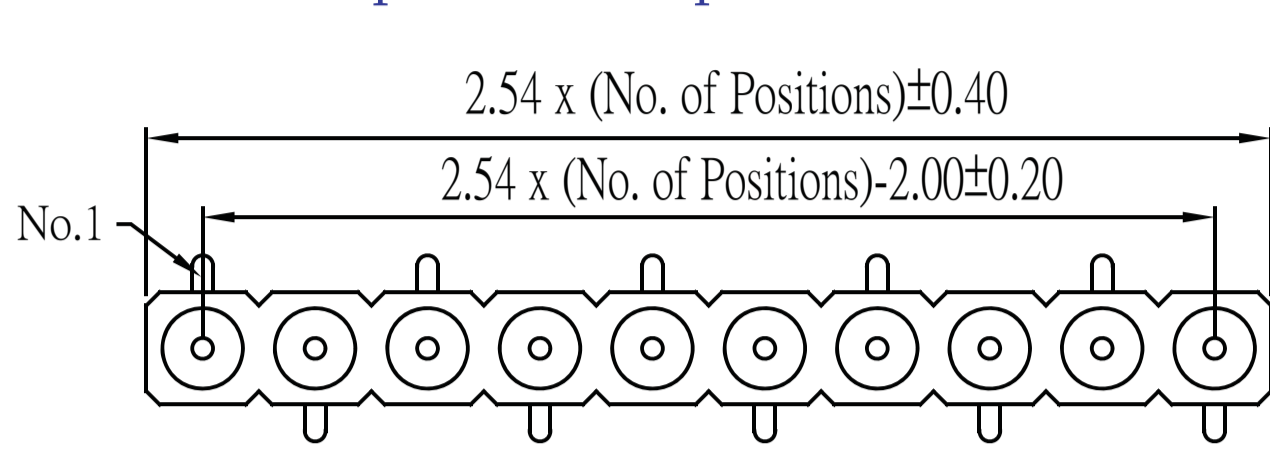
Machine Pin Header SMT / Right Angle Type 2.54mm

SPECIFICATION

Current Rate: 3 AMP
 Insulation Resistance: 1000MΩ Min.
 Contact Resistance: 10mΩ Max.
 Dielectric Voltage: 1000V AC for one minute
 Operation Temperature: -40°C to +105°C

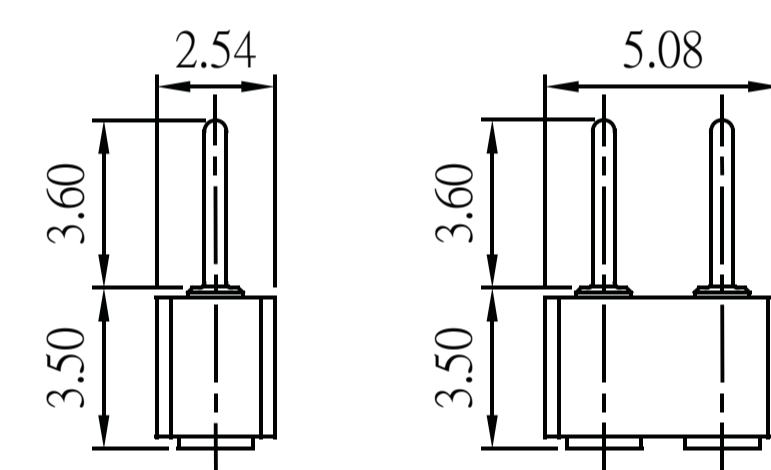
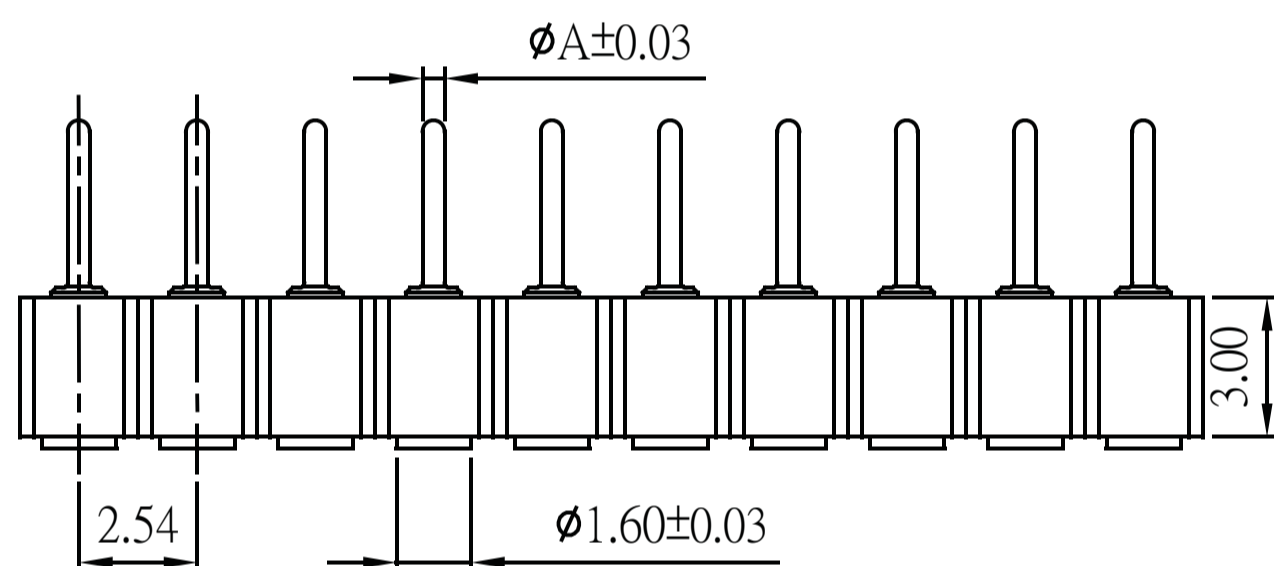
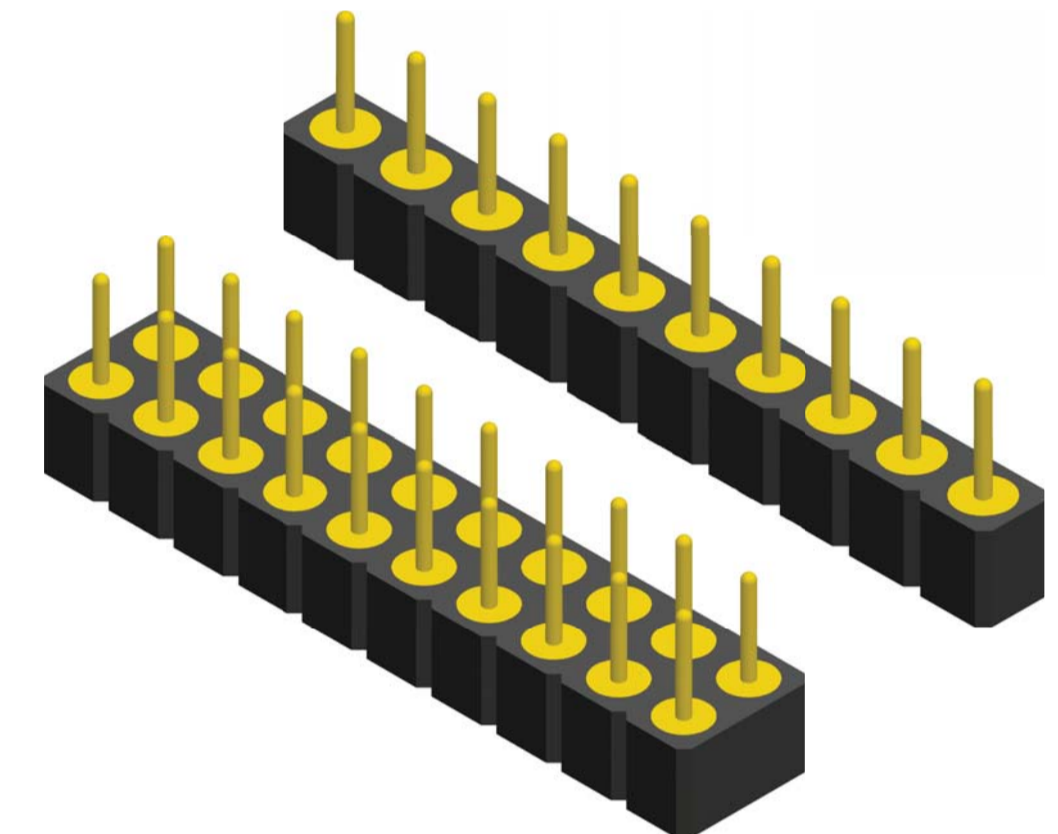
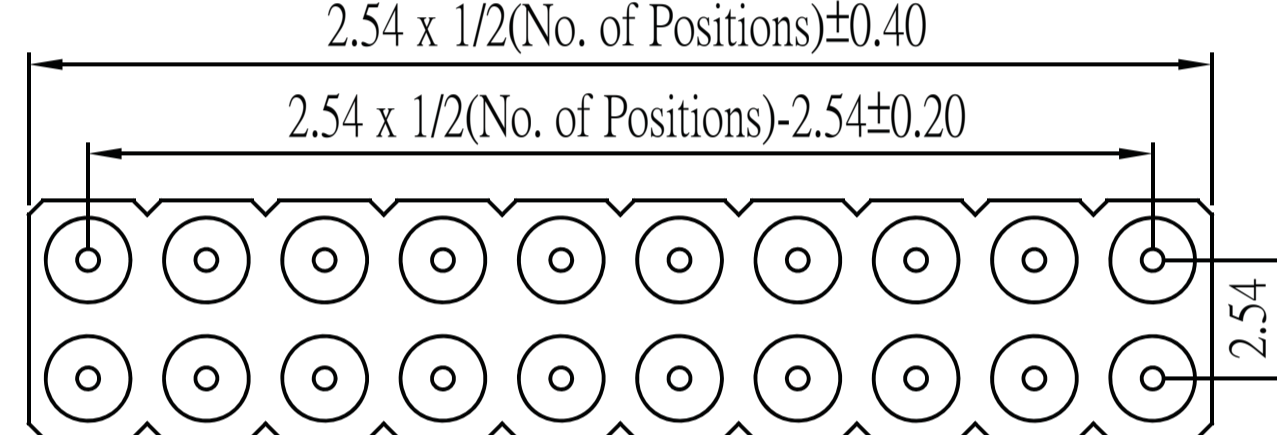
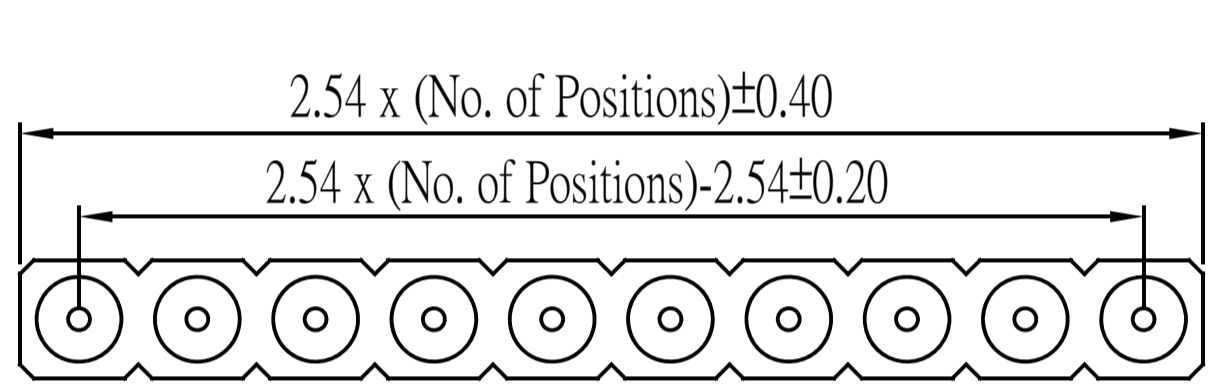
MATERIAL

Insulator: Polyester, UL 94V-0
 ©Standard: PPS
 Contact Pin: Copper Alloy
 Contact Plating: Gold Flash all over



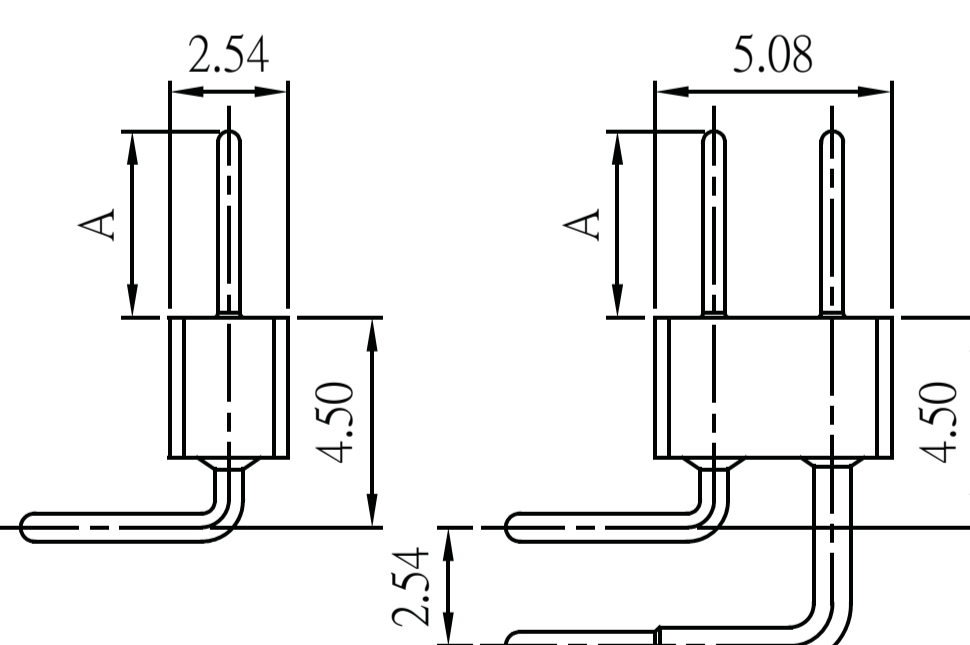
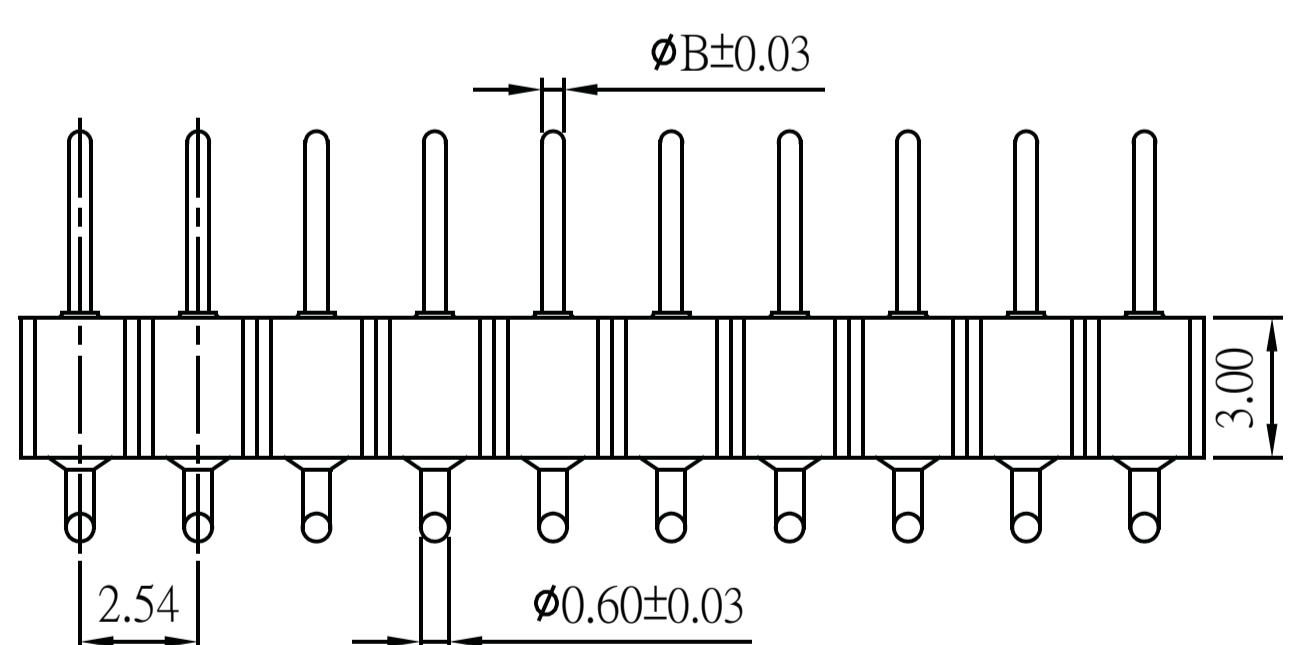
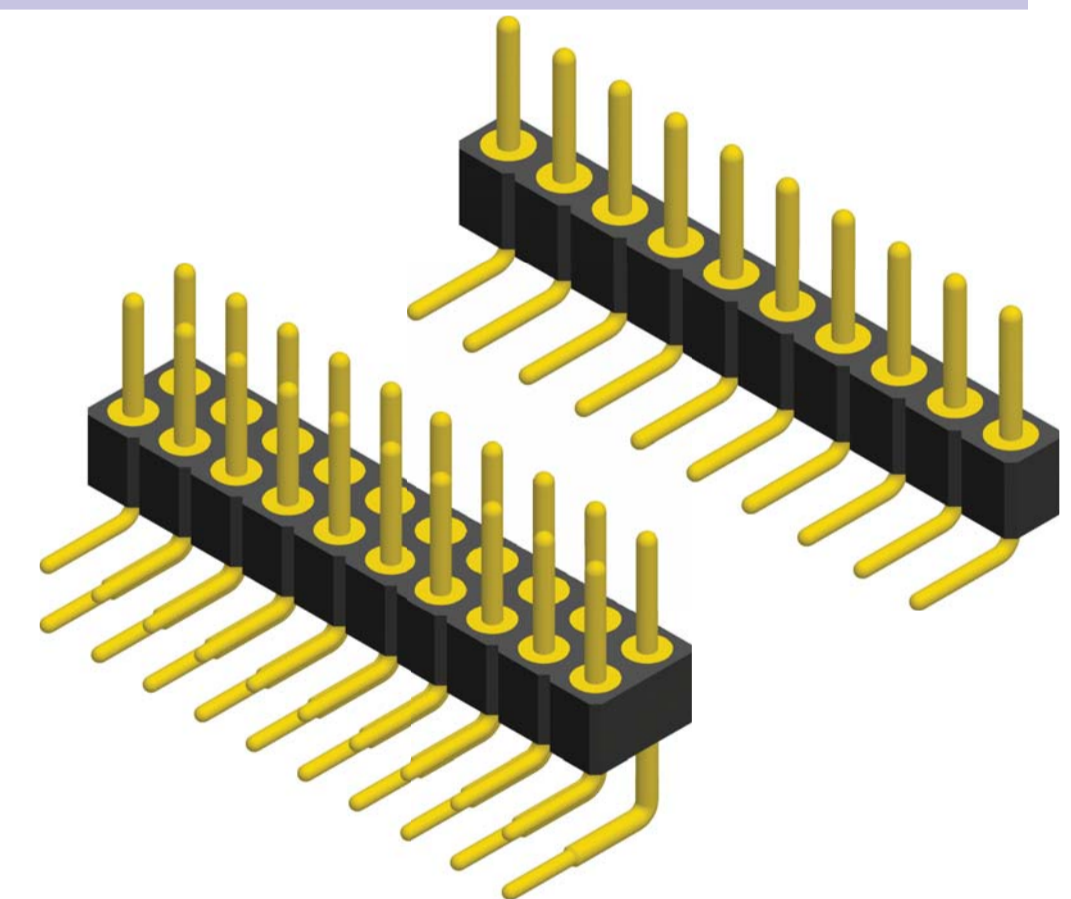
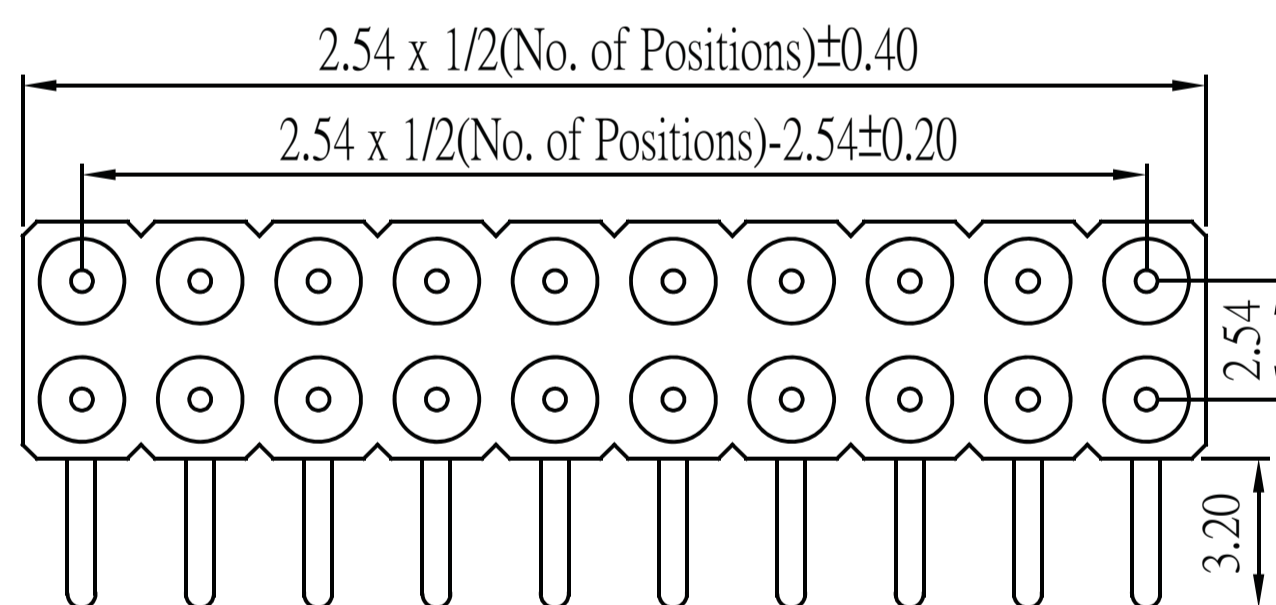
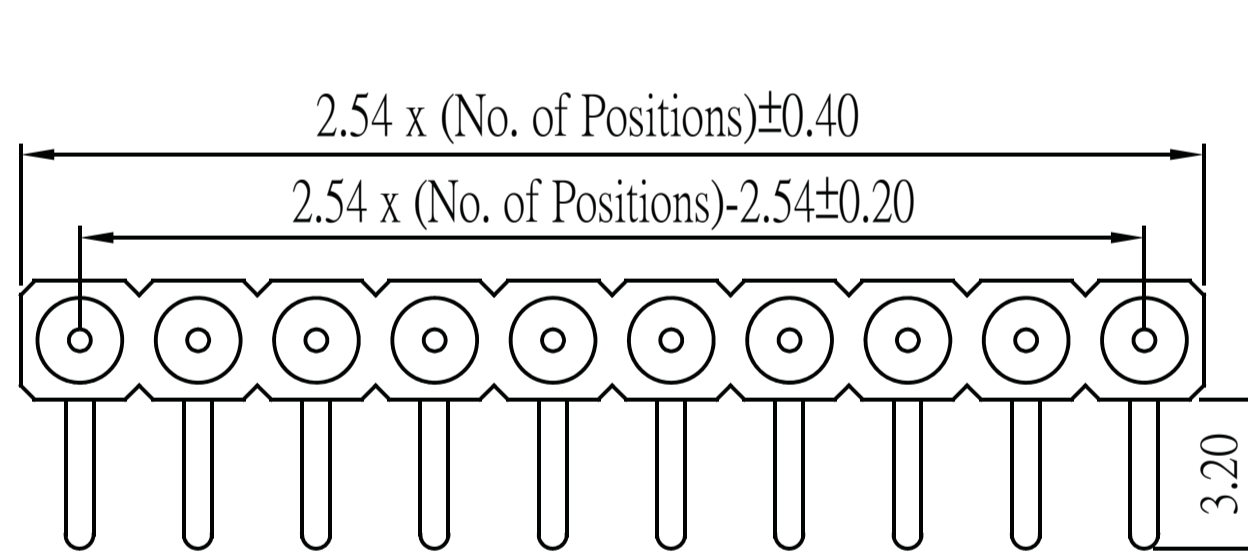
Part No.	Dim. A	Dim. B	Dim. C
MH1M-1/2XX-U	3.60	0.47	0.47
MH1M-1/2XX-3-U	5.00	0.76	0.60

Part No.: MH1M-1/2XX-U
 MH1M-1/2XX-3-U



Part No.	Dim. A
MH1M-1/2XX-1-U	0.47
MH1M-1/2XX-2-U	0.76

Part No.: MH1M-1/2XX-1/2-U



Part No.	Dim. A	Dim. B
MH1R-1/2XX-U	5.00	0.76
MH1R-1/2XX-1-U	4.00	0.50

Part No.: MH1R-1/2XX-U
 MH1R-1/2XX-1-U

ORDER INFORMATION

