

# CONNECTORS MANUFACTURER



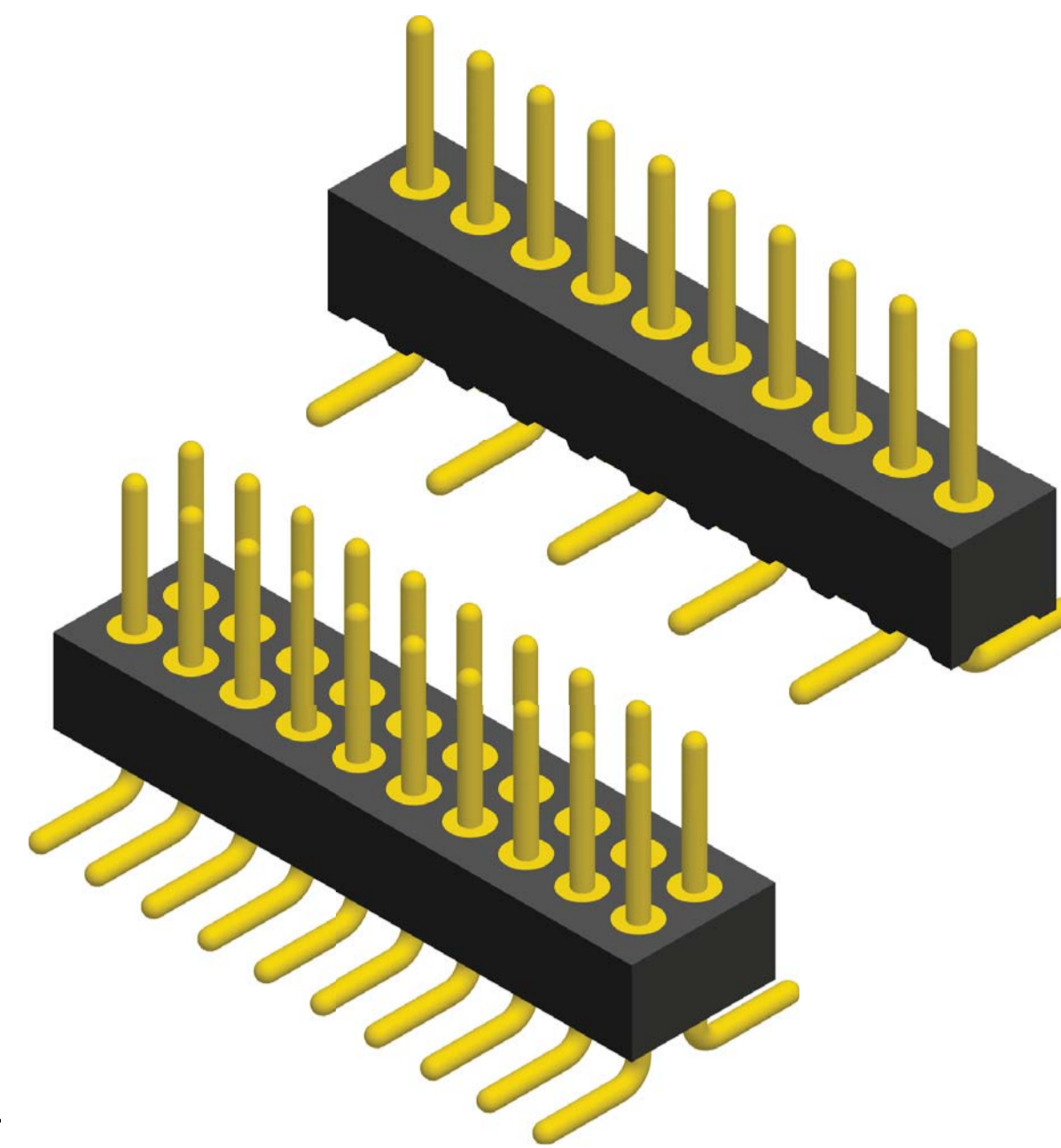
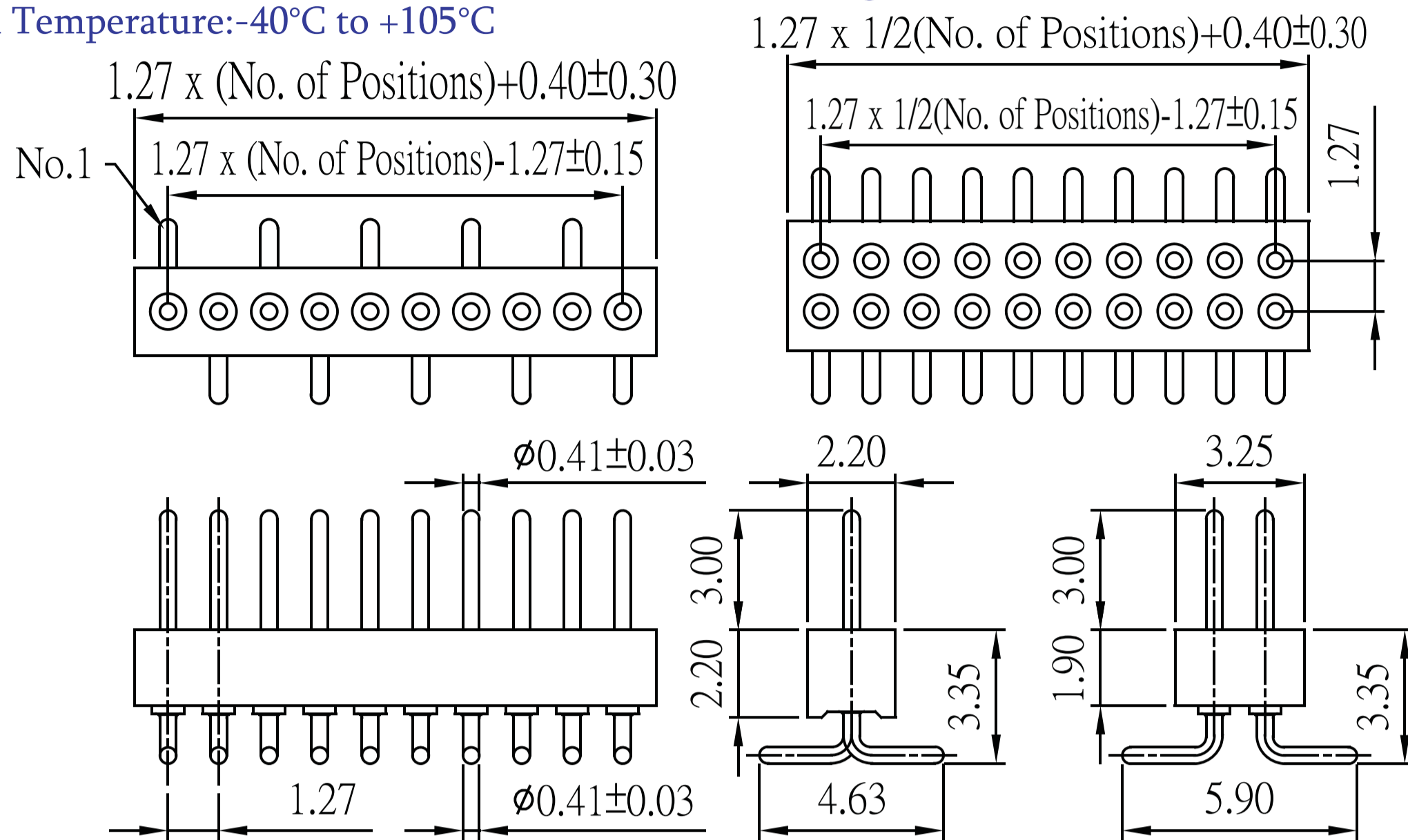
## Machine Pin Header SMT / Right Angle / Straight Type 1.27mm

### SPECIFICATION

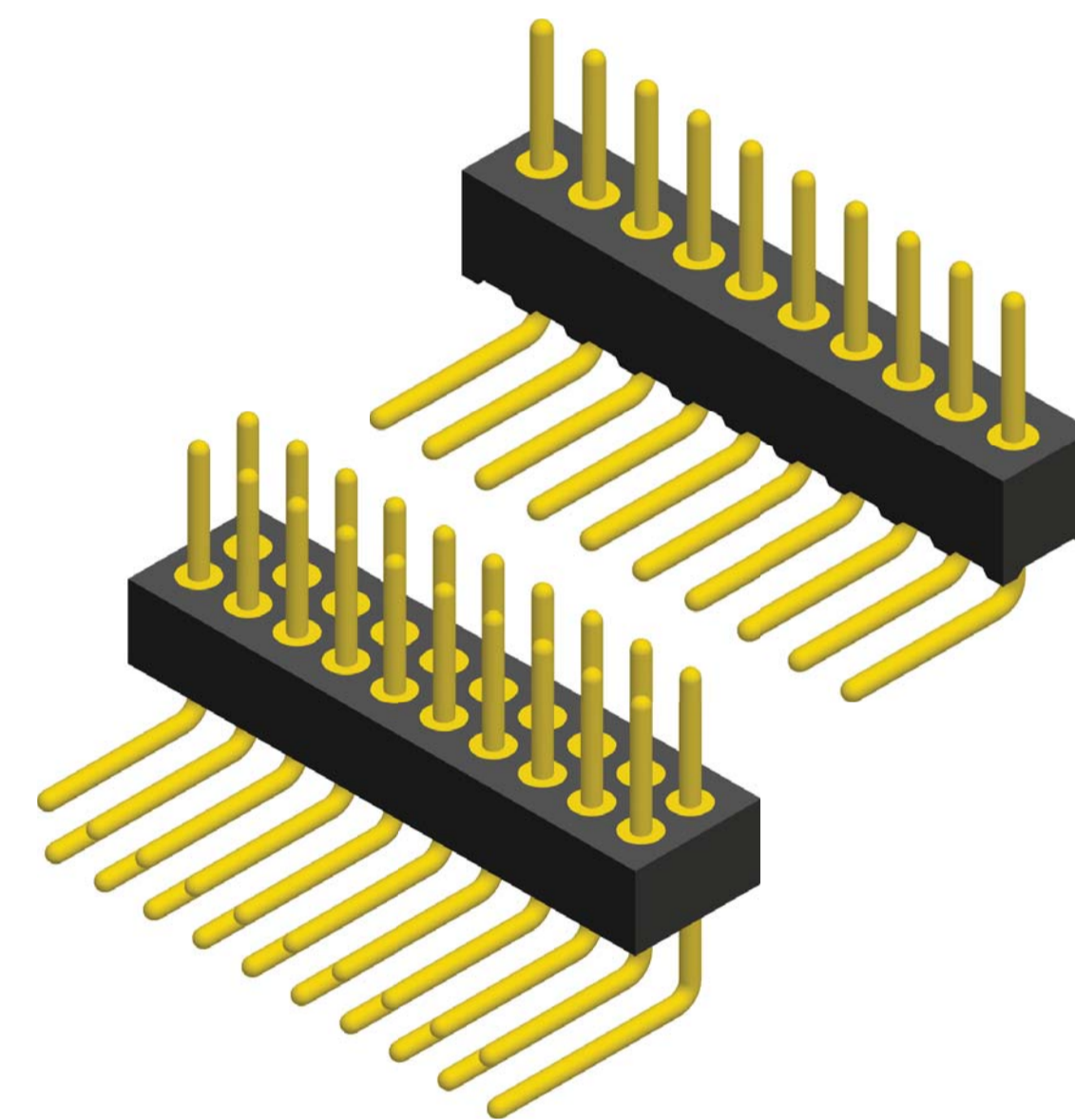
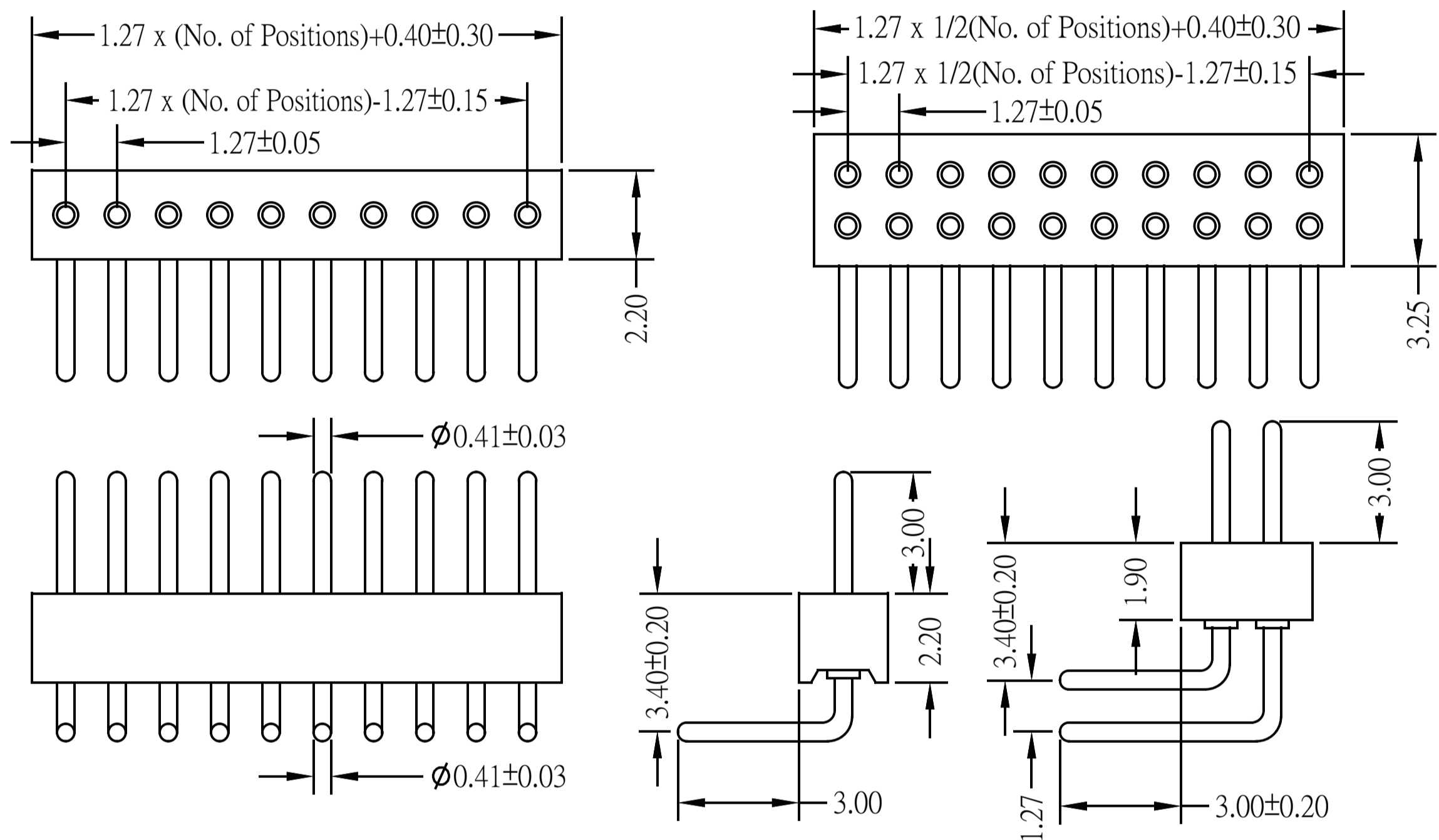
Current Rate: 1 AMP  
 Insulation Resistance: 1000MΩ Min.  
 Contact Resistance: 10mΩ Max.  
 Dielectric Voltage: 1000V AC for one minute  
 Operation Temperature: -40°C to +105°C

### MATERIAL

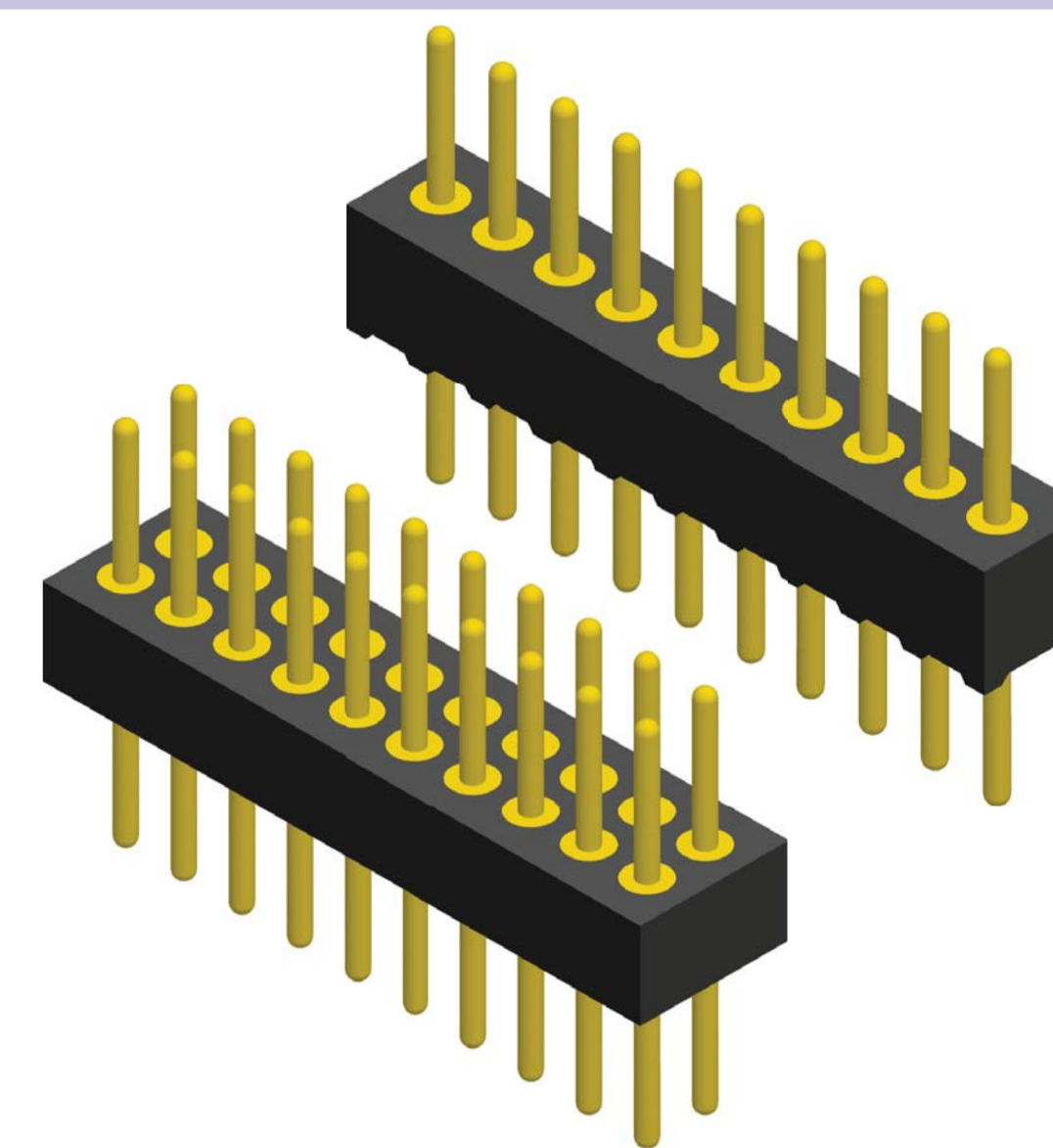
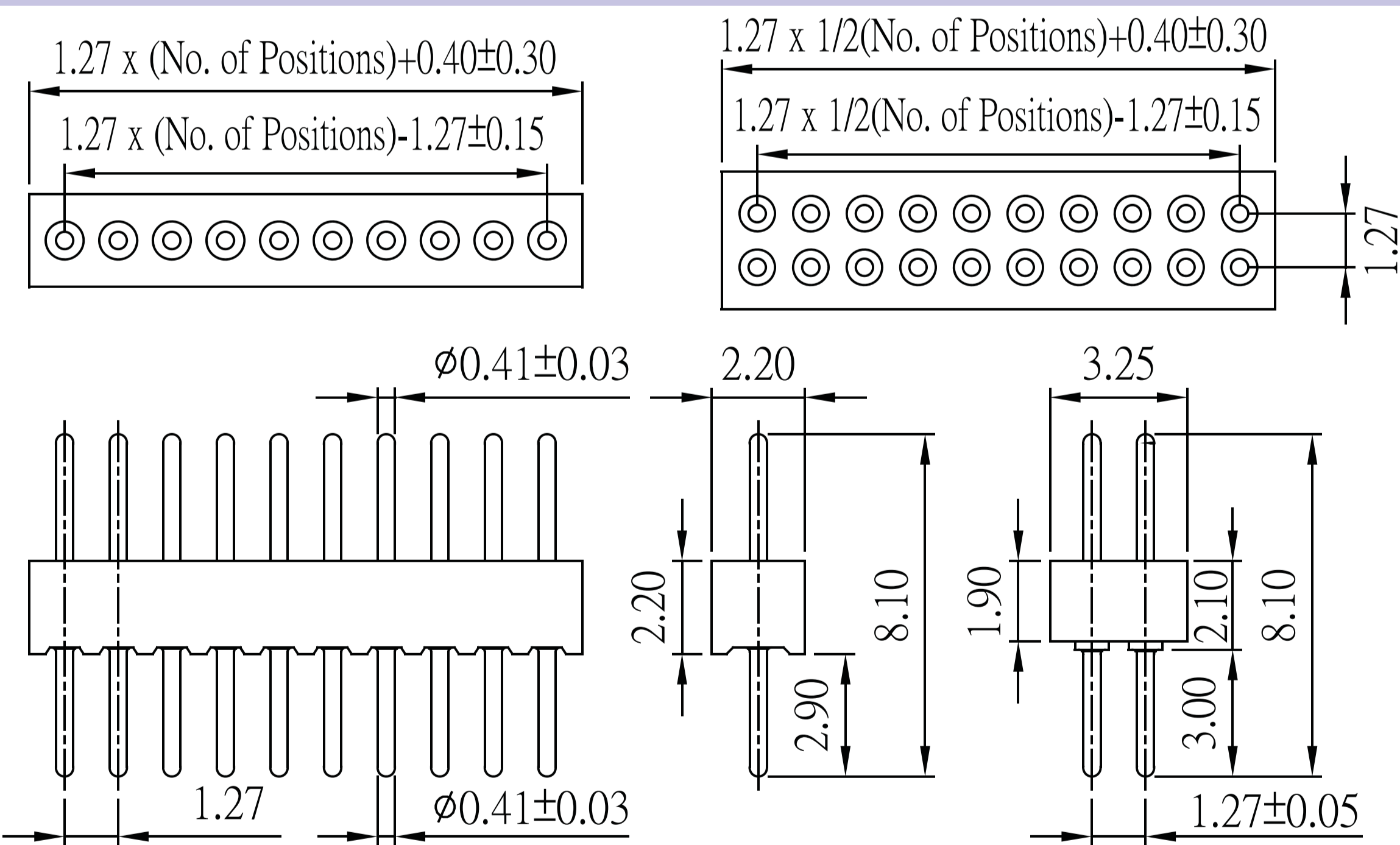
Insulator: Polyester, UL 94V-0  
 Standard: PPS  
 Contact Pin: Copper Alloy  
 Contact Plating: Gold Flash all over



Part No.: MH3M-1/2XX-U

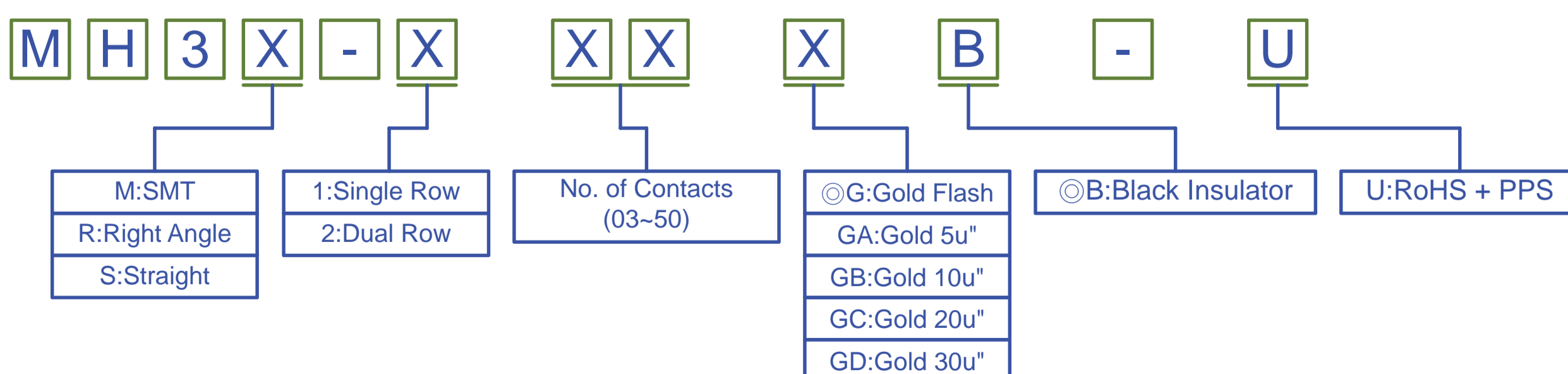


Part No.: MH3R-1/2XX-U

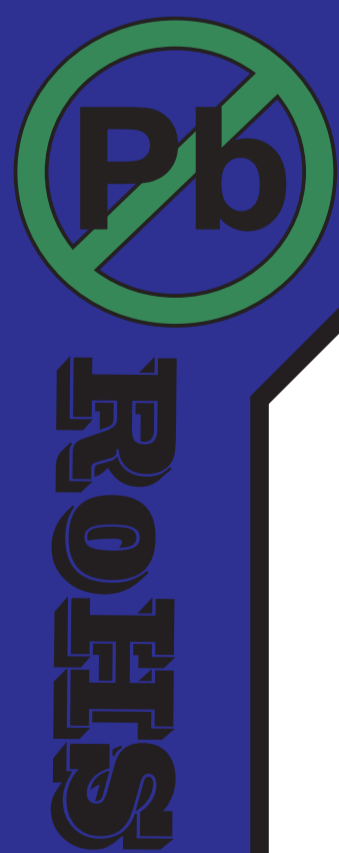


Part No.: MH3S-1/2XX-U

## ORDER INFORMATION



M Machine Pin Socket



RoHS

AMTEK CONNECTOR MANUFACTURER