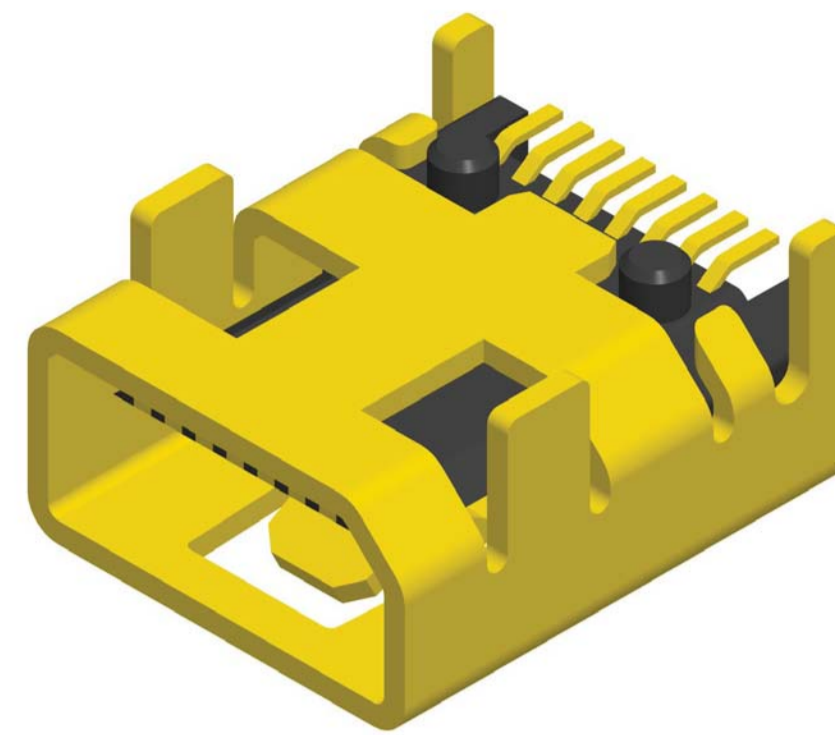
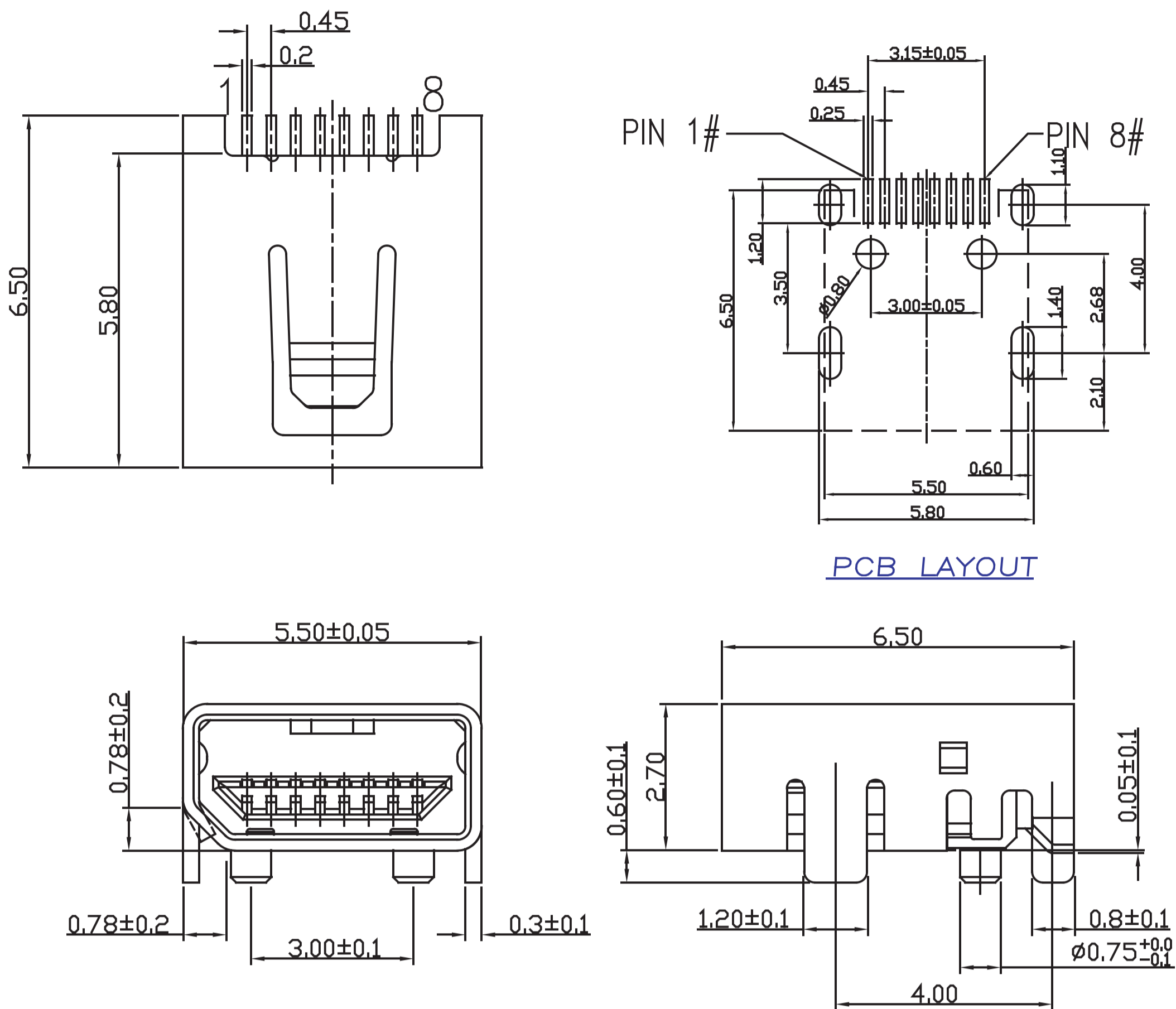


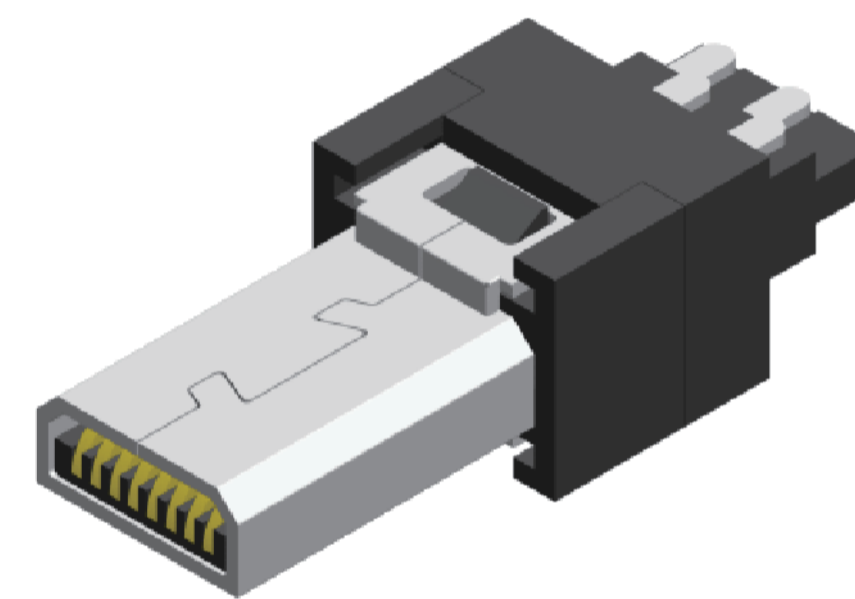
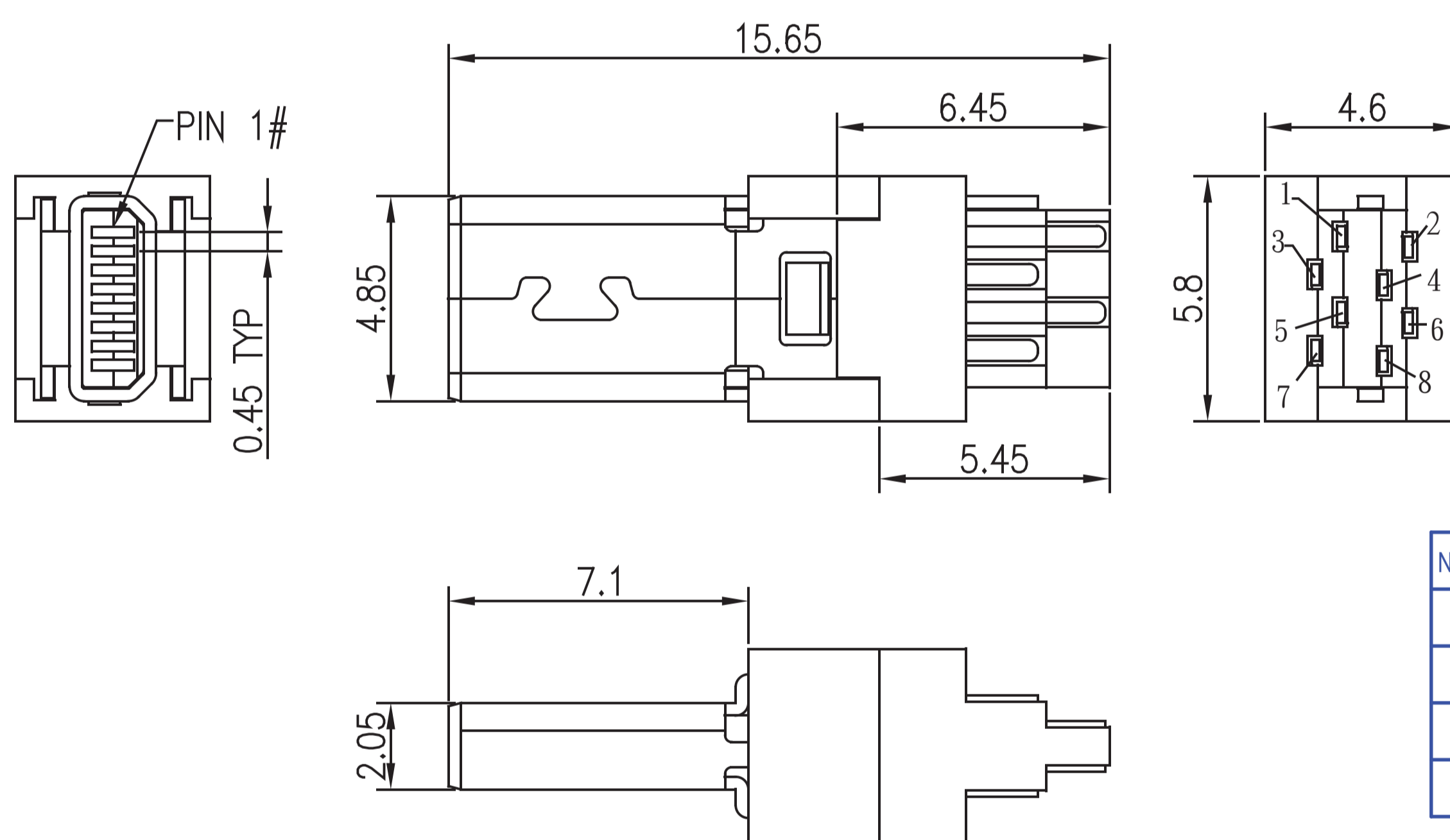
Mini USB Female SMT Type 8P



| No. | Description | Q'ty | Material | Treatment |
|-----|-------------|------|---------------------------------------|--|
| 1 | Shell | 1 | Copper Alloy | Gold Flash all over |
| 2 | Housing | 1 | Hi-Temperature Thermoplastic UL 94V-0 | Molded Black |
| 3 | Contact | 8 | Copper Alloy | Contact Area: AU 10u" Min Plating Solder Area: AU Flash Plating |

Part No.:MUSB-F108M-U

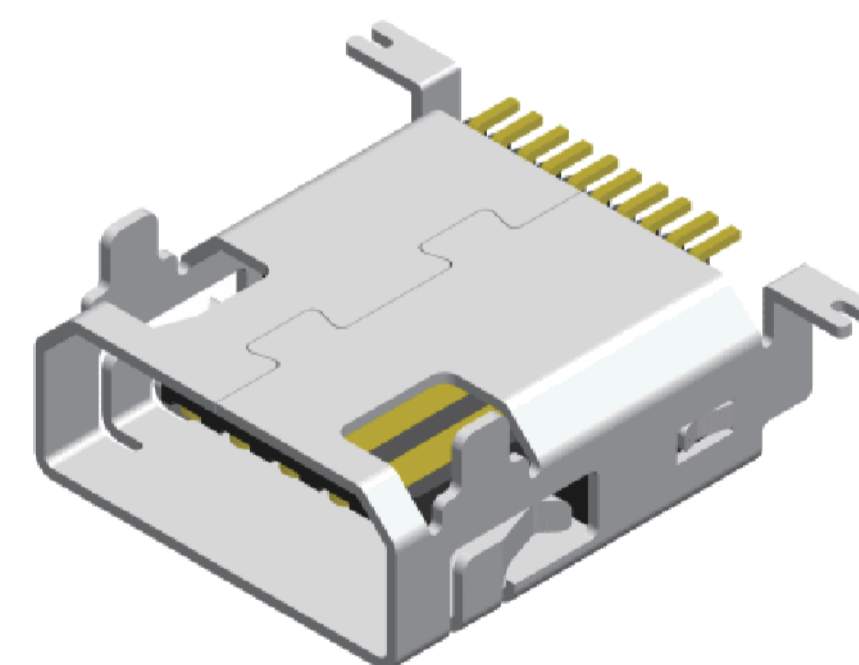
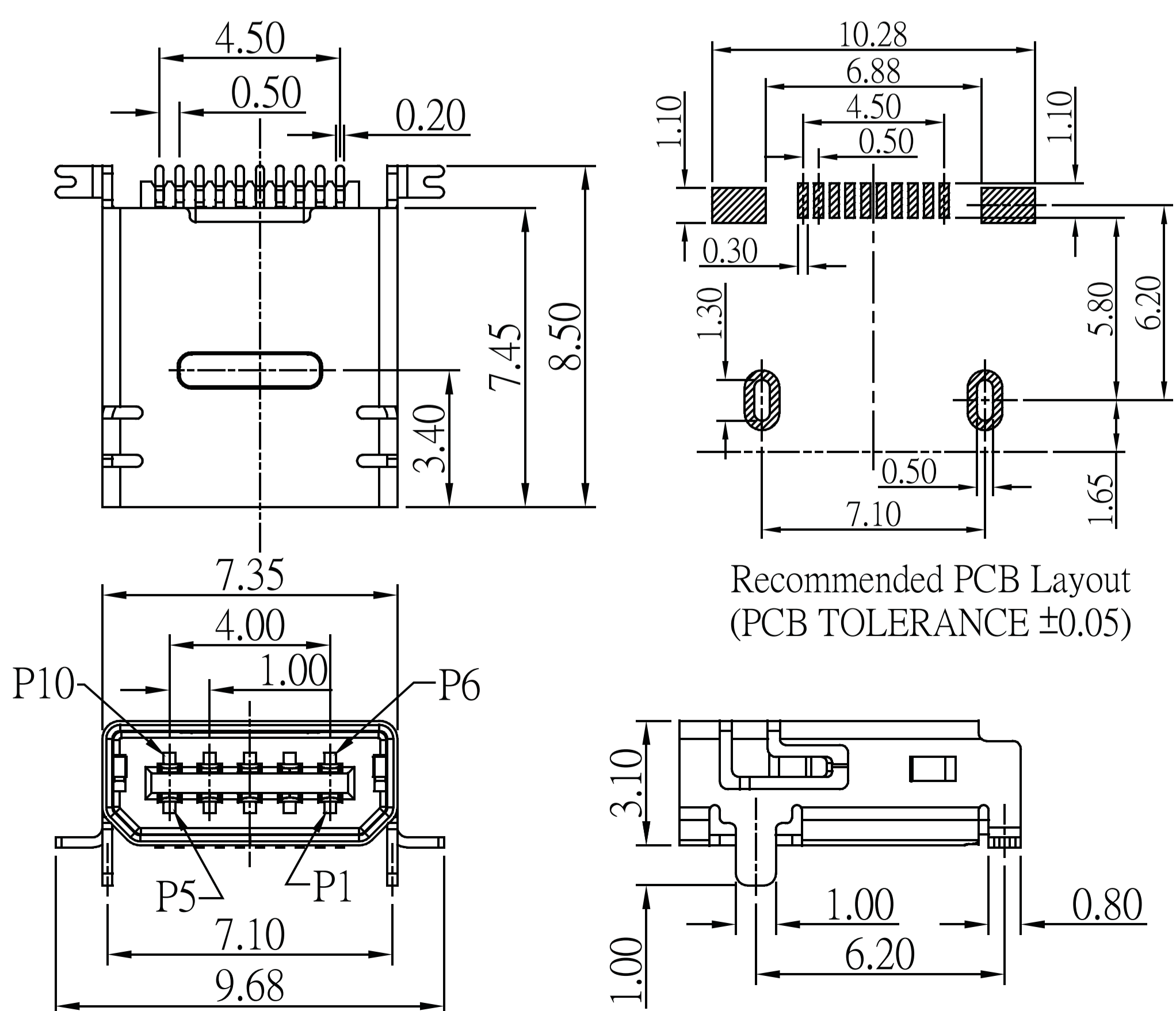
Mini USB Male Solder Type 8P



| No. | Description | Q'ty | Material | Treatment |
|-----|--------------|------|--------------|-----------------------------------|
| 1 | Shell | 1 | Copper Alloy | Nickel |
| 2 | Back Housing | 1 | PBT | Molded Black |
| 3 | Front-Shell | 1 | LCP | Molded Black |
| 4 | Contact | 8 | Copper Alloy | Contact Area: AU 10u" Min Plating |

Part No.:MUSB-M108S-U

Mini USB Female SMT Type 10P



| No. | Parts | QTY | |
|-----|-------------|-----|--|
| 1 | Housing | 1 | LCP(UL94-V0)Black |
| 2 | Contact Pin | 10 | Copper T=0.2 Under Plated 50u" Min. Nickel Over All Gold Over All, Gold Plated in Contact Area |
| 3 | Shell Cover | 1 | Copper T=0.25 Ni Over All |

Part No.:MUSB-F10M-U