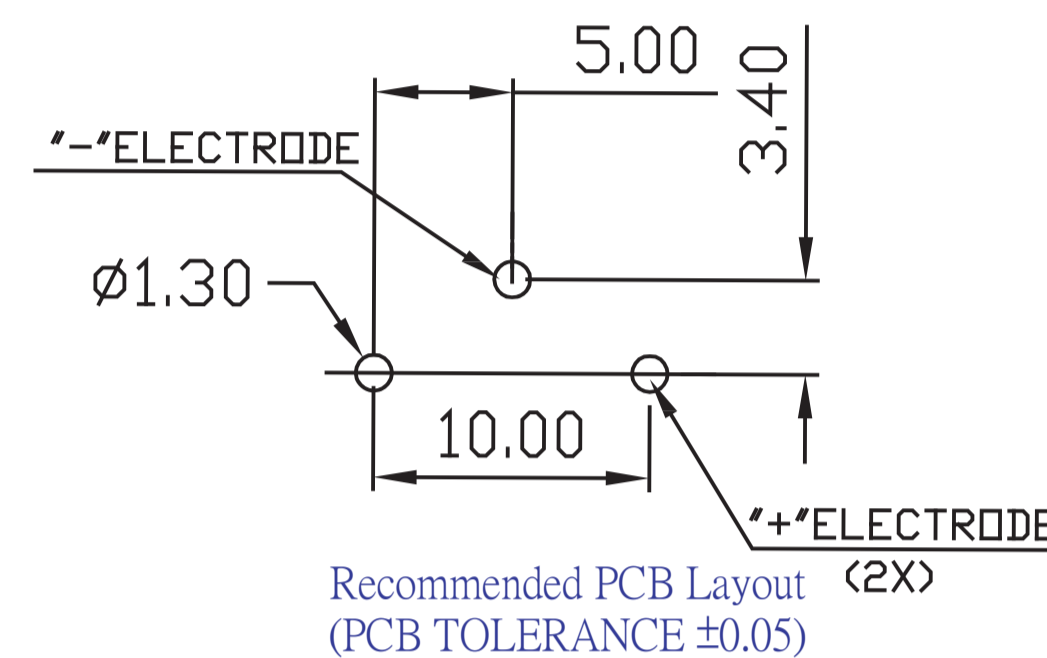
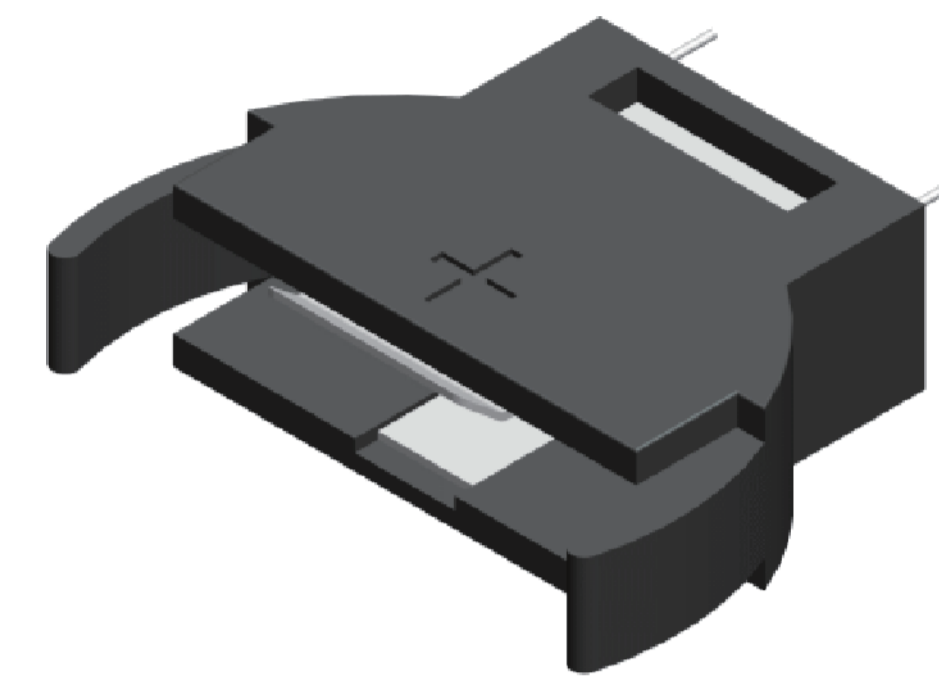
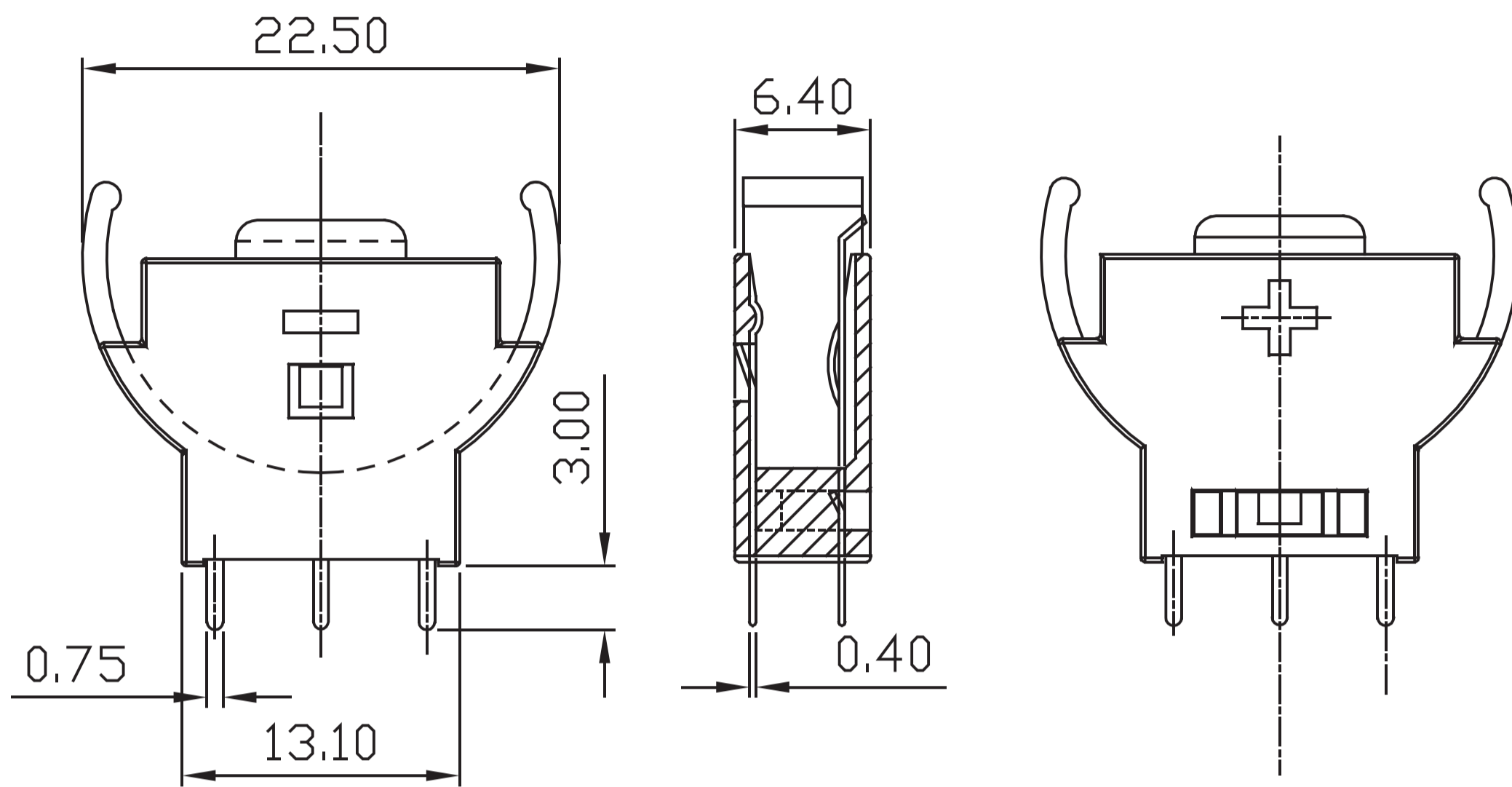


Battery Holder Conn. Coin Type

MATERIAL

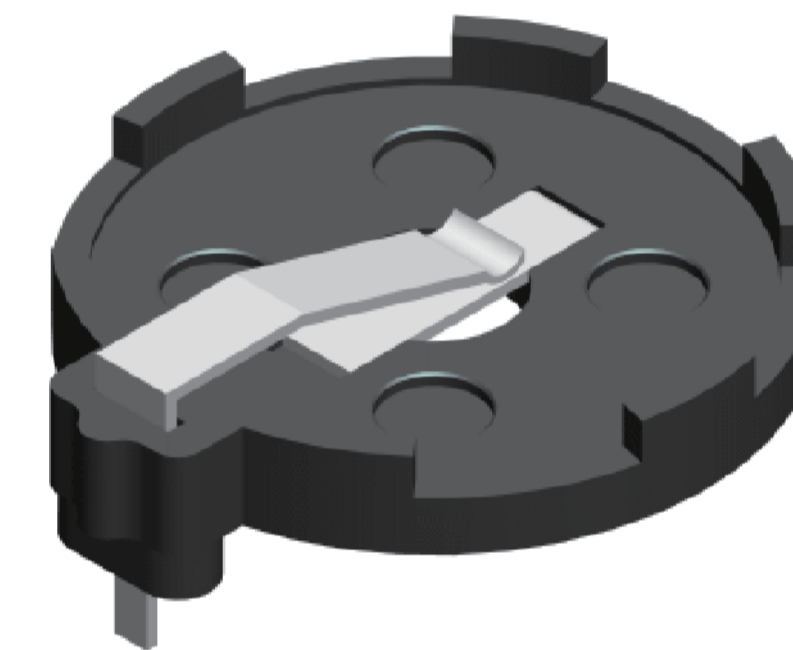
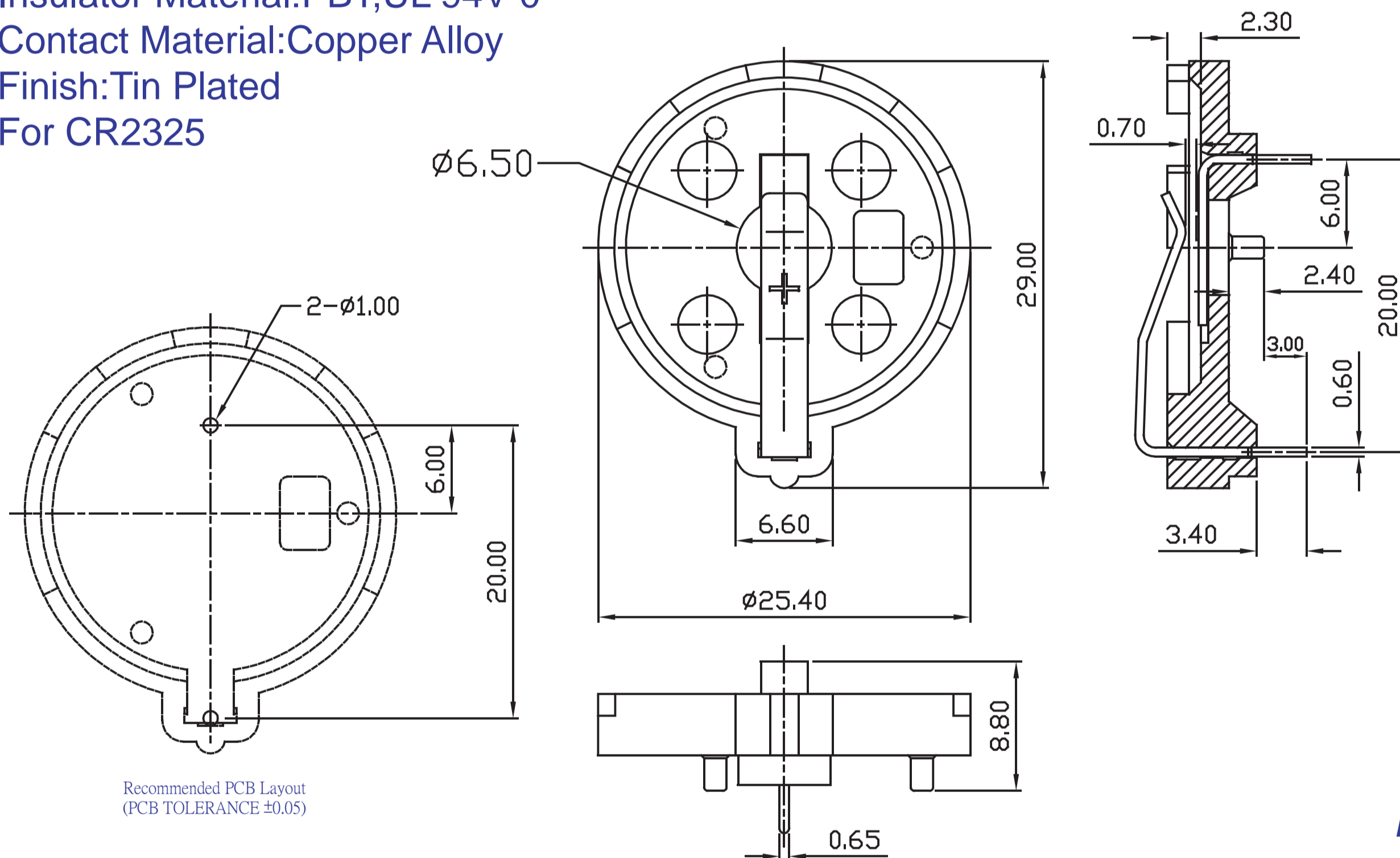
Insulator Material:Nylon 46,UL 94V-0
 Contact Material:Copper Alloy
 Finish: Tin Plated
 For CR2032



Part No.:BTV-2032TB-U

MATERIAL

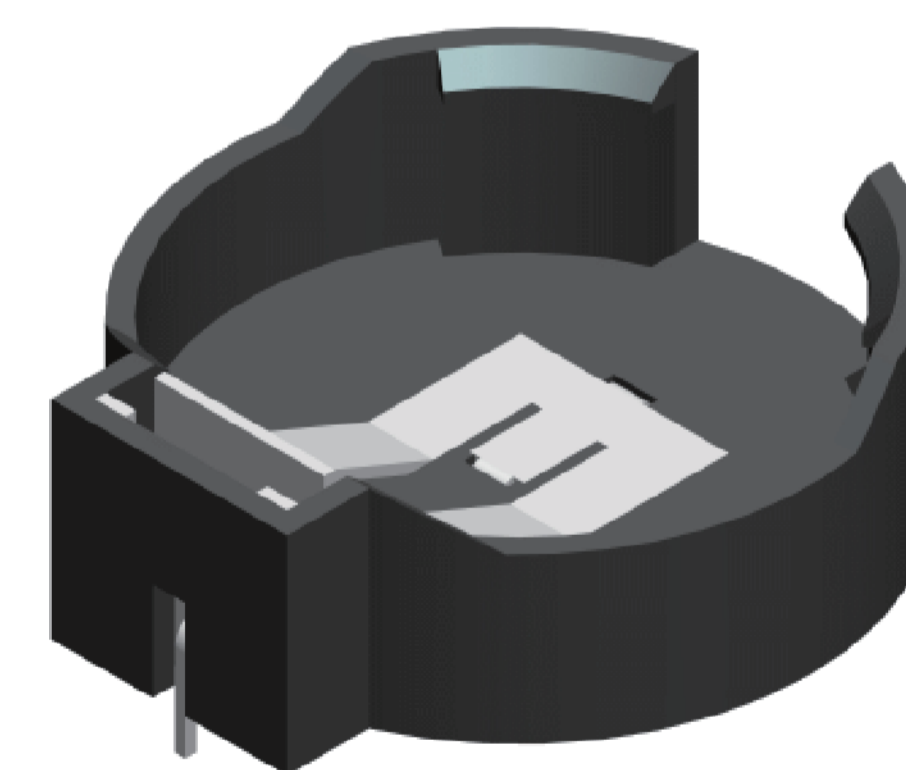
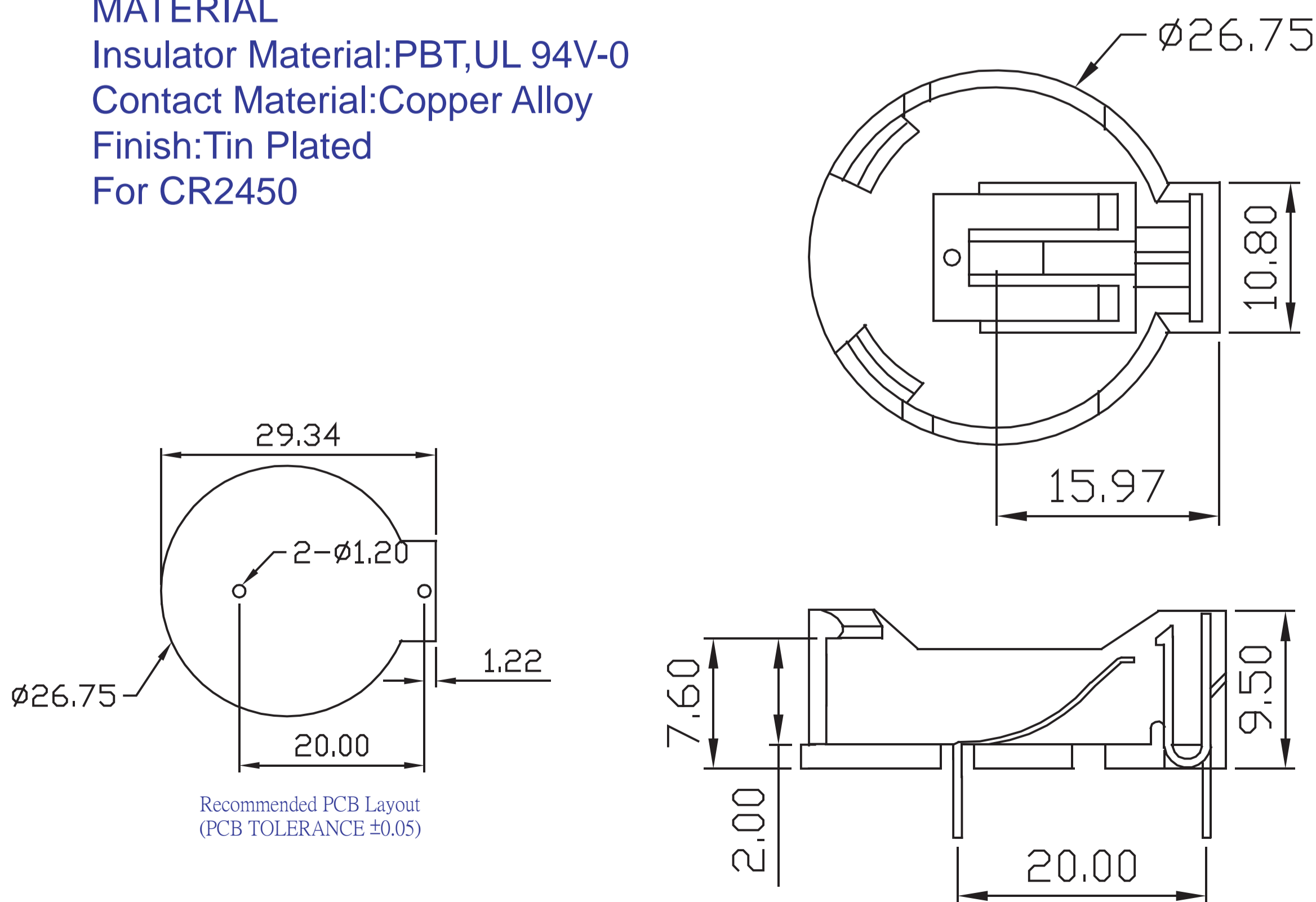
Insulator Material:PBT,UL 94V-0
 Contact Material:Copper Alloy
 Finish: Tin Plated
 For CR2325



Part No.:BTD-2325TB-L

MATERIAL

Insulator Material:PBT,UL 94V-0
 Contact Material:Copper Alloy
 Finish: Tin Plated
 For CR2450



Part No.:BTD-2450TB-L