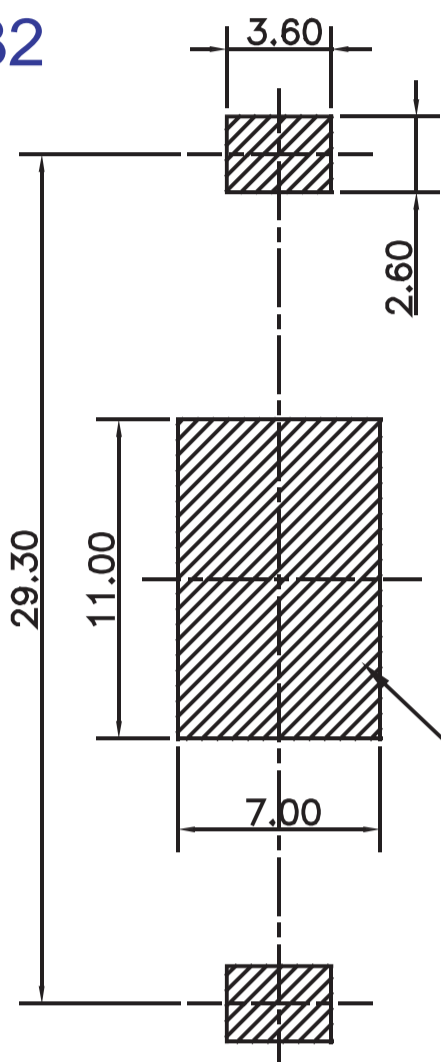


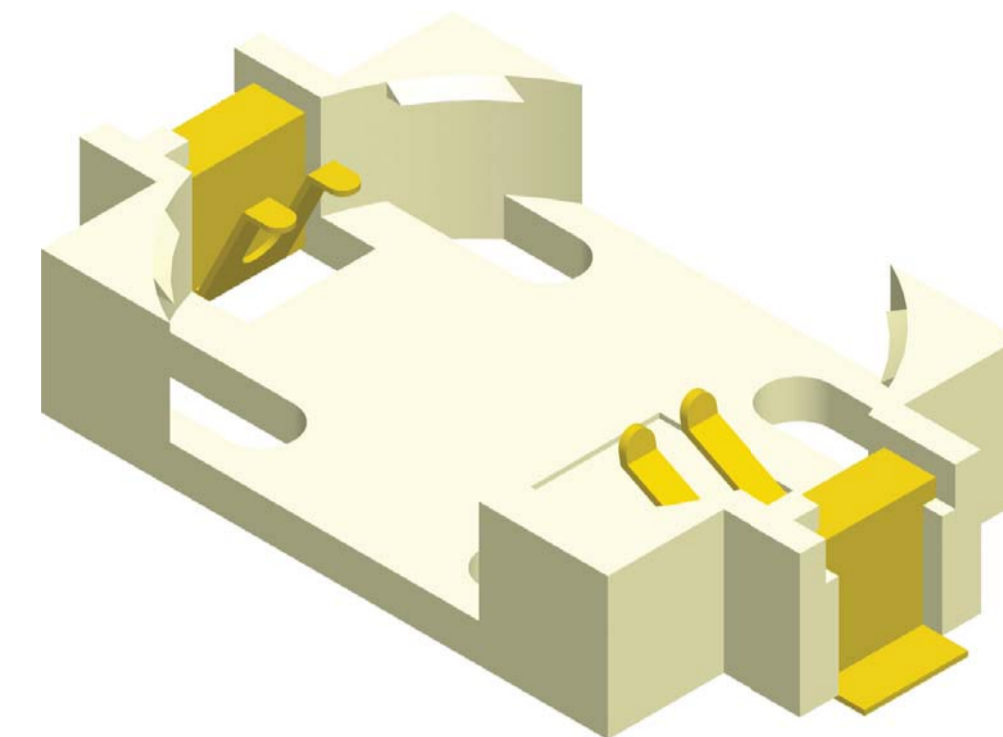
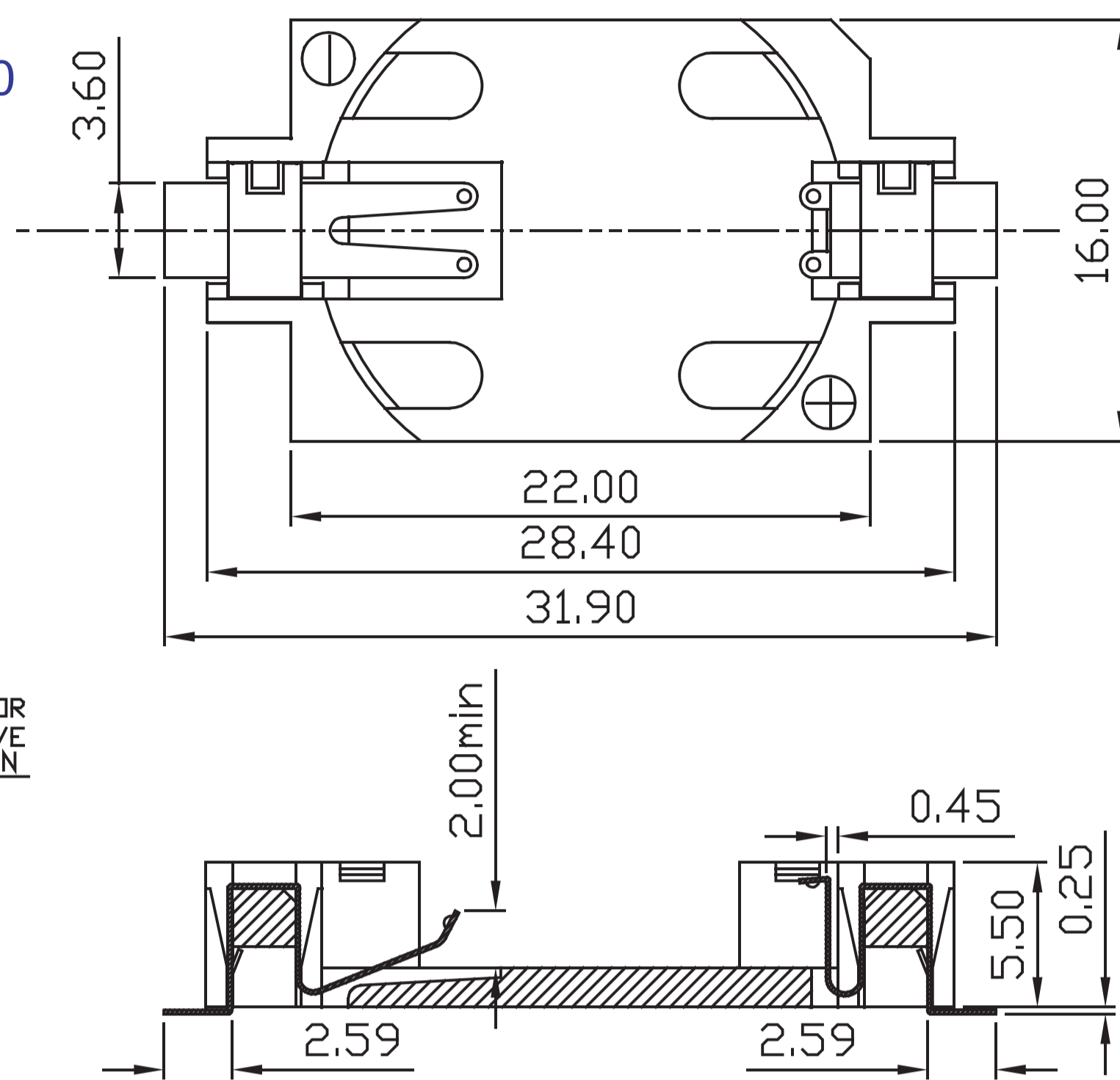
Battery Holder Conn. Coin Type

MATERIAL

Insulator Material:LCP,UL 94V-0
 Contact Material:Copper Alloy
 Finish:Gold Flash
 For CR2032



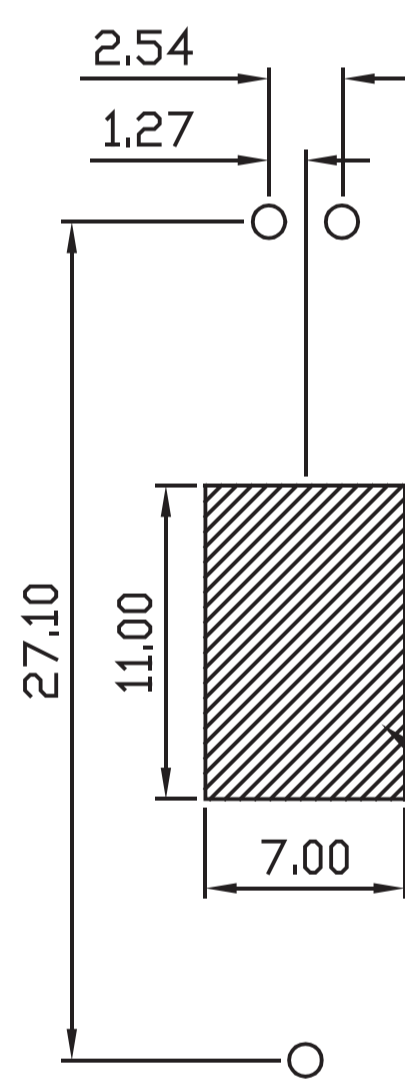
Recommended PCB Layout
 (PCB TOLERANCE ±0.05)



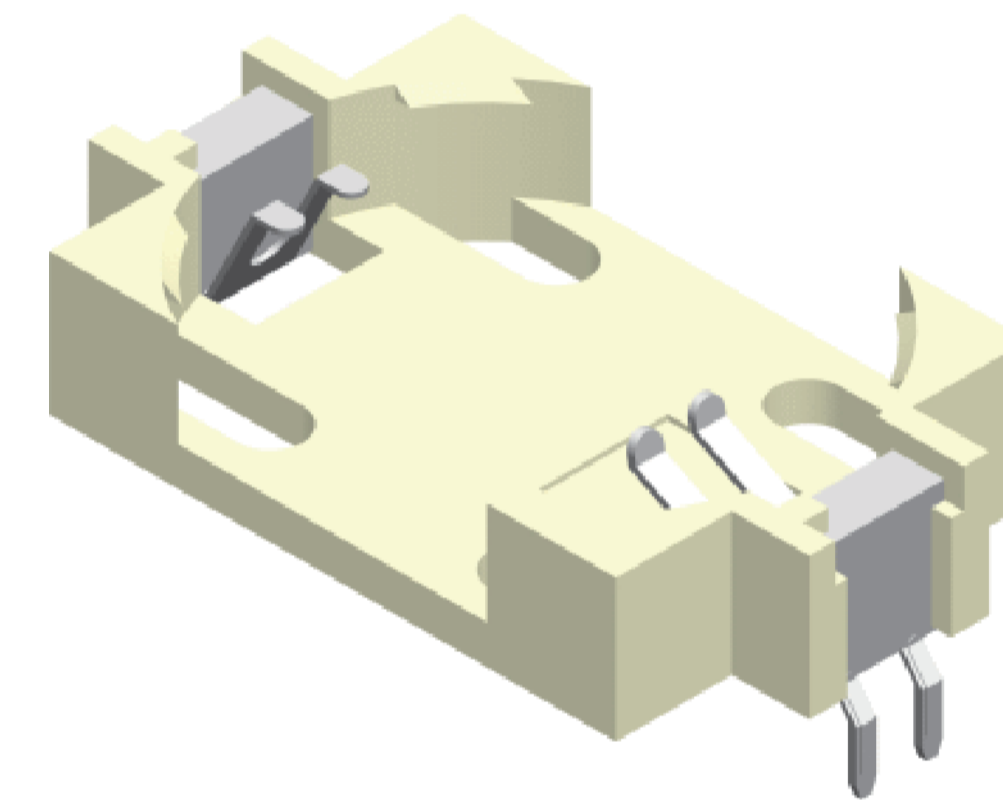
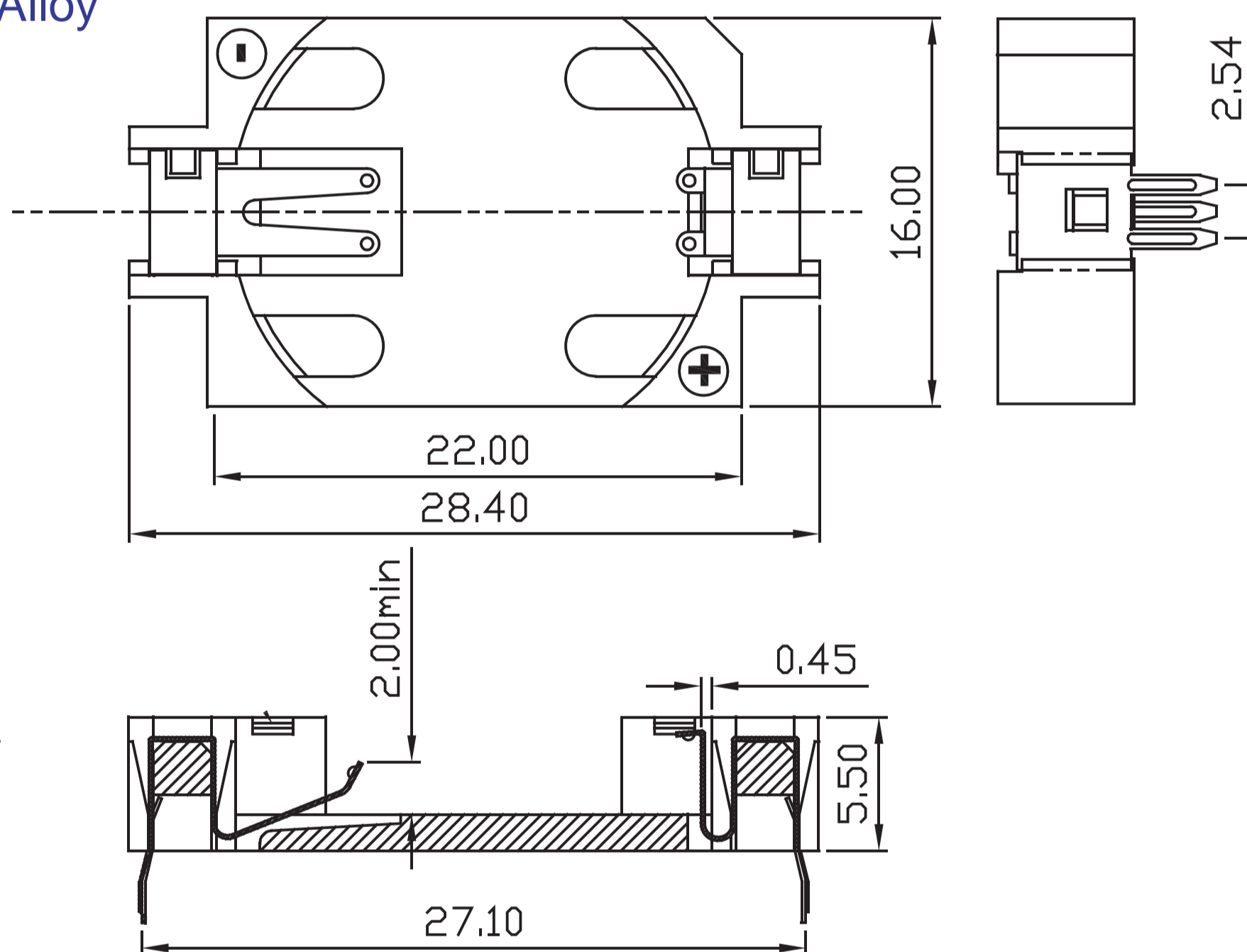
Part No.:BTM-2032GW-U

MATERIAL

Insulator Material:LCP,UL 94V-0
 Contact Material:Copper Alloy
 Finish:Tin Plated
 For CR2032



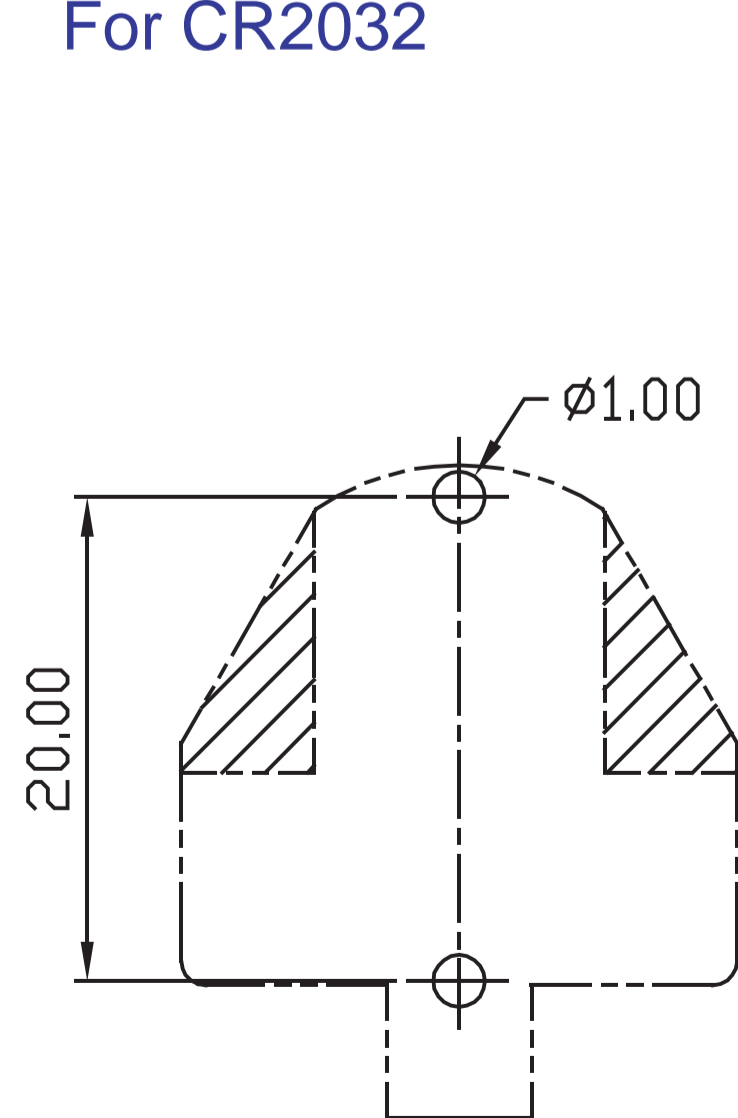
Recommended PCB Layout
 (PCB TOLERANCE ±0.05)



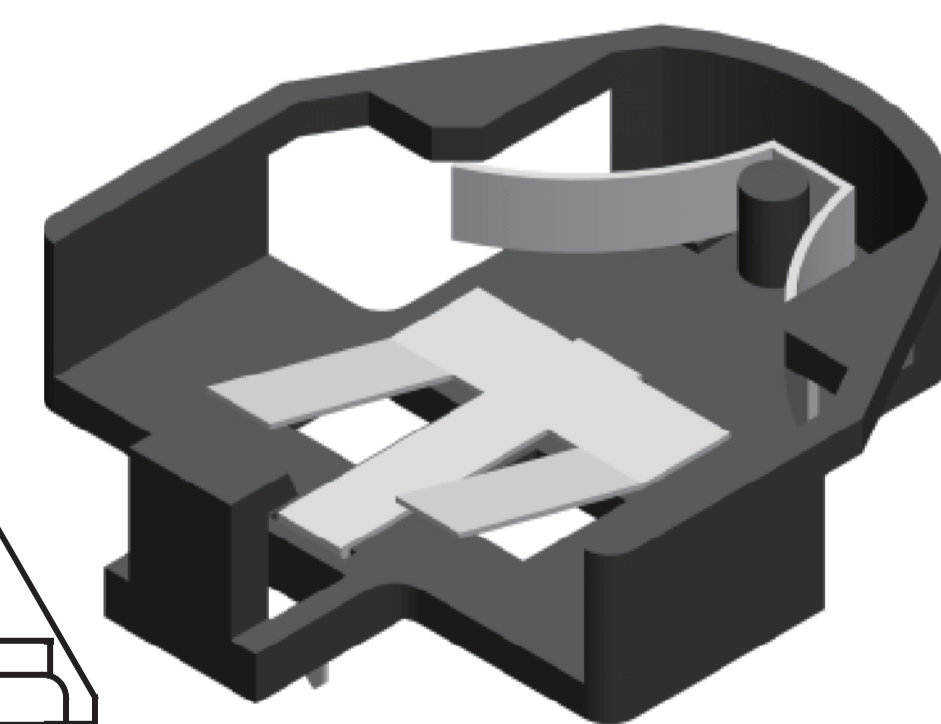
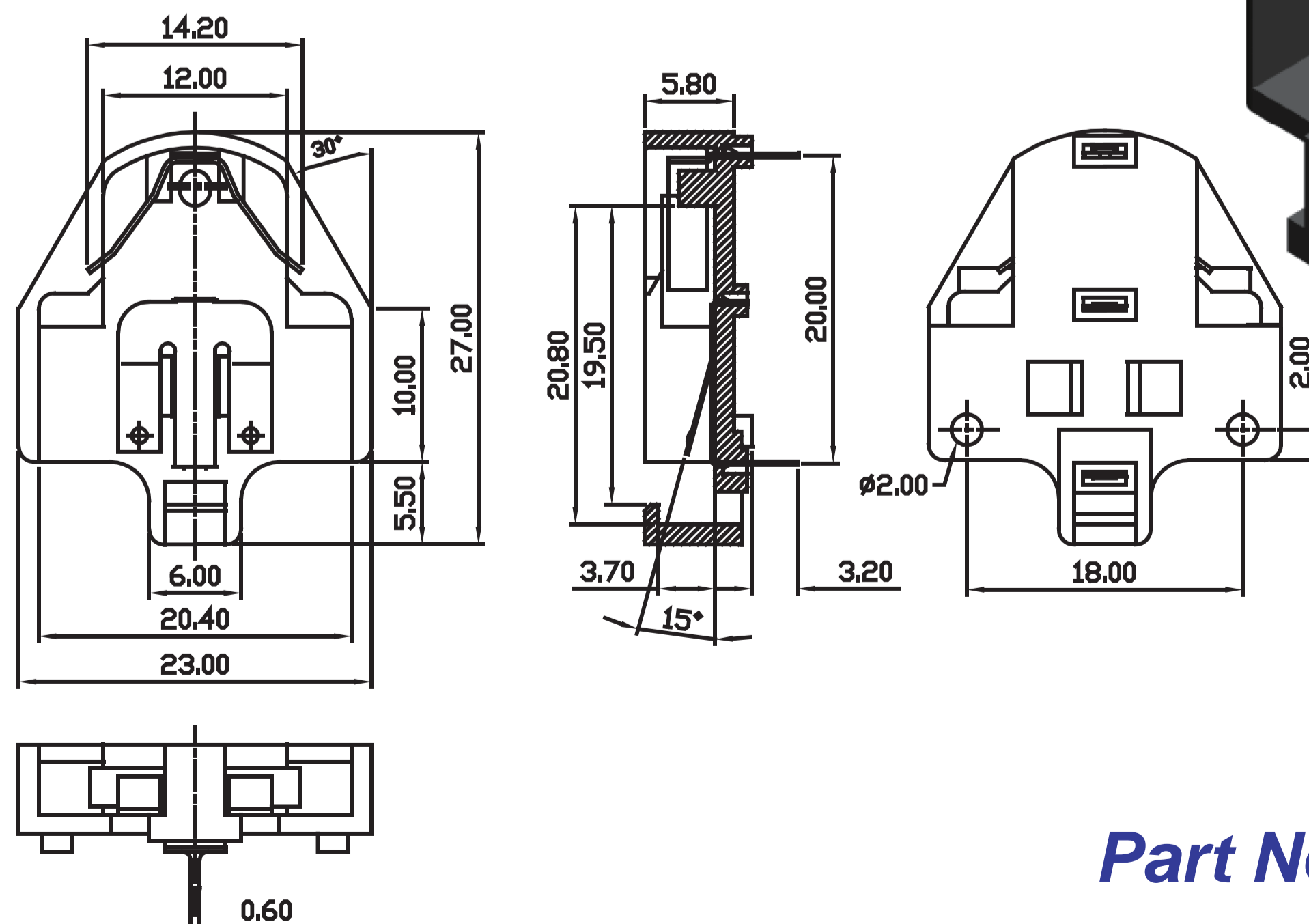
Part No.:BTM-2032TW-U

MATERIAL

Insulator Material:PBT,UL 94V-0
 Contact Material:Copper Alloy
 Finish:Tin Plated
 For CR2032



Recommended PCB Layout
 (PCB TOLERANCE ±0.05)



Part No.:BTDA-2032TB-L