

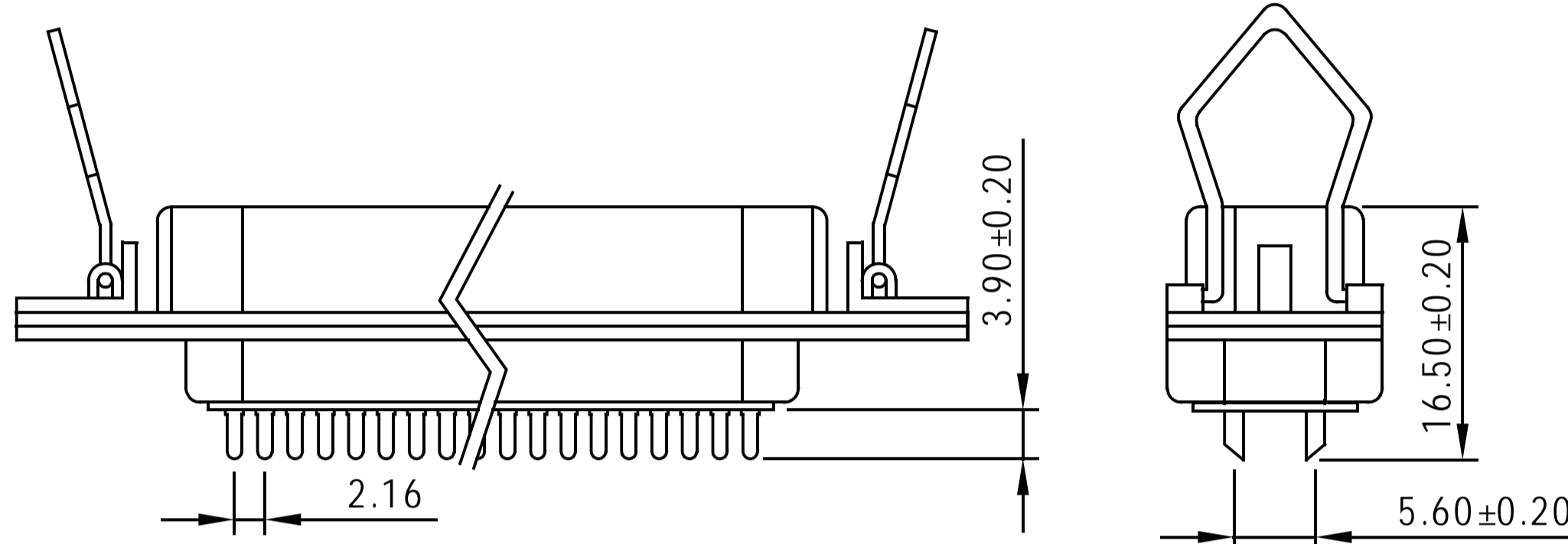
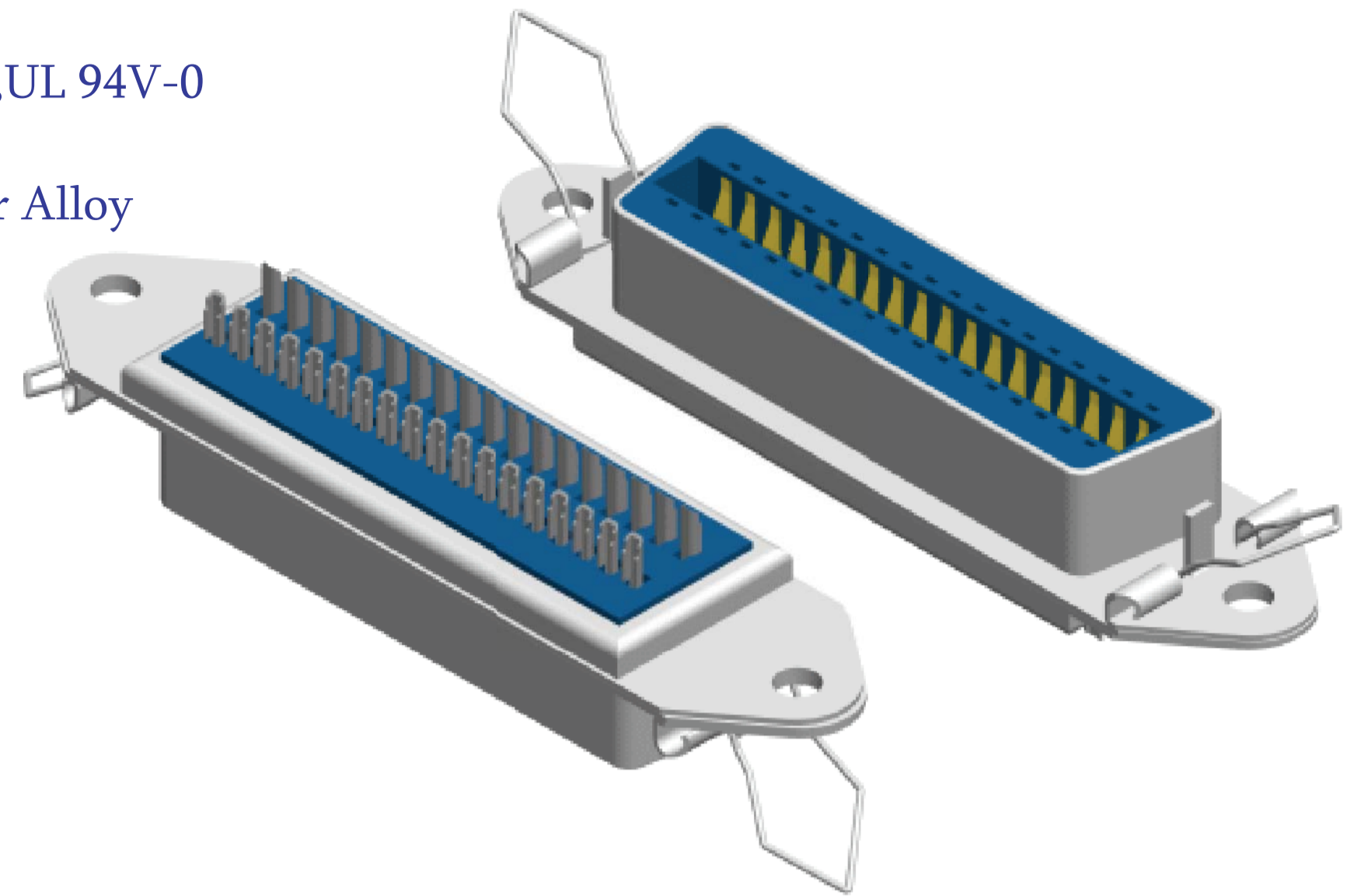
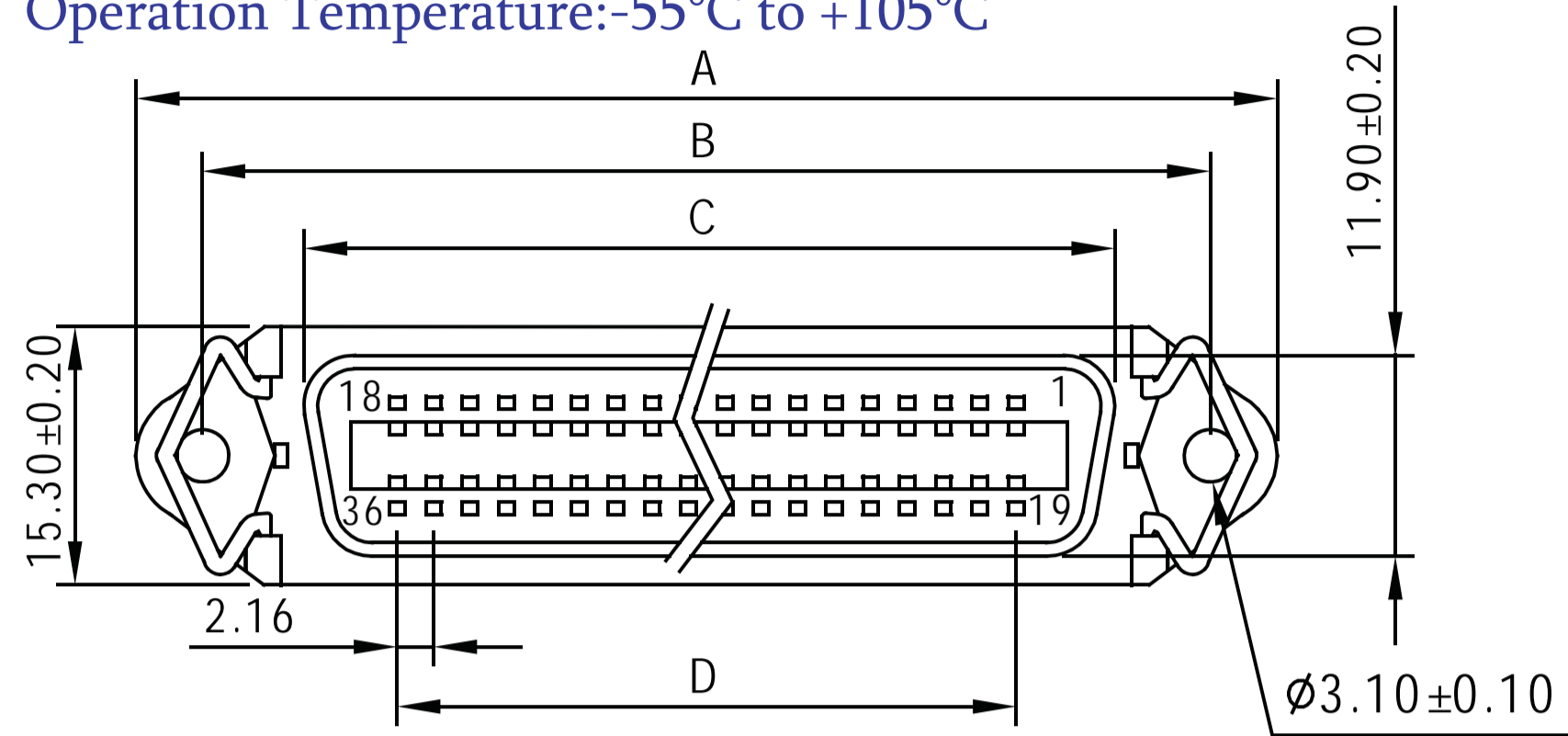
## Centronic Solder Type

### SPECIFICATION

Current Rate:1 AMP  
 Insulation Resistance:1000MΩ Min.  
 Contact Resistance:30mΩ Max.  
 Dielectric Voltage:500V AC for one minute  
 Operation Temperature:-55°C to +105°C

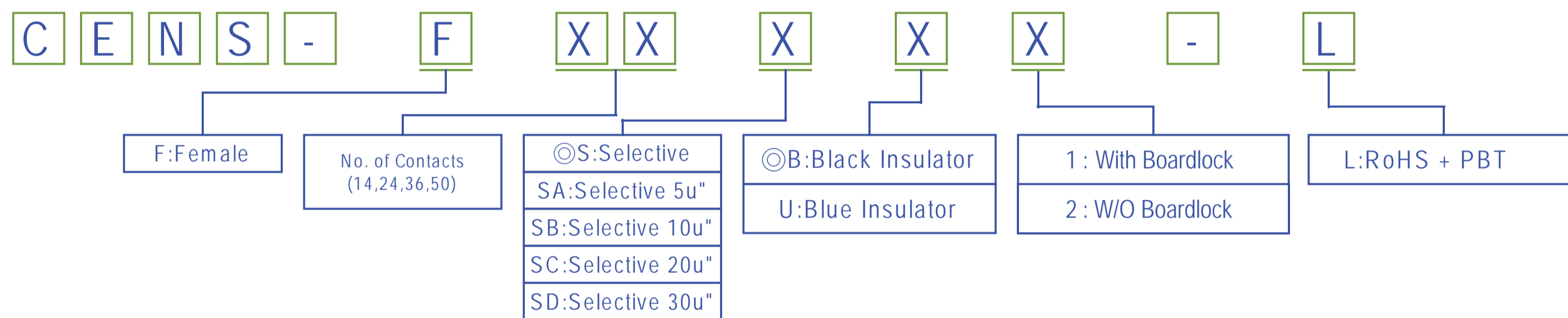
### MATERIAL

Insulator:Polyester,UL 94V-0  
 ◎Standard:PBT  
 Contact Pin:Copper Alloy



Part No.	A±0.20	B±0.20	C±0.20	D±0.20
CENS-F14	43.90	35.99	25.20	12.96
CENS-F24	54.71	46.79	36.00	23.76
CENS-F36	67.69	59.74	48.90	36.72
CENS-F50	82.78	74.85	64.00	51.84

### Order Information



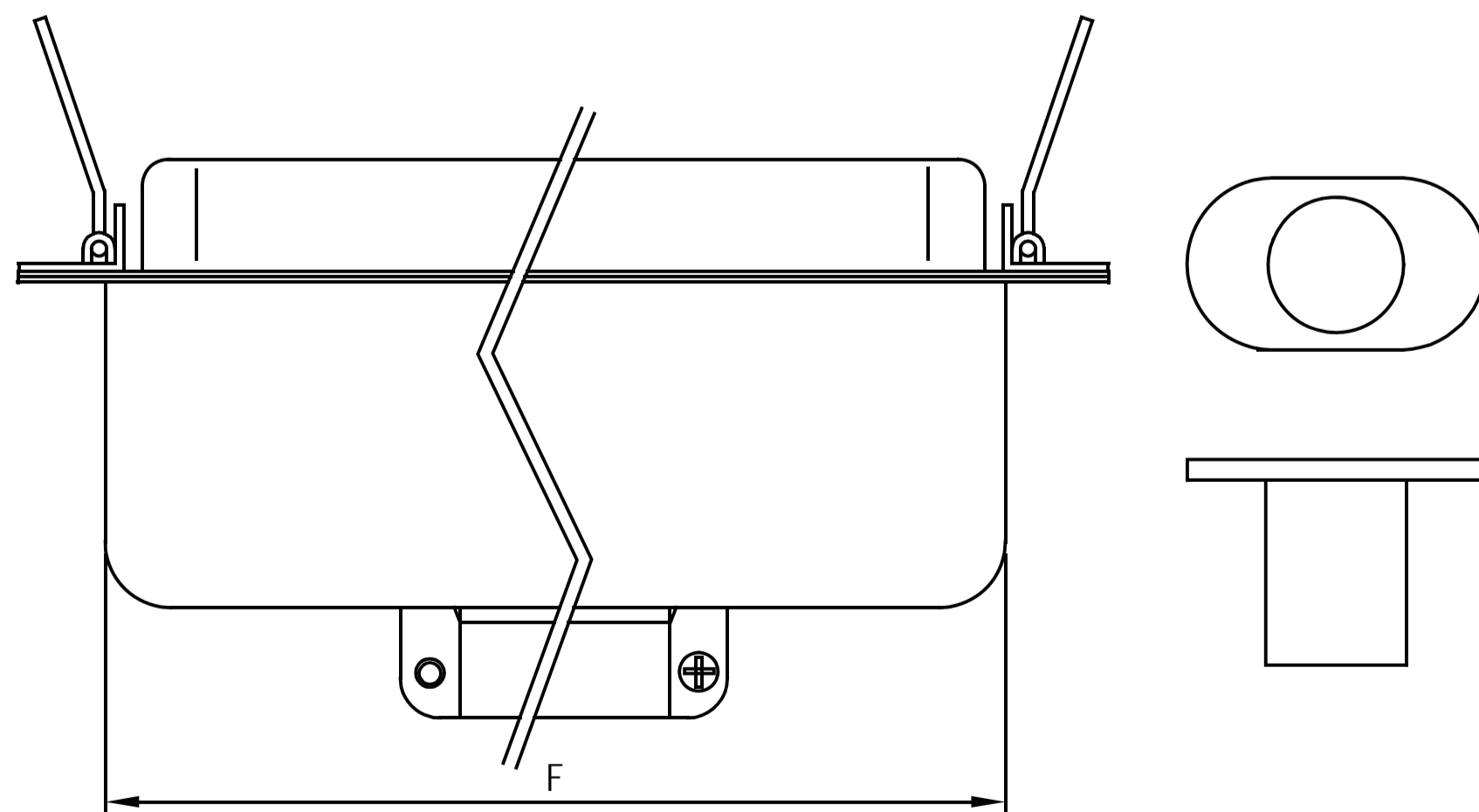
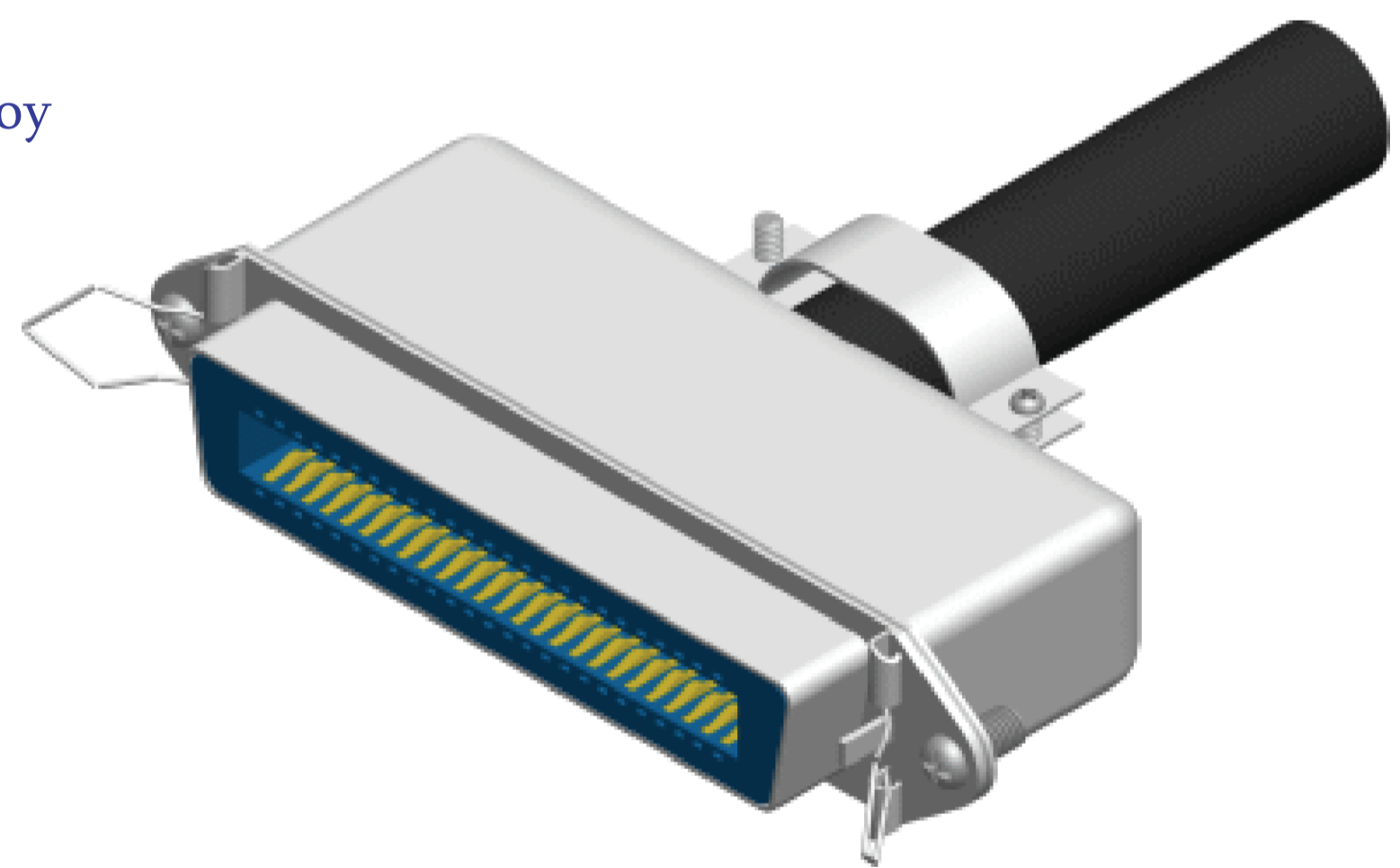
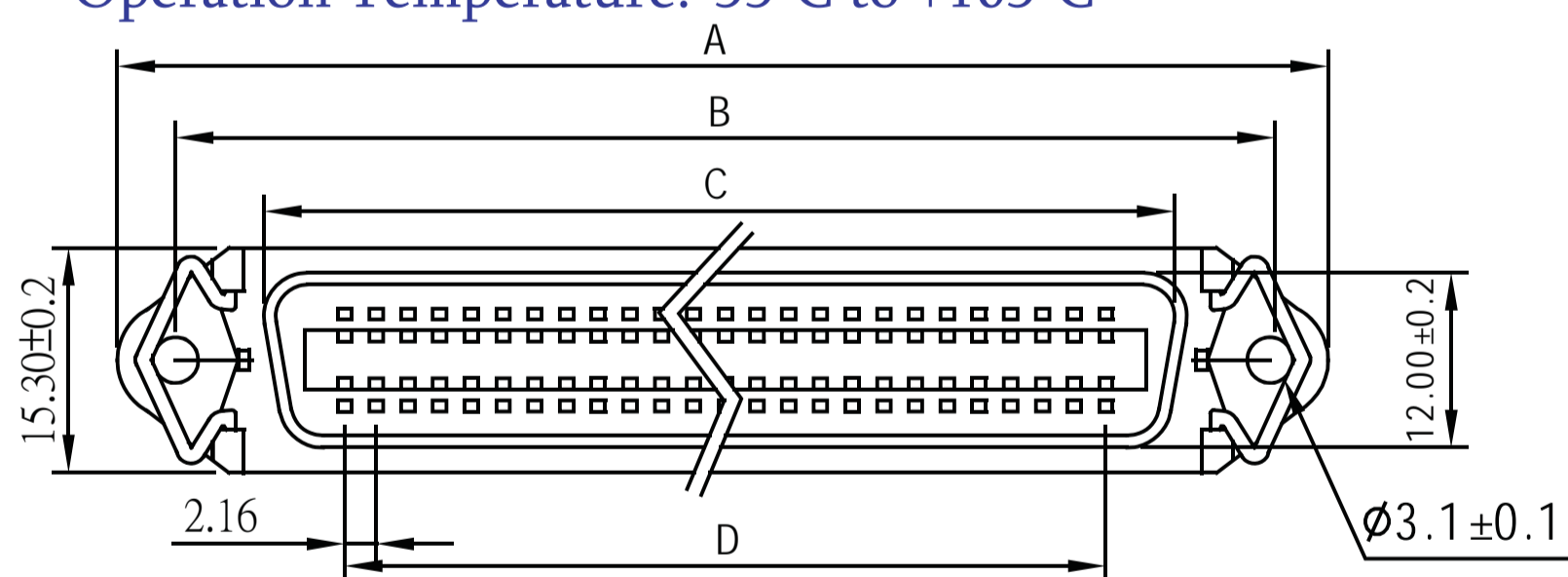
## Centronic Solder Assembly Type

### SPECIFICATION

Current Rate:1 AMP  
 Insulation Resistance:1000MΩ Min.  
 Contact Resistance:30mΩ Max.  
 Dielectric Voltage:500V AC for one minute  
 Operation Temperature:-55°C to +105°C

### MATERIAL

Insulator:Polyester,UL 94V-0  
 ◎Standard:PBT  
 Contact Pin:Copper Alloy



Part No.	A±0.2	B±0.2	C±0.2	D±0.03	F±0.2
CENA-F14	43.92	35.99	25.20	12.96	29.00
CENA-F24	54.71	46.79	36.00	23.76	39.80
CENA-F36	67.69	59.74	48.90	36.72	53.00
CENA-F50	82.78	74.85	64.00	51.84	68.10

### Order Information

