

CONNECTORS MANUFACTURER



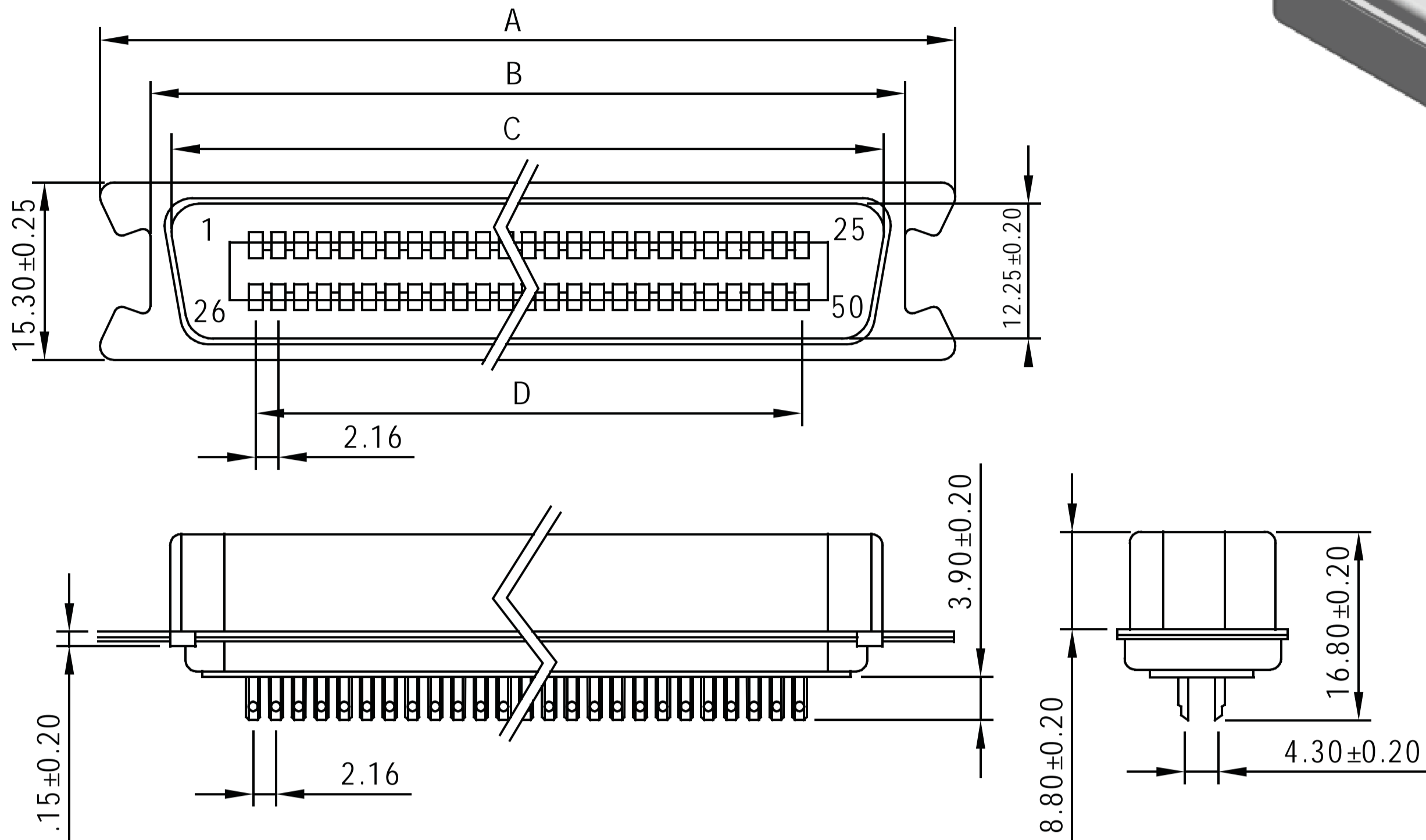
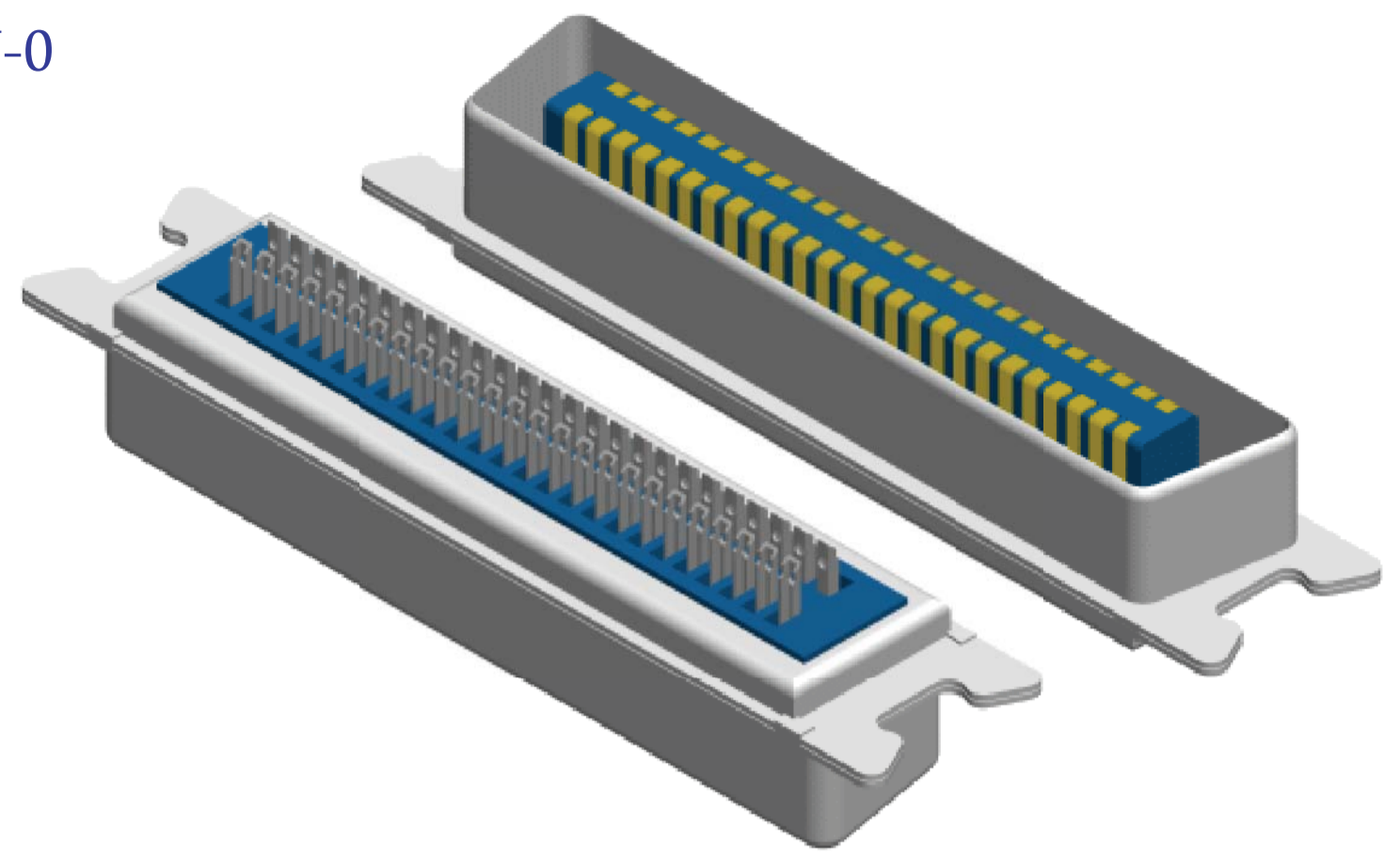
Centronic Solder Type

SPECIFICATION

Current Rate:1 AMP
 Insulation Resistance:1000MΩ Min.
 Contact Resistance:30mΩ Max.
 Dielectric Voltage:500V AC for one minute
 Operation Temperature:-55°C to +105°C

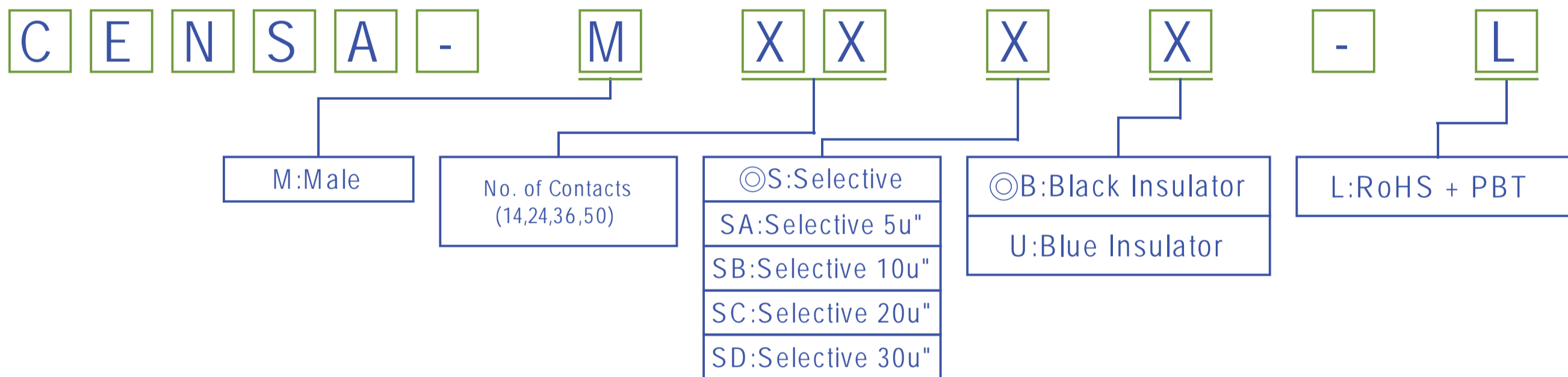
MATERIAL

Insulator:Polyester,UL 94V-0
 ◎Standard:PBT
 Contact Pin:Copper Alloy



Part No.	A±0.20	B±0.20	C±0.20	D±0.20
CENSA-M14	38.80	30.20	25.60	12.96
CENSA-M24	49.30	40.20	36.47	23.76
CENSA-M36	62.00	53.50	49.35	36.72
CENSA-M50	77.40	68.30	64.47	51.84

Order Information



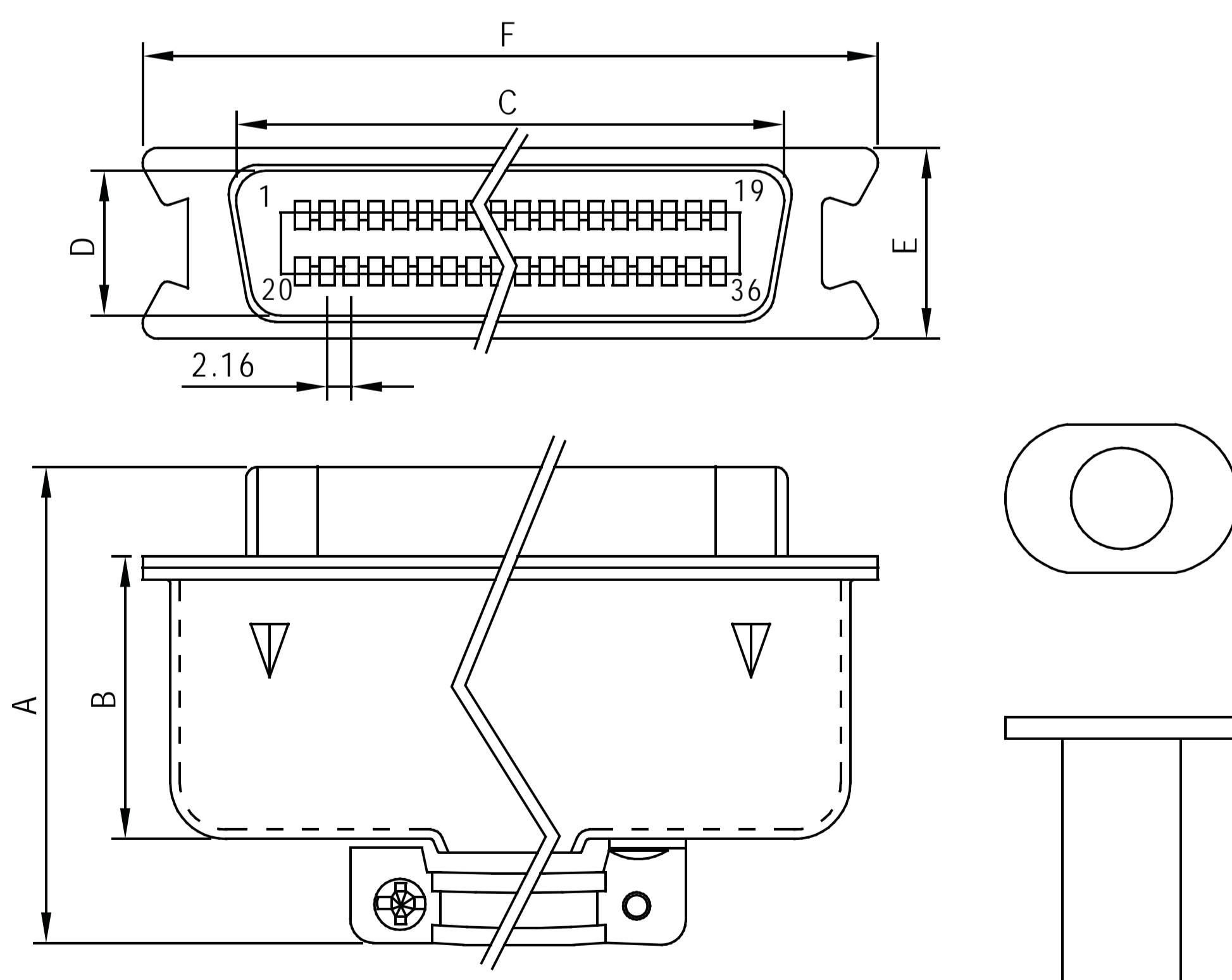
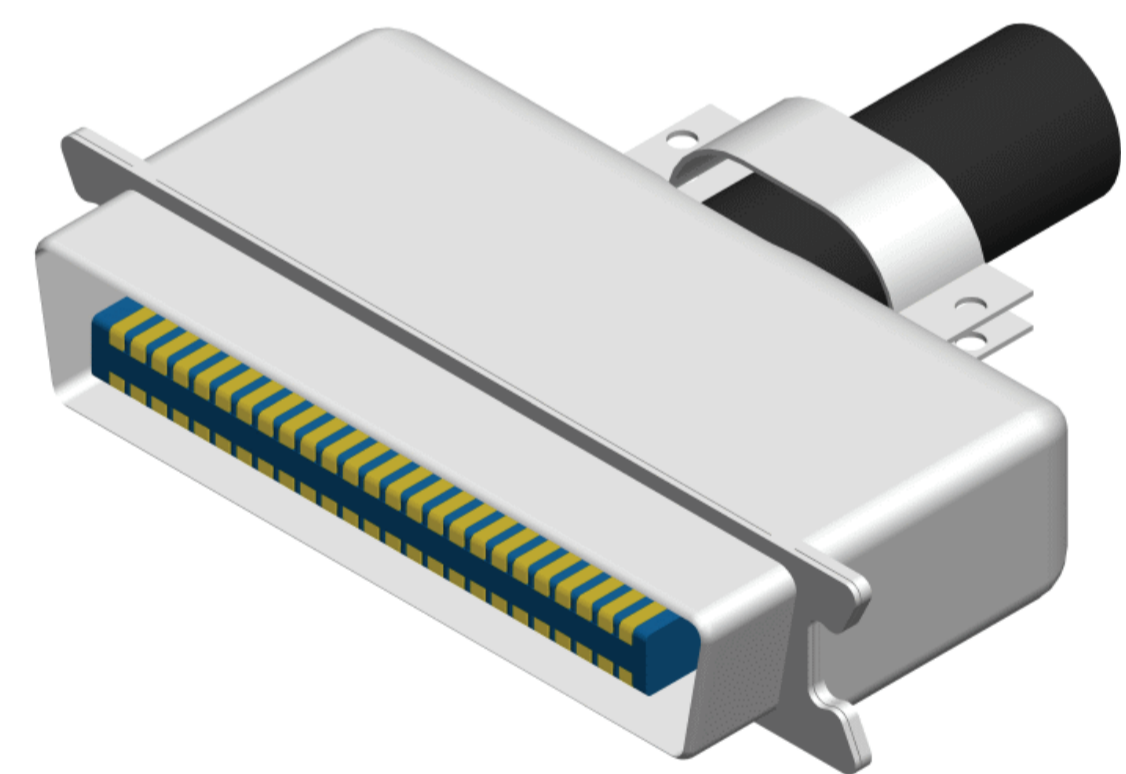
Centronic Solder Assembly Type

SPECIFICATION

Current Rate:1 AMP
 Insulation Resistance:1000MΩ Min.
 Contact Resistance:30mΩ Max.
 Dielectric Voltage:500V AC for one minute
 Operation Temperature:-55°C to +105°C

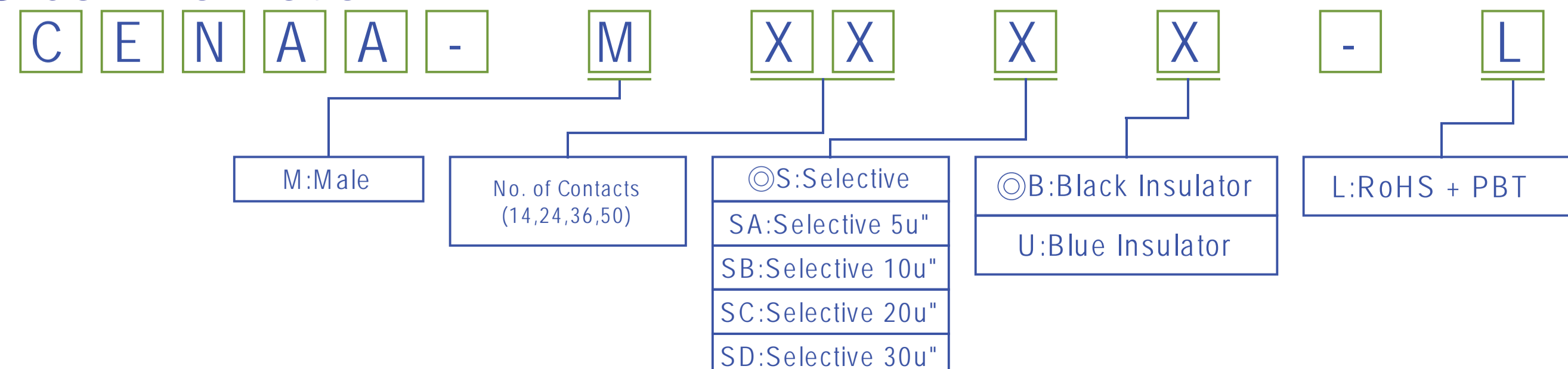
MATERIAL

Insulator:Polyester,UL 94V-0
 ◎Standard:PBT
 Contact Pin:Copper Alloy



Part No.	A±0.20	B±0.20	C±0.20	D±0.20	E±0.20	F±0.20
CENAA-M14	41.40	21.20	25.60	12.25	15.20	38.80
CENAA-M24	41.40	21.20	36.47	12.25	15.20	49.30
CENAA-M36	40.50	22.60	49.35	12.25	15.20	62.00
CENAA-M50	45.50	24.80	77.40	12.25	15.20	77.40

Order Information



Centronic Conn. Series



RoHS

AMTEK COMMUNICATIONS MANUFACTURING