

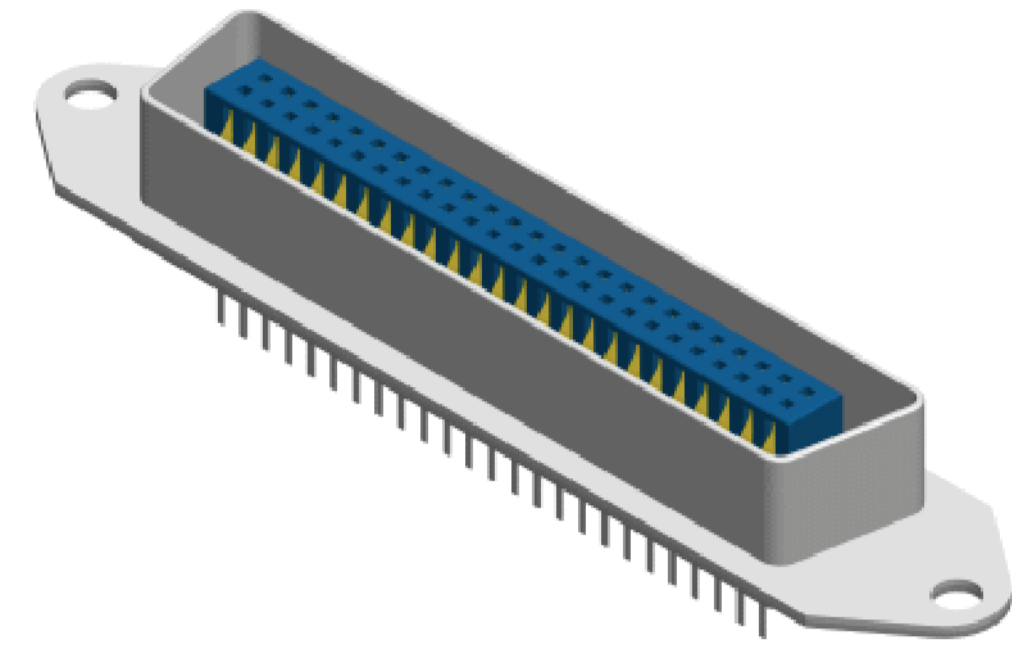
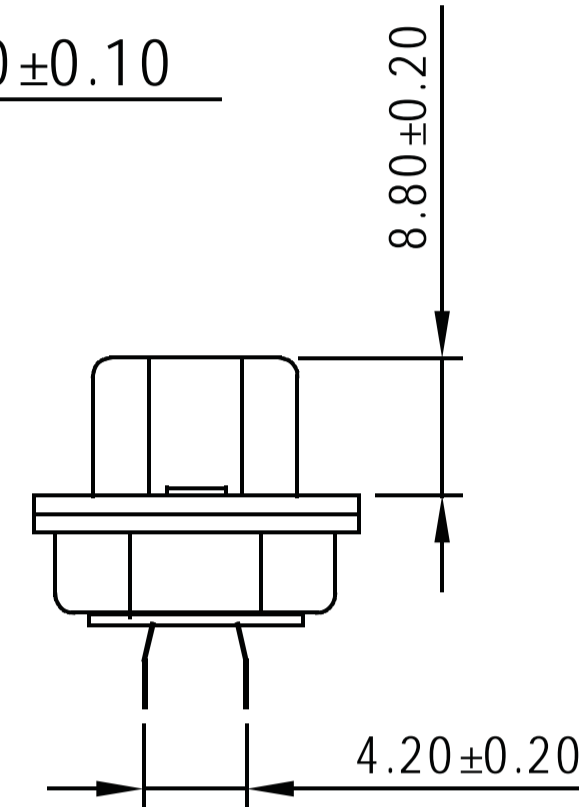
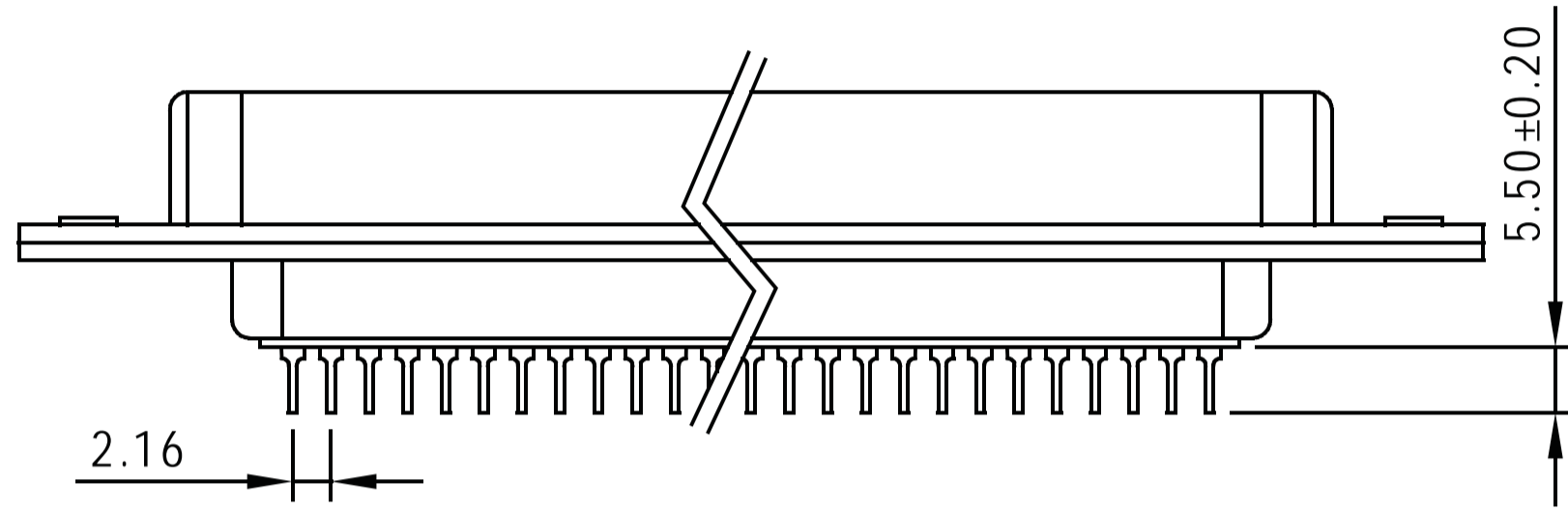
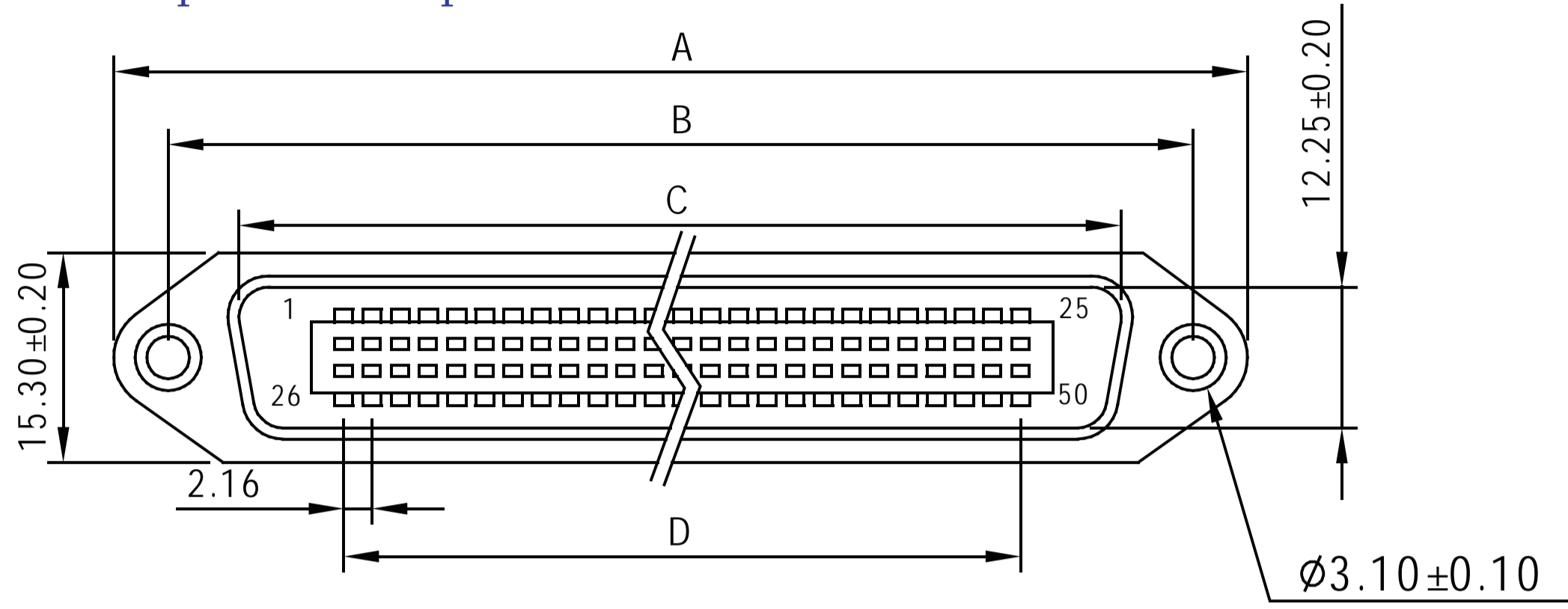
Centronic Straight Type

SPECIFICATION

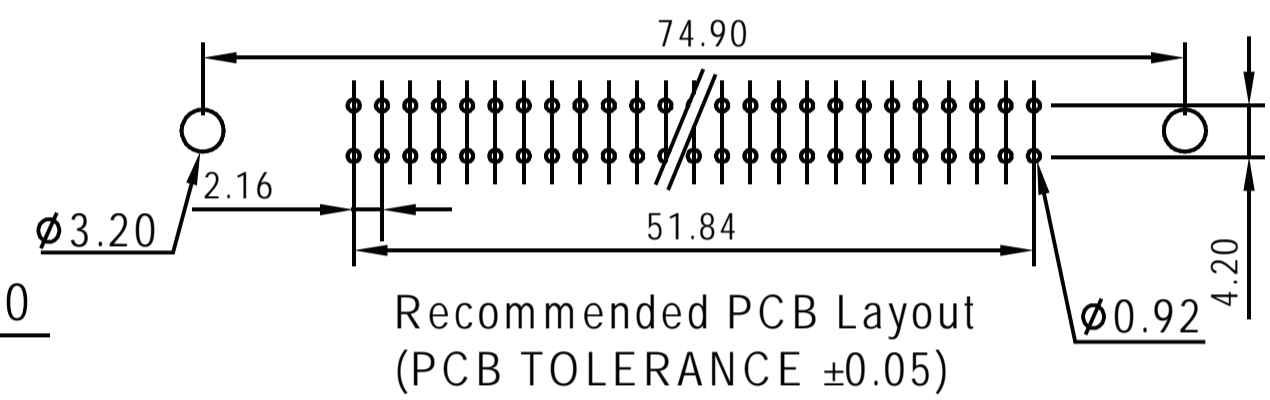
Current Rate:1 AMP
 Insulation Resistance:1000MΩ Min.
 Contact Resistance:30mΩ Max.
 Dielectric Voltage:500V AC for one minute
 Operation Temperature:-55°C to +105°C

MATERIAL

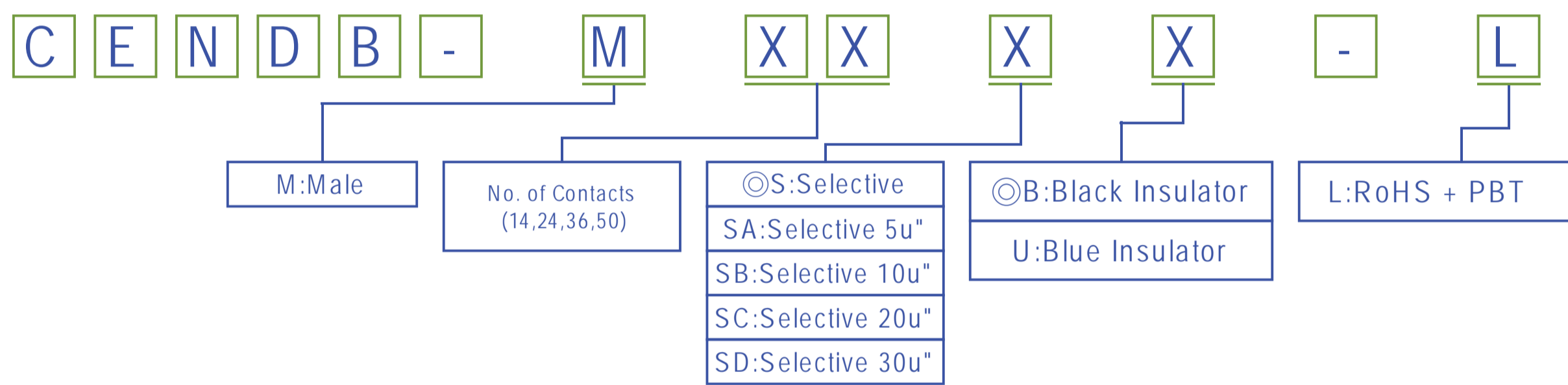
Insulator:Polyester,UL 94V-0
 ◎Standard:PBT
 Contact Pin:Copper Alloy



Part No.	A±0.20	B±0.20	C±0.20	D±0.20
CENDB-M14	43.90	36.00	25.50	12.96
CENDB-M24	54.70	46.80	36.30	23.76
CENDB-M36	67.70	59.70	49.30	36.72
CENDB-M50	82.80	74.90	64.40	51.84



Order Information



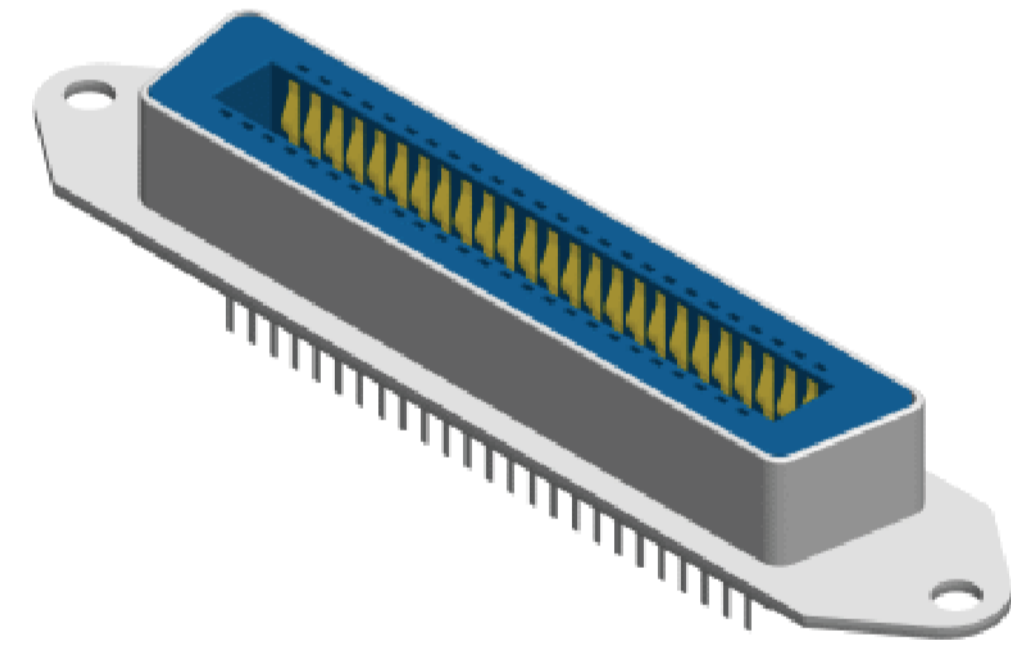
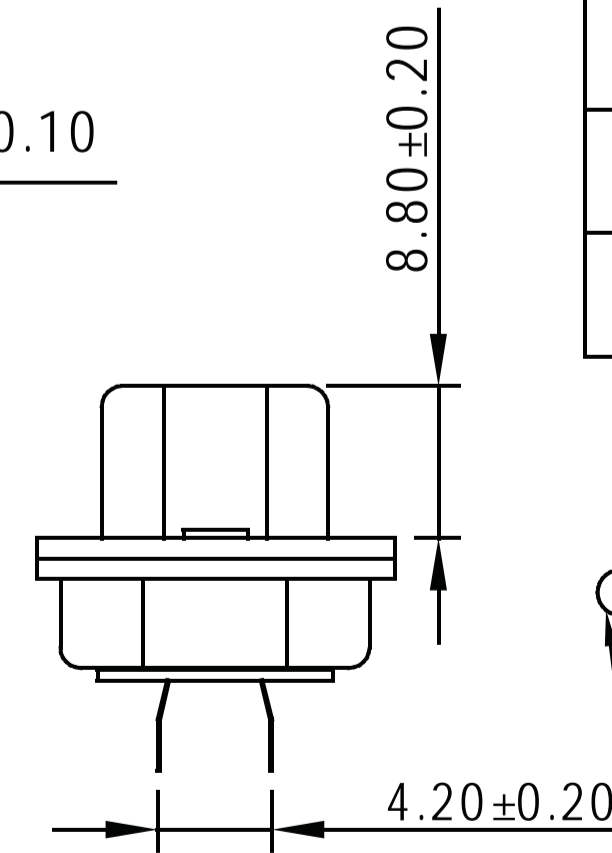
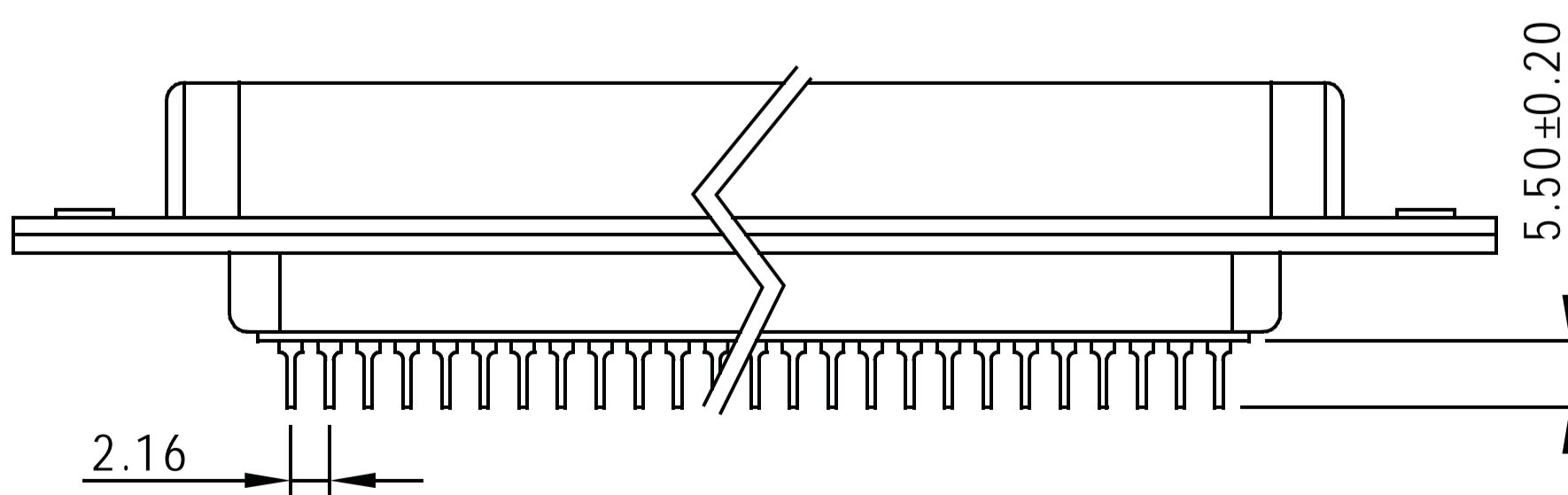
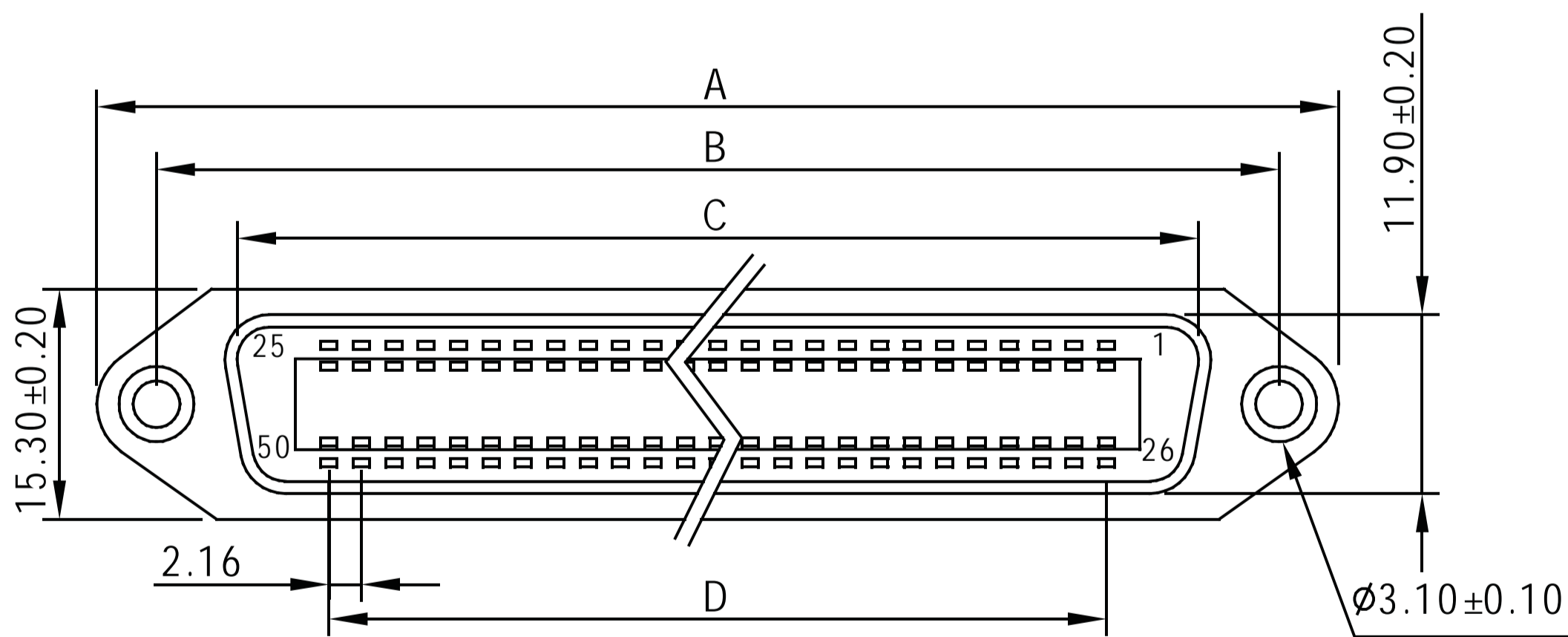
Centronic Straight Type

SPECIFICATION

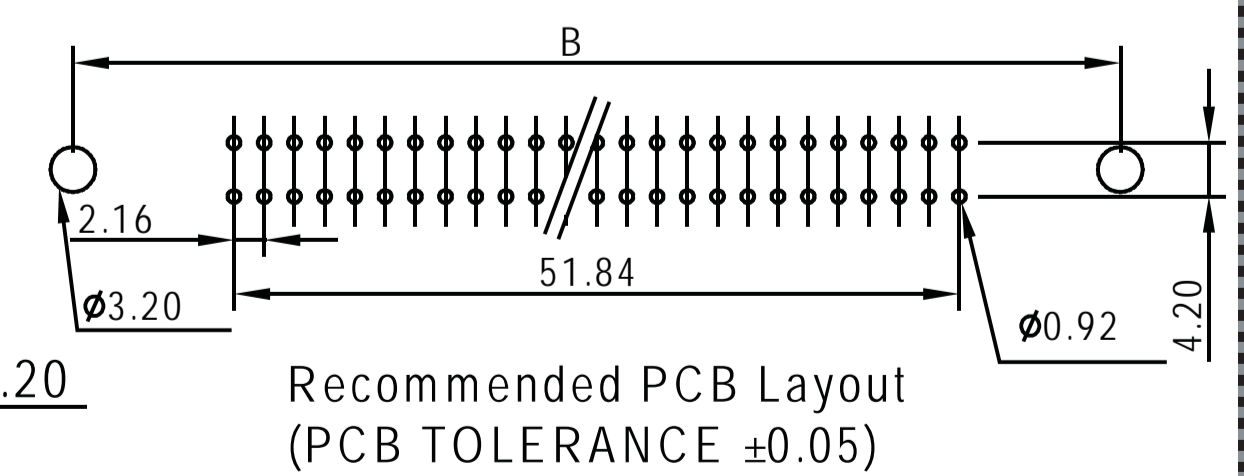
Current Rate:1 AMP
 Insulation Resistance:1000MΩ Min.
 Contact Resistance:30mΩ Max.
 Dielectric Voltage:500V AC for one minute
 Operation Temperature:-55°C to +105°C

MATERIAL

Insulator:Polyester,UL 94V-0
 ◎Standard:PBT
 Contact Pin:Copper Alloy



Part No.	A±0.20	B±0.20	C±0.20	D±0.20
CEND-F14-L	43.90	35.99	25.20	12.96
CEND-F24-L	54.71	46.79	36.00	23.76
CEND-F36-L	67.69	59.74	48.90	36.72
CEND-F50-L	82.78	74.85	64.00	51.84



Order Information

