

# CONNECTORS MANUFACTURER



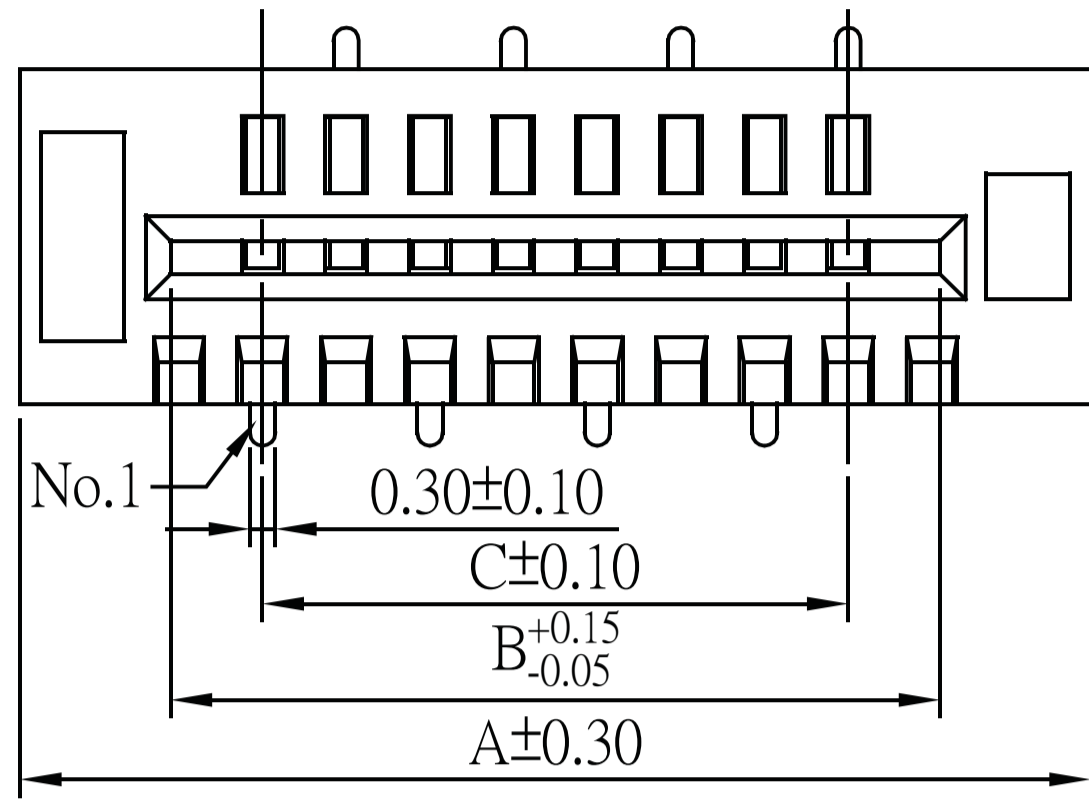
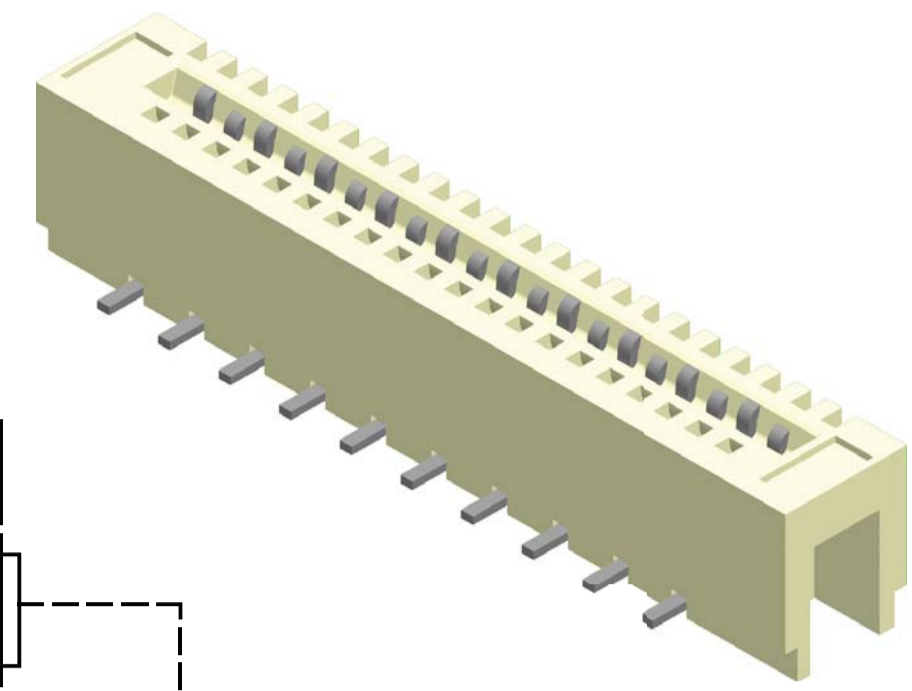
## FPC/FFC 1.0mm Non ZIF SMT Type Top Entry

### SPECIFICATION

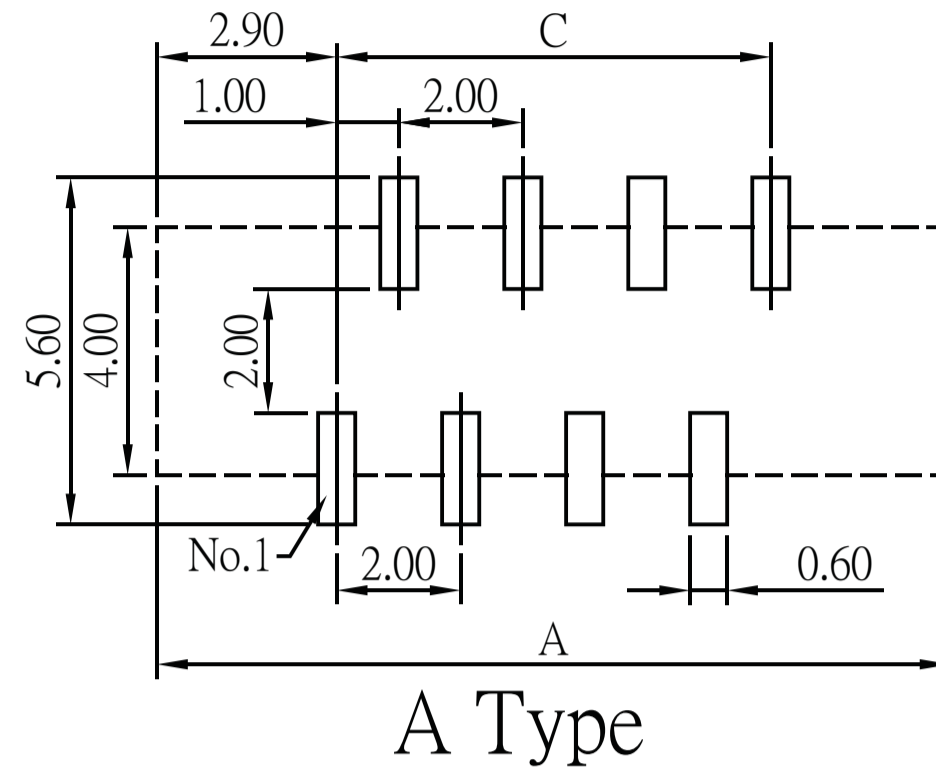
Current Rate: 0.5 AMP  
 Insulation Resistance: 500MΩ Min.  
 Contact Resistance: 30mΩ Max.  
 Dielectric Voltage: 500V AC for one minute  
 Operation Temperature: -40°C to +85°C

### MATERIAL

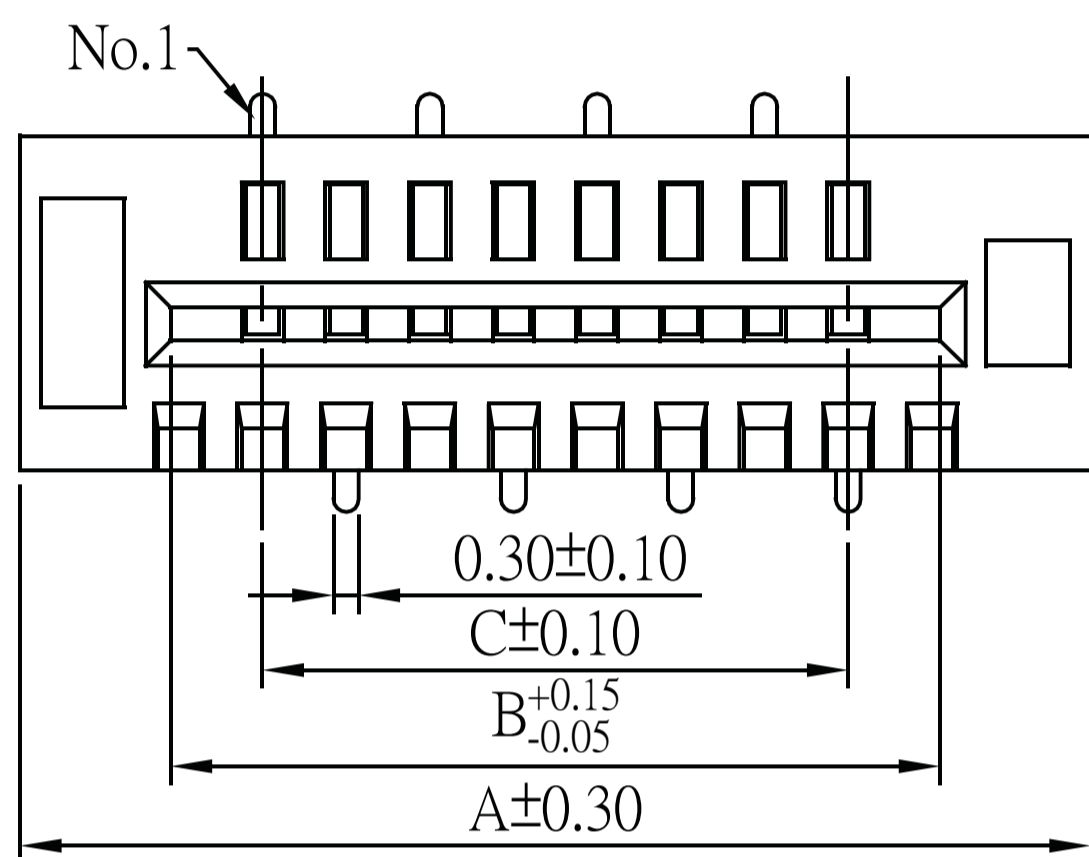
Insulator: Polyester, UL 94V-0  
 ◎Standard: Nylon 46  
 Contact Pin: Copper Alloy  
 Contact Plated: Tin Plated



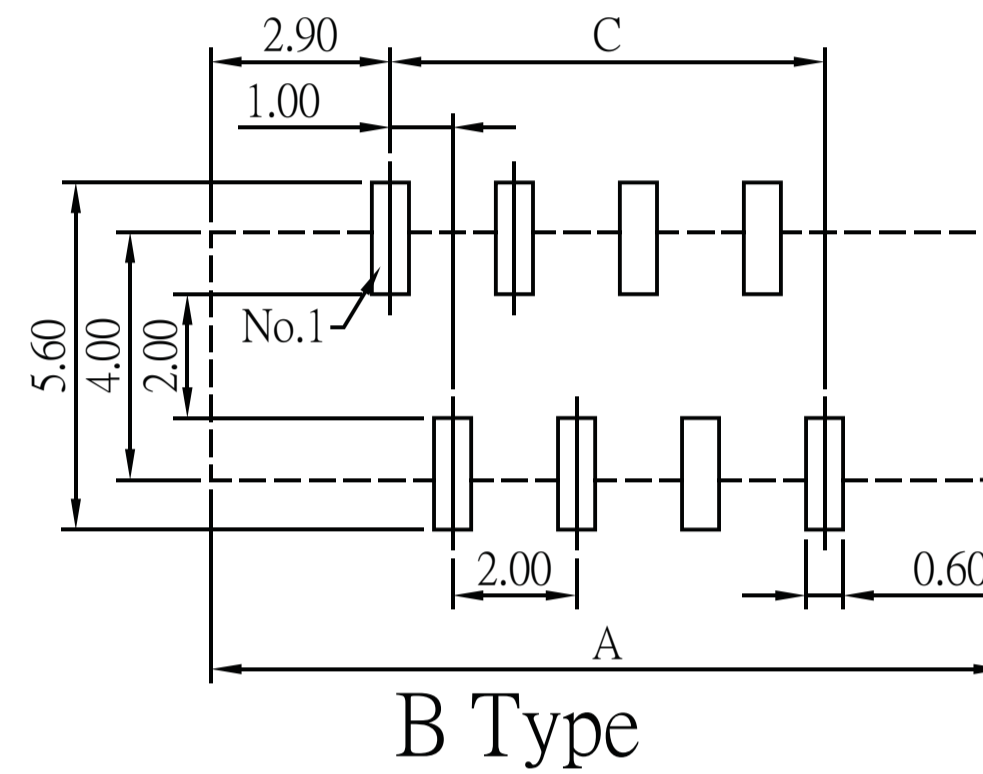
A Type



A Type

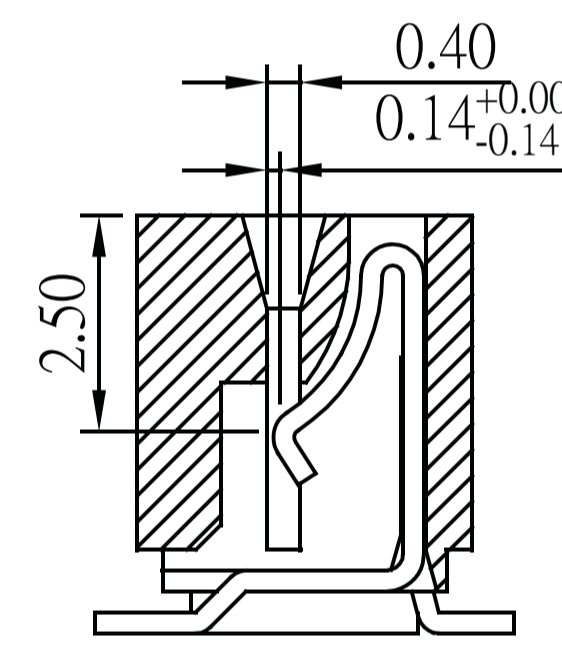
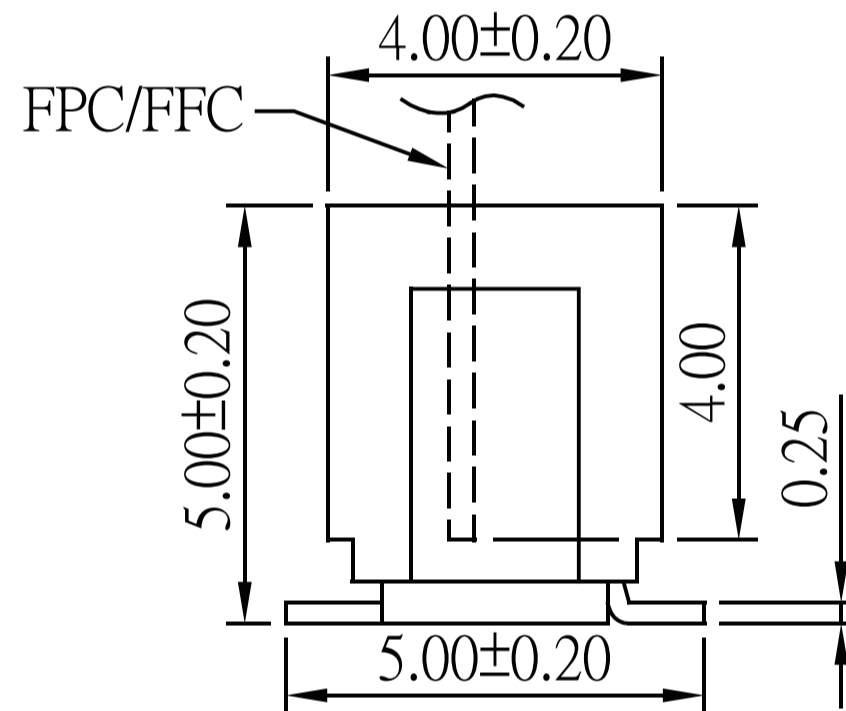
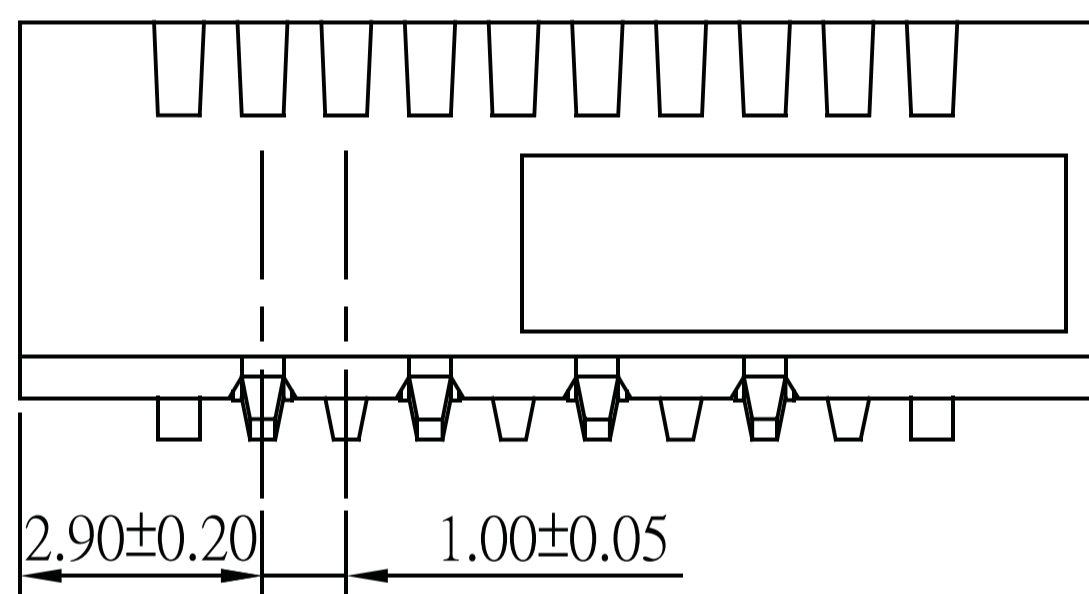


B Type



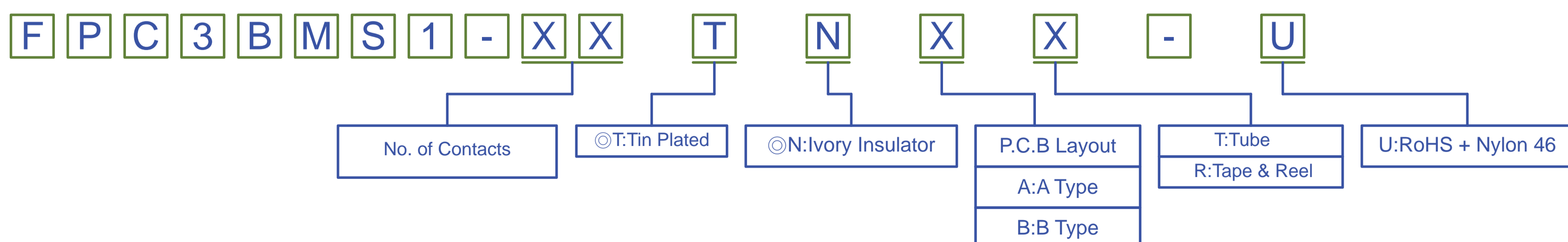
B Type

Recommended PCB Layout  
 (PCB TOLERANCE ±0.05)



No. of Contacts	Dimensions			No. of Contacts	Dimensions		
	A	B	C		A	B	C
04	8.80	5.20	3.00	19	23.80	20.20	18.00
05	9.80	6.20	4.00	20	24.80	21.20	19.00
06	10.80	7.20	5.00	21	25.80	22.20	20.00
07	11.80	8.20	6.00	22	26.80	23.20	21.00
08	12.80	9.20	7.00	23	27.80	24.20	22.00
09	13.80	10.20	8.00	24	28.80	25.20	23.00
10	14.80	11.20	9.00	25	29.80	26.20	24.00
11	15.80	12.20	10.00	26	30.80	27.20	25.00
12	16.80	13.20	11.00	27	31.80	28.20	26.00
13	17.80	14.20	12.00	28	32.80	29.20	27.00
14	18.80	15.20	13.00	29	33.80	30.20	28.00
15	19.80	16.20	14.00	30	34.80	31.20	29.00
16	20.80	17.20	15.00	31	35.80	32.20	30.00
17	21.80	18.20	16.00	32	36.80	33.20	31.00
18	22.80	19.20	17.00				

## ORDER INFORMATION



FPC/FFC Conn.



RoHS

AMTEK COMMUNICATIONS MANUFACTURING