

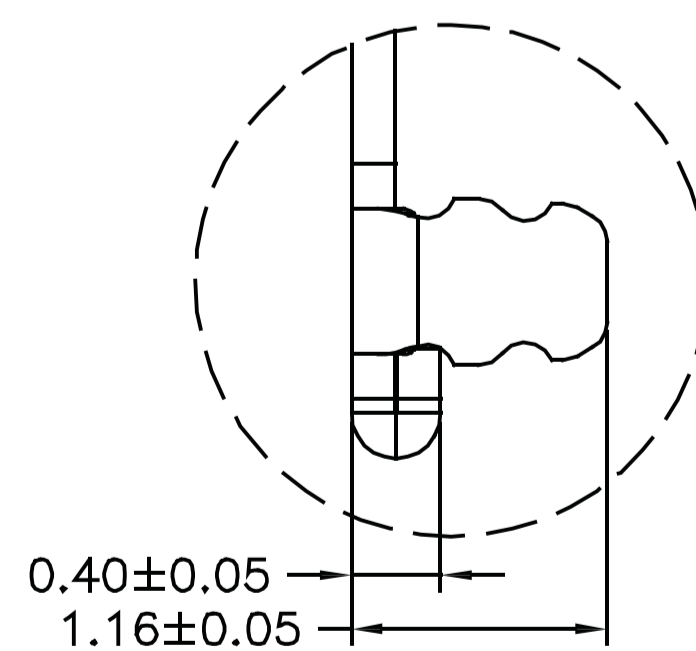
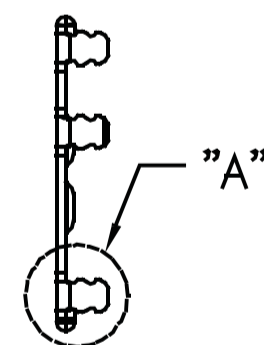
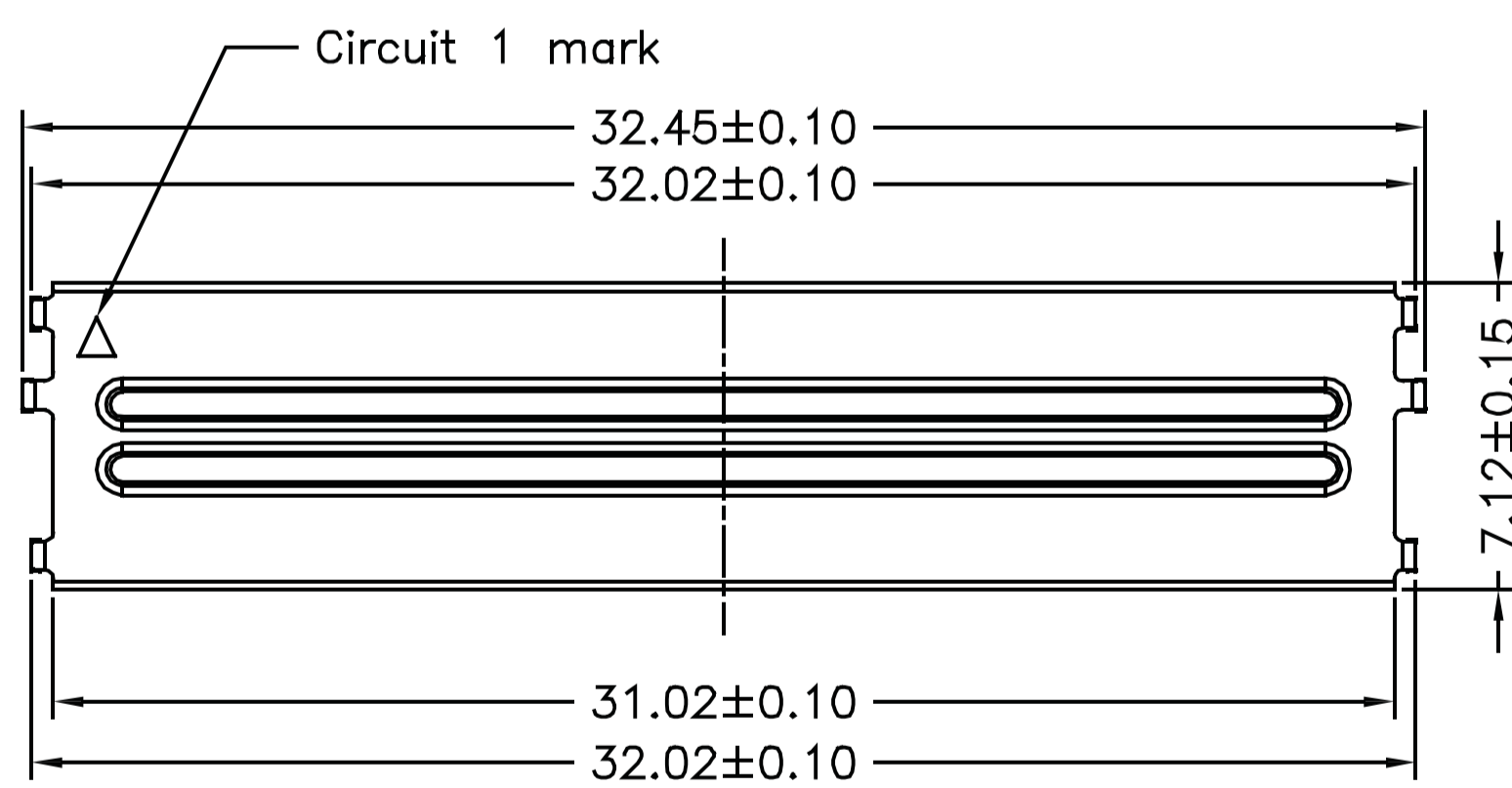
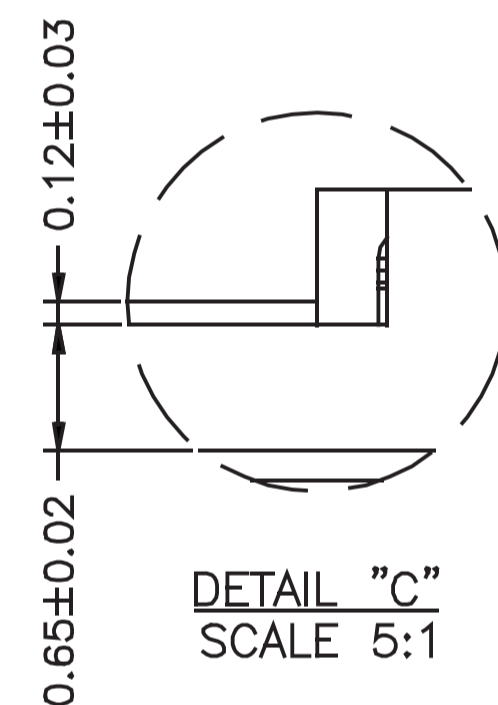
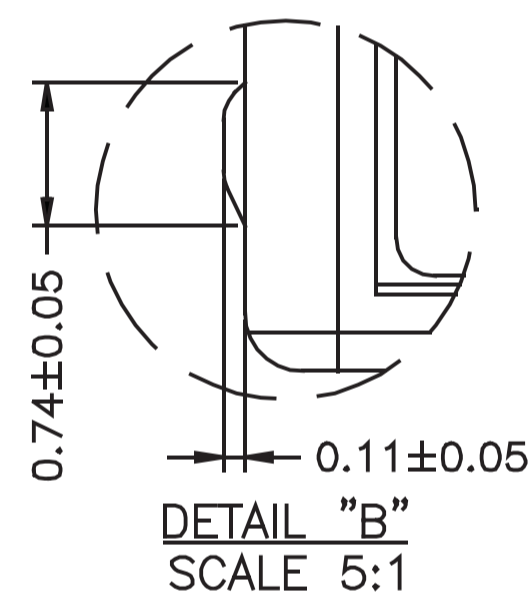
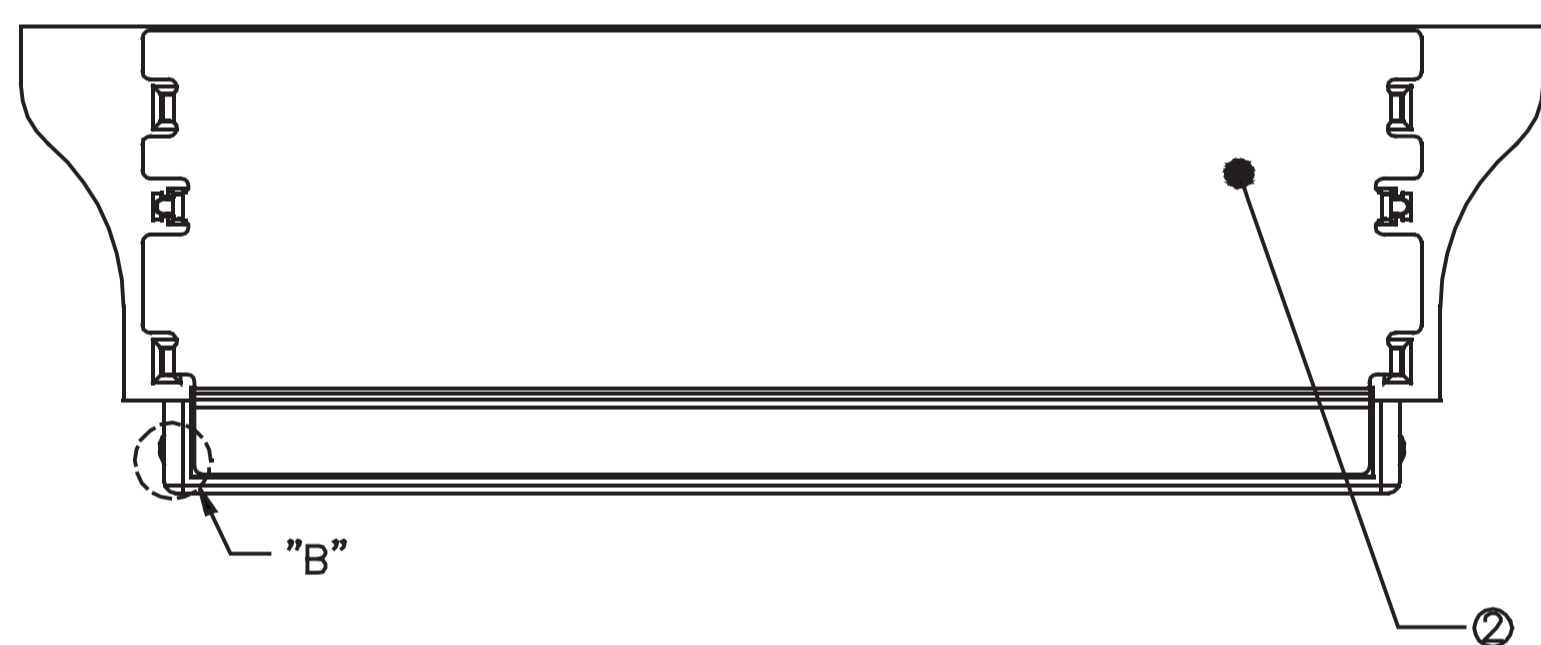
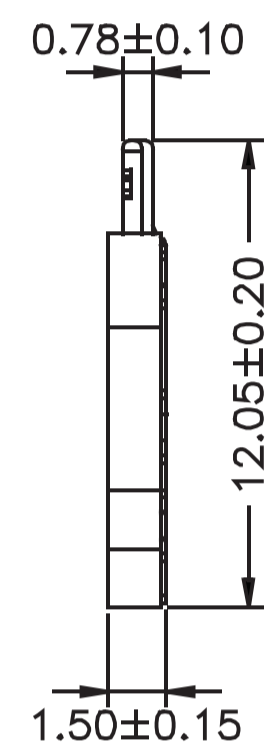
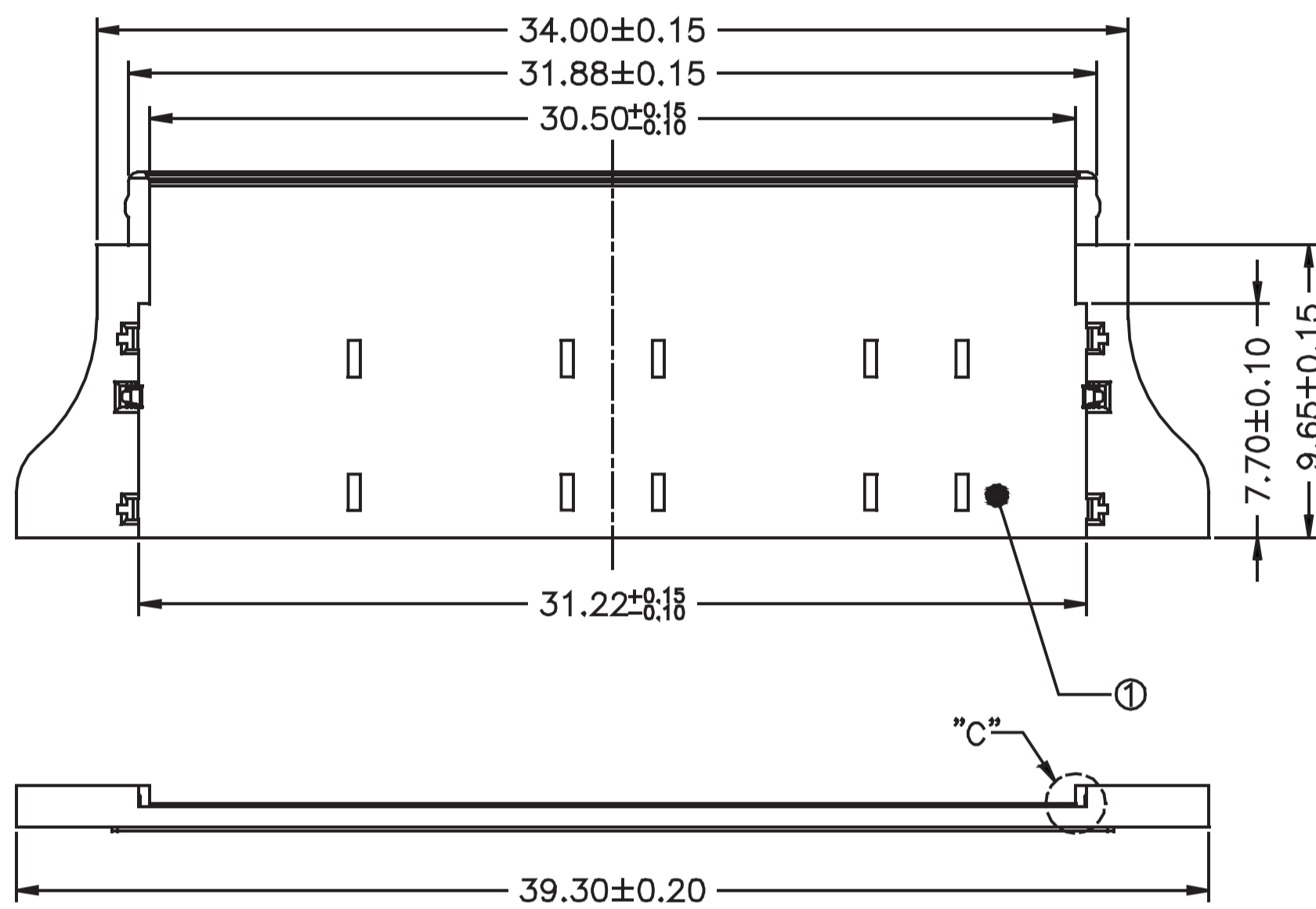
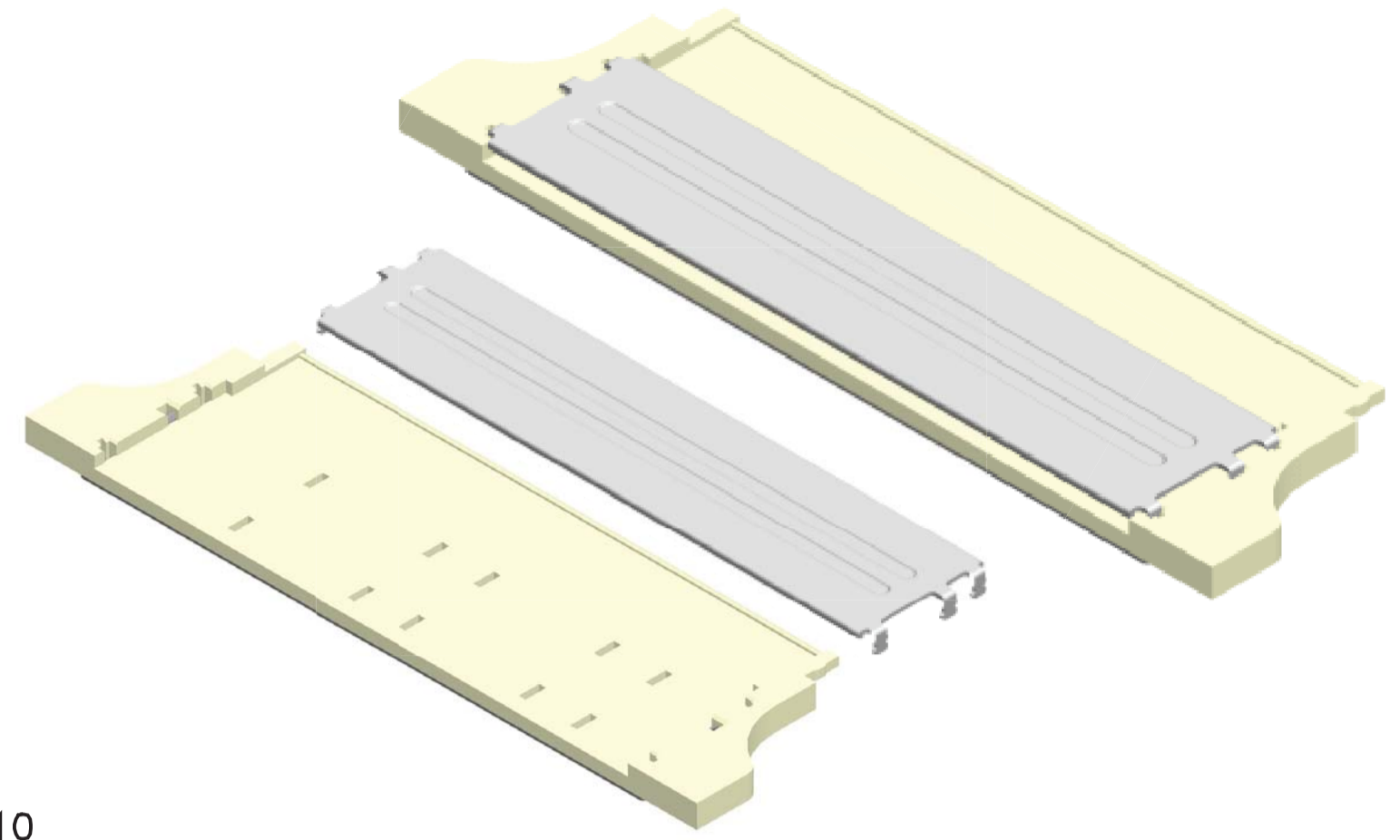
CONNECTORS MANUFACTURER



1.0mm Housing

SPECIFICATIONS

Current Rating: 0.7A AC,DC
 Voltage Rating: 100V AC,DC
 Temperature Range: -25°C ~ +85°C
 Contact Resistance: 50mΩ Max.
 Insulation Resistance: 100MΩ Min.
 Withstanding Voltage: 500V AC/minute



DETAIL "A"
SCALE 5:1

Part No.:1010H-30W-L

No.	Part No.	Description	Material	Color
1	1010H-30W-L	Insulator	Nylon 46,UL94V-0	Natural(Beige)
2		Ground plate	Stainless	---
3	TC1010H-T-30P-QS0	Top cover	Stainless	---

Housing wafer Terminal



RoHS

AMTEK CONNECTOR MANUFACTURER