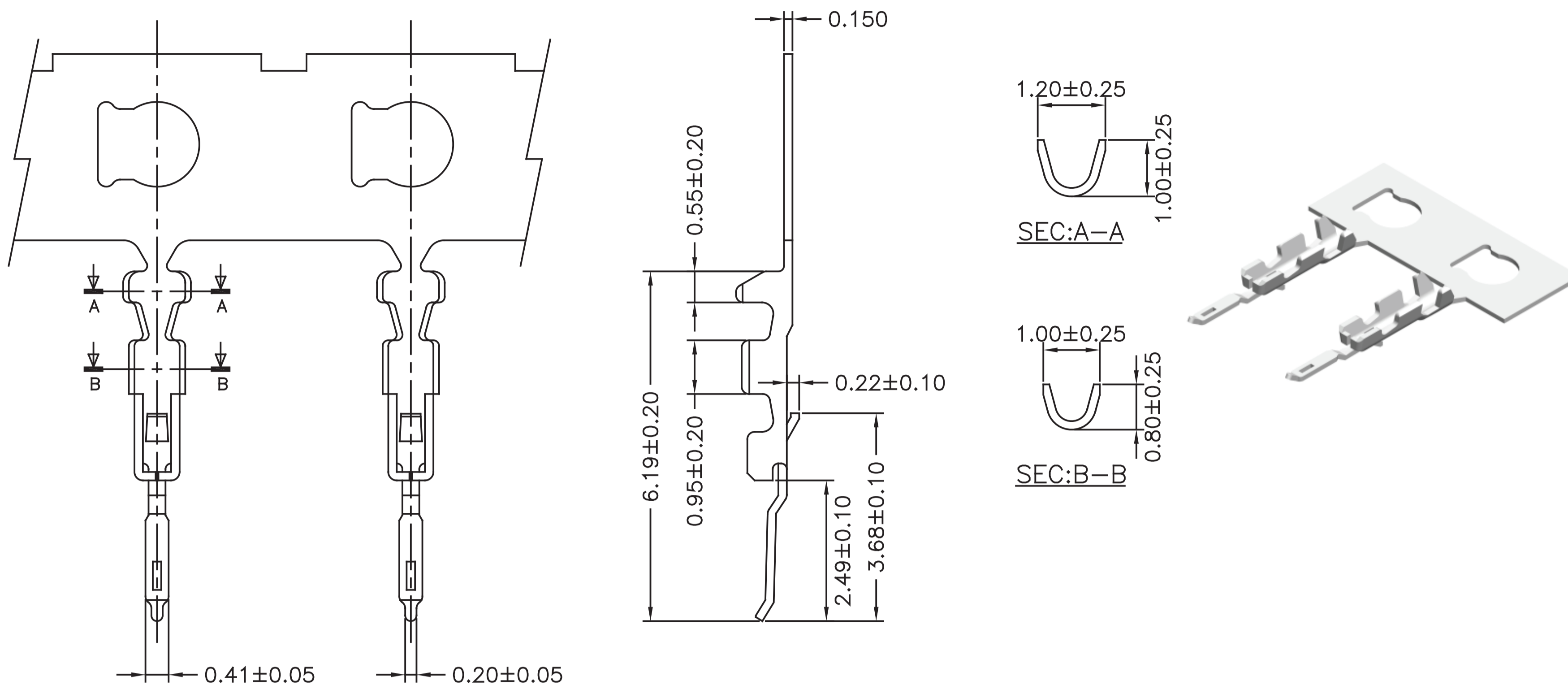


1.0mm Terminal / Housing

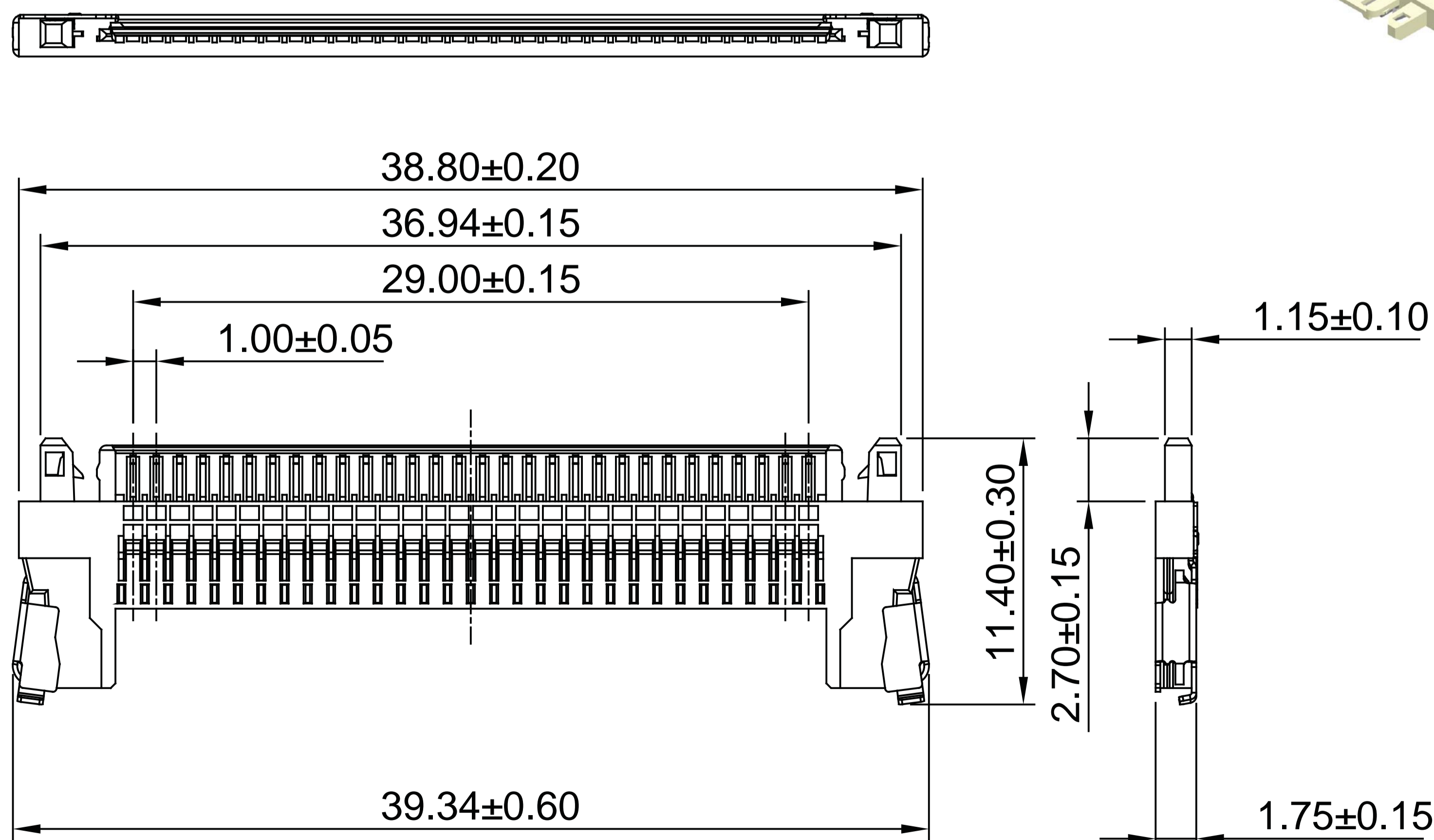
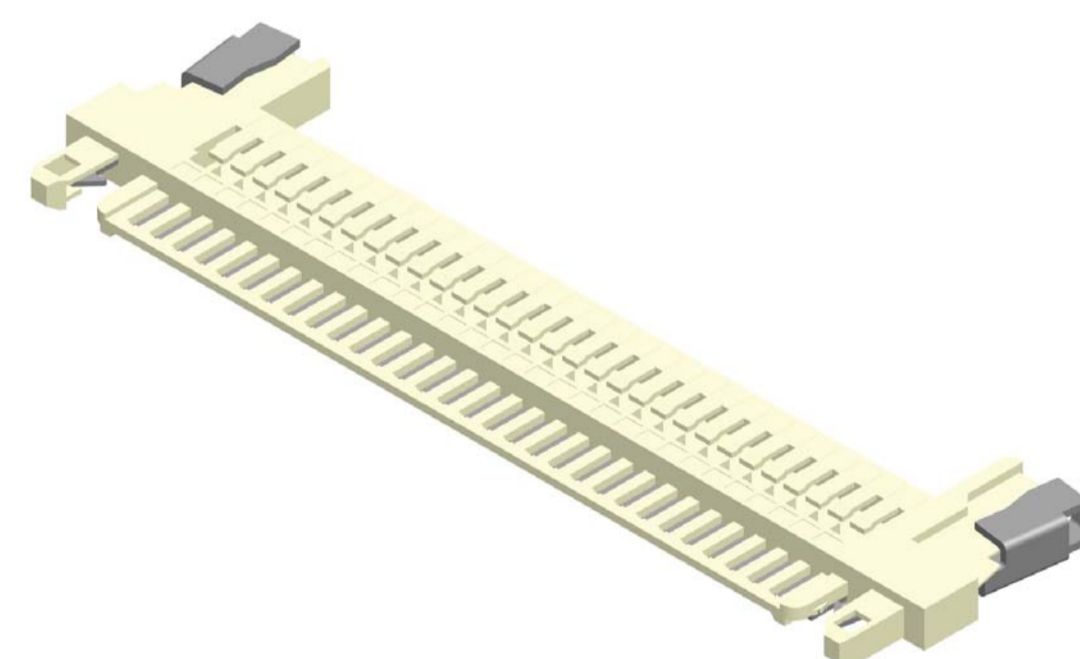


Part No.:1002-T-L

Wire Range	Insulation O.D.	Material	Finish	Qty/reel
AWG#28-#36	0.50mm(max)	Phosphor Bronze	Gold-flash	15,000pcs

SPECIFICATIONS

Current Rating: 1A AC,DC
 Voltage Rating: 200V AC,DC
 Temperature Range: -25°C to +85°C
 Contact Resistance: 40mΩ Max
 Insulation Resistance: 100MΩ Min
 Withstanding Voltage: 500V AC/minute
 Material:Nylon 46,UL94V-0



Part No.:1004H-30W-U