

CONNECTORS MANUFACTURER



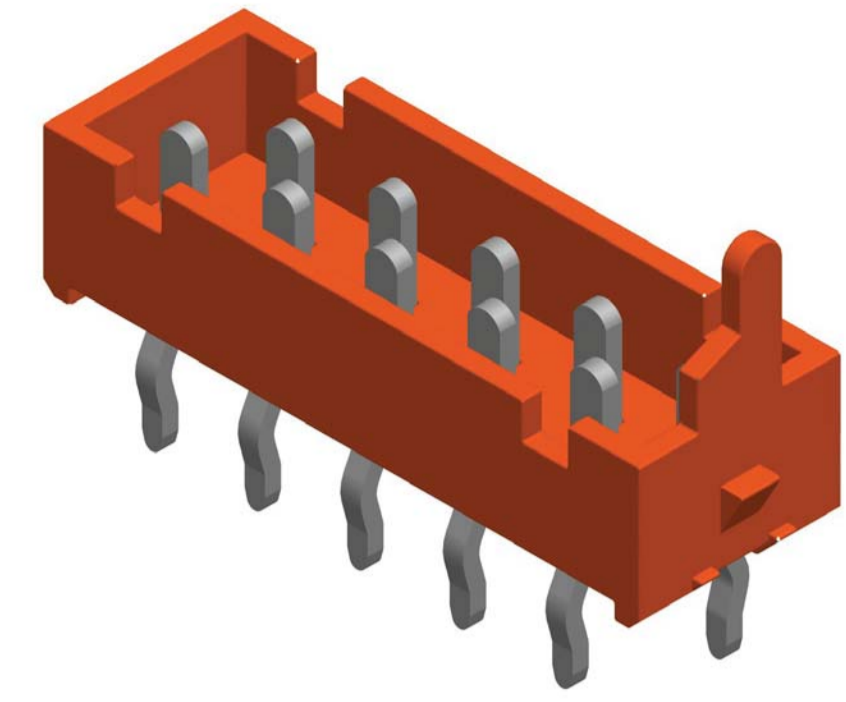
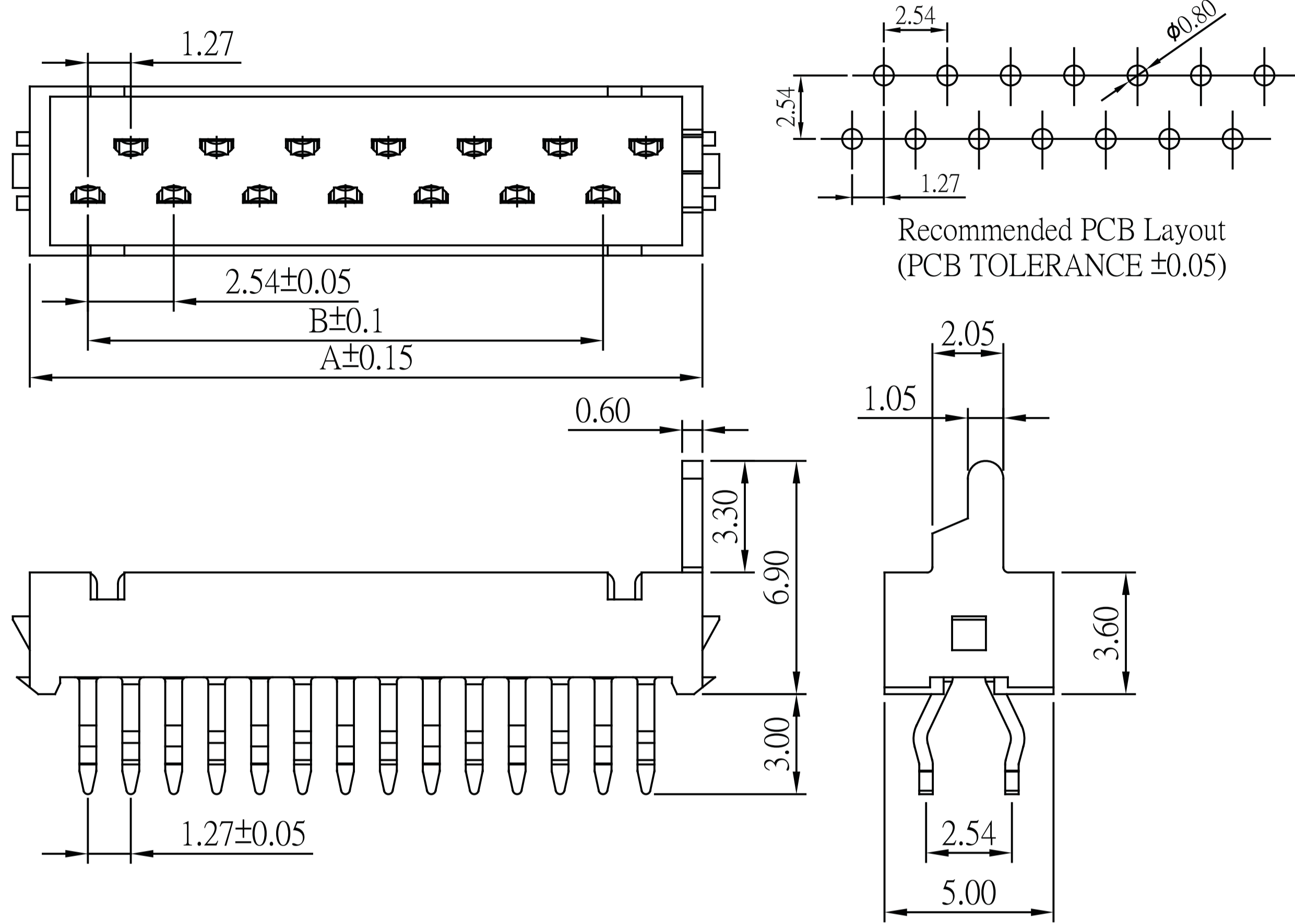
Mini Match Male Straight Type

SPECIFICATION

Current Rate:1.0 AMP
 Insulation Resistance:100MΩ Min
 Contact Resistance:20mΩ Max
 Dielectric Voltage:500V AC for one minute
 Operation Temperature:-40°C to +105°C

MATERIAL

Insulator:Polyester,UL 94V-0
 ©Standard:Nylon 46
 Contact Pin:Copper Alloy



No. of Contacts	Dim. A	Dim. B
4	7.20	2.54
6	9.74	5.08
8	12.28	7.62
10	14.82	10.16
12	17.36	12.70
14	19.90	15.24
16	22.44	17.78
18	24.98	20.32
20	27.52	22.86

Part No.:MIMS-MXX-U

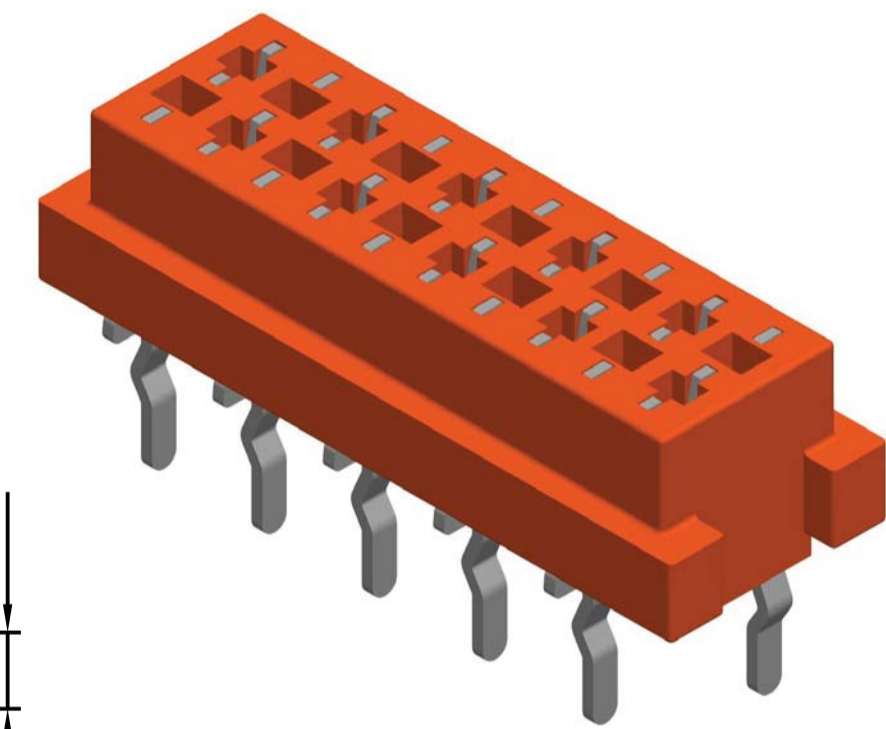
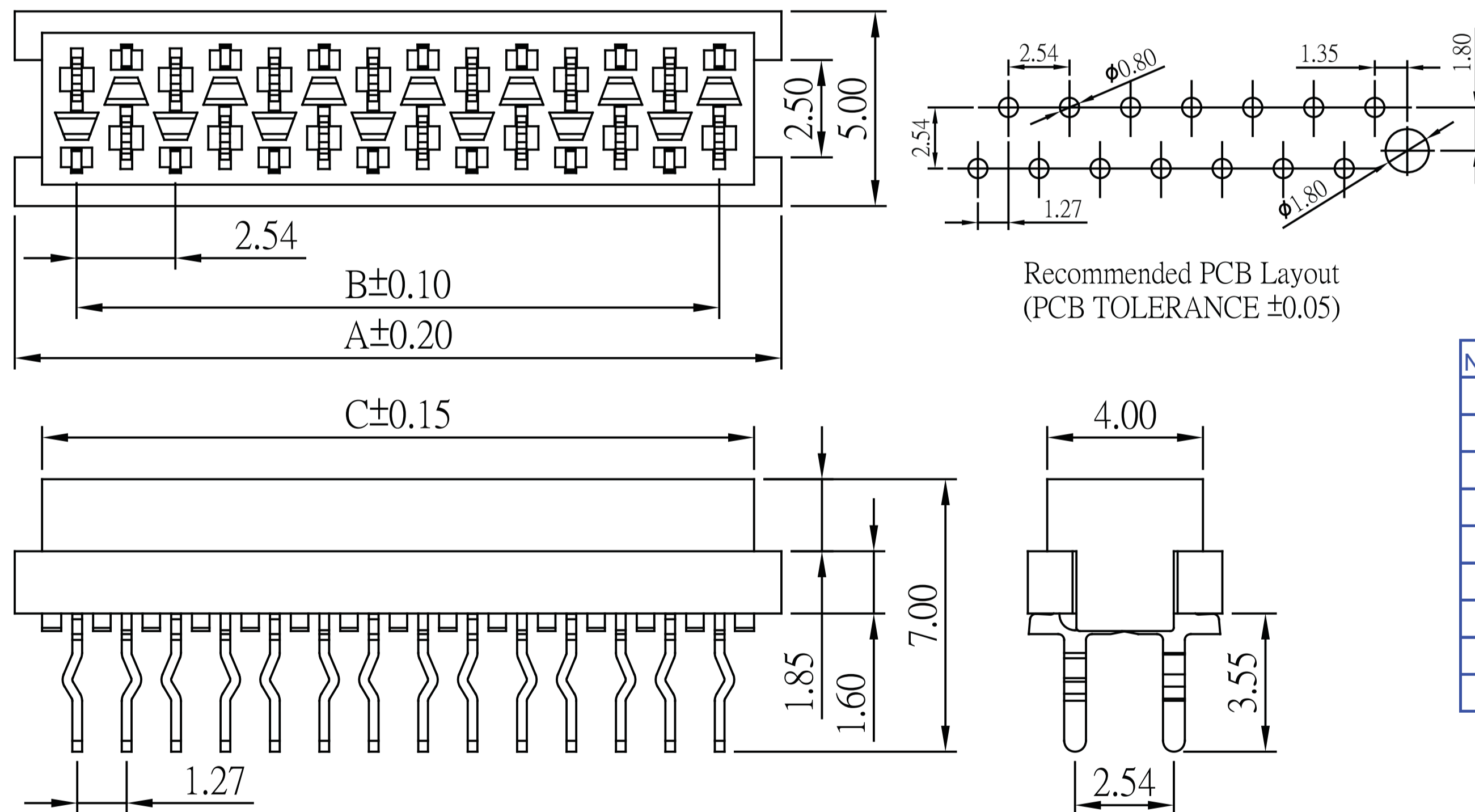
Mini Match Female Straight Type

SPECIFICATION

Current Rate:1 AMP
 Insulation Resistance:100MΩ Min
 Contact Resistance:20mΩ Max
 Dielectric Voltage:500V AC for one minute
 Operation Temperature:-40°C to +105°C

MATERIAL

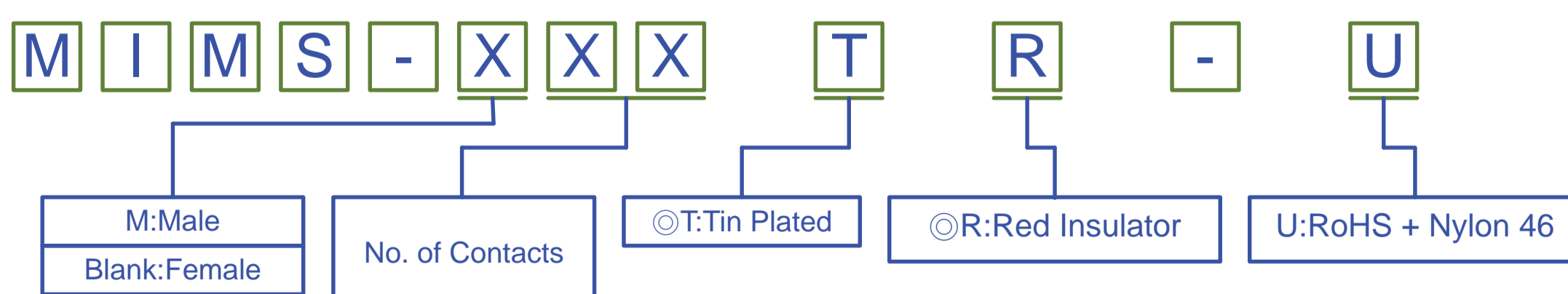
Insulator:Polyester,UL 94V-0
 ©Standard:Nylon 46
 Contact Pin:Copper Alloy



No. of Contacts	Dim. A	Dim. B	Dim. C
4	7.00	3.81	5.60
6	9.54	6.35	8.14
8	12.08	8.89	10.68
10	14.62	11.43	13.22
12	17.16	13.97	15.76
14	19.70	16.51	18.30
16	22.24	19.05	20.84
18	24.78	21.59	23.38
20	27.32	24.13	25.92

Part No.:MIMS-XX-U

ORDER INFORMATION



Mini Match

RoHS

AMTEK CONNECTOR MANUFACTURER